



INTERACTIVE WHITEBOARD



Owner's Manual

Table of Contents

What's In The Box	2
QOMO Whiteboard System Requirements	3
Introduction	4
Whiteboard Software Features.....	5
How to Install Hardware.....	6
How to Install Software	15
How to Use Whiteboard Annotation Software.....	20
Troubleshooting Guide	21
QOMO Interactive Whiteboard User Tips	23
Specifications	24
Technical Support	28

What's In The Box

Thank you for your purchase of the QOMO Interactive Whiteboard. If any items are missing or damaged, please contact your authorized reseller immediately.

CONTENTS:

White Board * 1 pc	Writing Pen *3 pc
USB Cable 49 ft (7.5m) * 1 pc	Erase * 1 pc
Installation CD * 1 pc	Floor Stand (Optional) *1 set
Warranty Card * 1 pc	Castor (Optional) * 1 set
Pen Tray (Optional) * 1 pc	Wall-mounting Bracket (Optional) * 1 set

QOMO Whiteboard System Requirements

Lowest Environmental Requirements:

- CPU: 300MHzx86
- Memory: 128M
- Display Card: Support 256 or above
- Hard Disk: 100M
- Screen Display Resolution: 800x600、1024x768、1280x1024
- USB1.1 port

Recommended:

- CPU: 1GHzx86
- Memory: 256M or above
- Display Card: Support 256 or above
- Hard Disk: 500M
- Screen Display Resolution: 1024x768 、1280x1024
- USB port

Software Running Environment: Microsoft Windows 2000/XP/

32 bits vista

Introduction

QOMO's Interactive Whiteboard uses infrared technology. Working seamlessly with a projector and computer, the QOMO Interactive Whiteboard provides more convenient, interactive and effective presentations. Perfect for school auditoriums, conference rooms, trade shows, symposiums and lecture halls. Users can write on the screen using the included pens, wand or the user's finger.

- **Writing:** Write, draw and perform mouse functions with your finger. The Whiteboard displays your penmanship instantaneously.
- **Annotating:** The user can operate and annotate over any computer applications, or save notes directly into Flow! Software, including PowerPoint, Word, Excel, MPEG JPEG, AVI and etc.
- **Interacting:** In video conferencing, both parties can share data and write in real time just like a standard conference room. Once integrated with Polycom or other video conferencing systems, using QOMO's Interactive Whiteboard can improve video conference results and efficiency. The system can support up to 40 writing locations.
- **Touch System:** QOMO Interactive Whiteboard is sensitive to touch speed and can be used as a high-resolution interactive white board.
- **Touch Recognition:** Can recognize touch of a single-finger, certain gesture, right-click, left-click and double click.
- **Hot Keys:** Hot keys located on the side(s) of the boards providing quick access to frequently used keys.
- **Energy conservation:** Controls energy consumption within 0.5W. No need for additional power supply.

Whiteboard Software Features:

- Designed for teaching and conference systems.
- High gain and low glare screen.
- Saves images in Vector image format. Vector images take up less storage space and makes file transferring easier and faster
- Users can customize pen type, line width, and color schemes to fit their individual preferences.
- Powerful screen functions supports real-time editing
- Graphic tools allow users to choose a background, input graphics and images.
- Paintbrush pen is speed sensitive
- Writing file allows for easy conversion to many other formats such as: PDF, JPG, GIF, PNG, TIFF, BMP, etc.
- Graphic tools and Hot Keys allow users to choose a pen to annotate, or use as a mouse control. The 12 Hot Keys function as: Page Up & Down, Insert White Background, Insert Black Background, Select Pen Size, Eraser, Save and Cancel.
- Supports other application software.

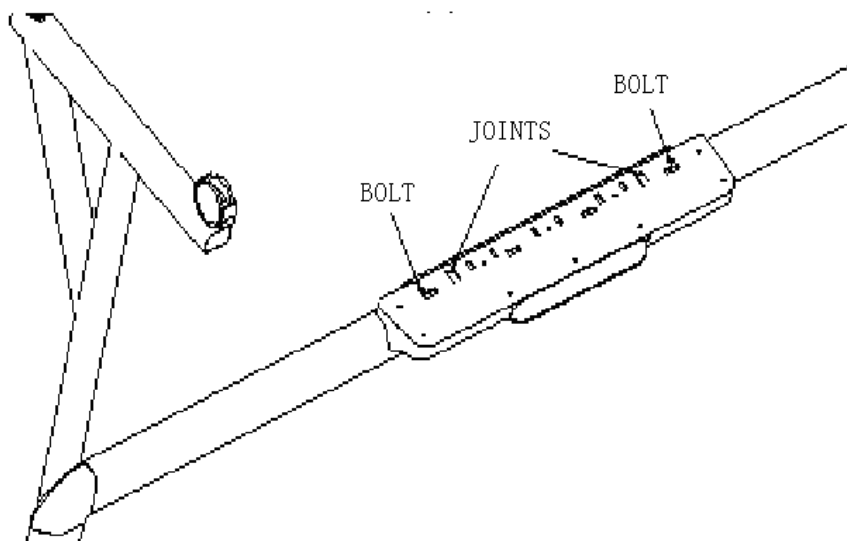
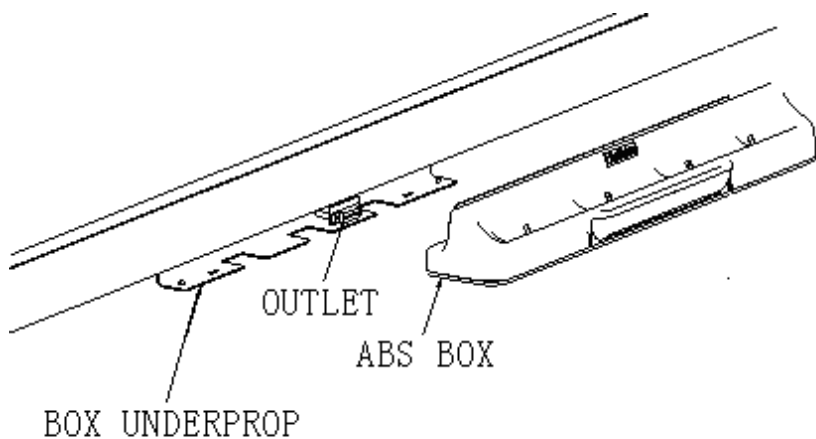
Note: The projection area is outlined at the upper left and lower right corner of the board using these icons (“┌”、“└”) . Please project onto this area for best results.

How to Install Hardware

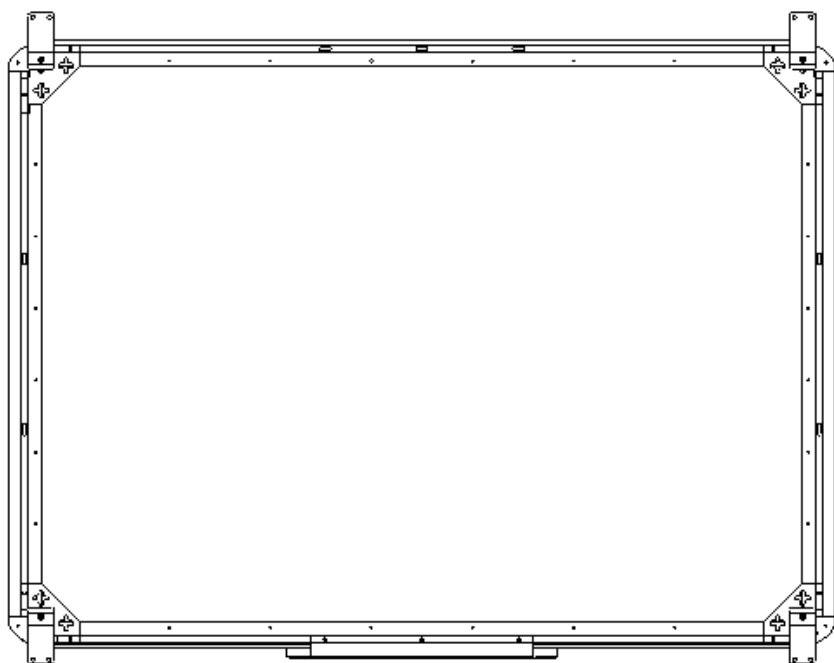
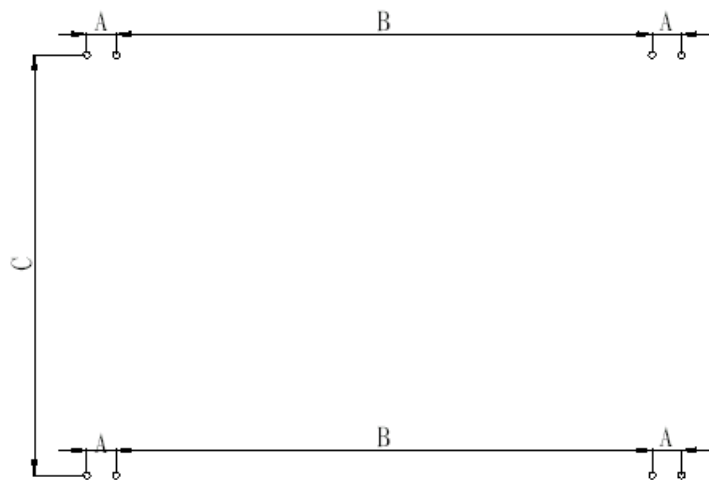
1. How to install QWB56/200/300/100WS hardware



Install Pen Tray: In the frame of the board, prior to securing the pen tray you will find a slot that accommodates a Kensington lock. If you would like to use a Kensington lock insert and loop the cable through the center hole on the frame, position the pen tray in line with the four screws, and then screw the pen tray in place. (Shown below)

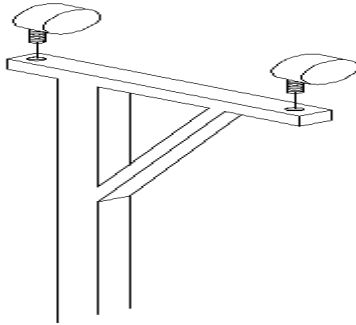


Install Wall-mounting: Set desired height according to user's preferences. Using the wall-mounting brackets as a template, place the 8 stilettoes on the wall and screw bolts into each hole. Align the wall-mounting brackets onto the bolts and tighten the bolts. Check that each location hole faces each corresponding bolt and hang the white board to the wall. (As shown below)

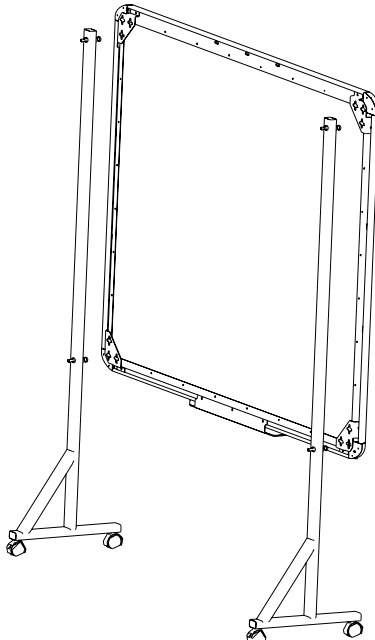


Install White Board on a Floor Stand:

(1) Lock all four casters in the down position (as shown)



(2) With an assistant's help, hang Interactive whiteboard on the floor stand by lowering the two bolts onto the top hooks and securing the bottom bolts into the bottom hooks. There are two heights for hanging according to user's preferences. (as shown below)

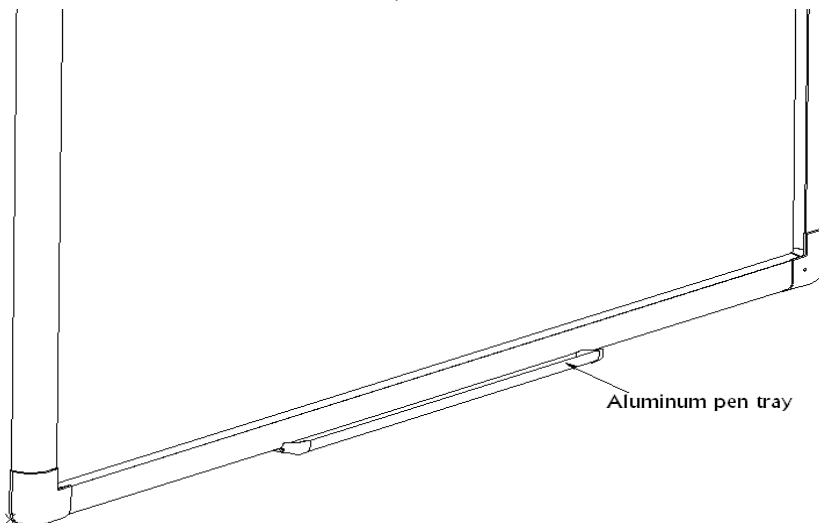


2. How to install QWB200 SLIM /300 SLIM Hardware

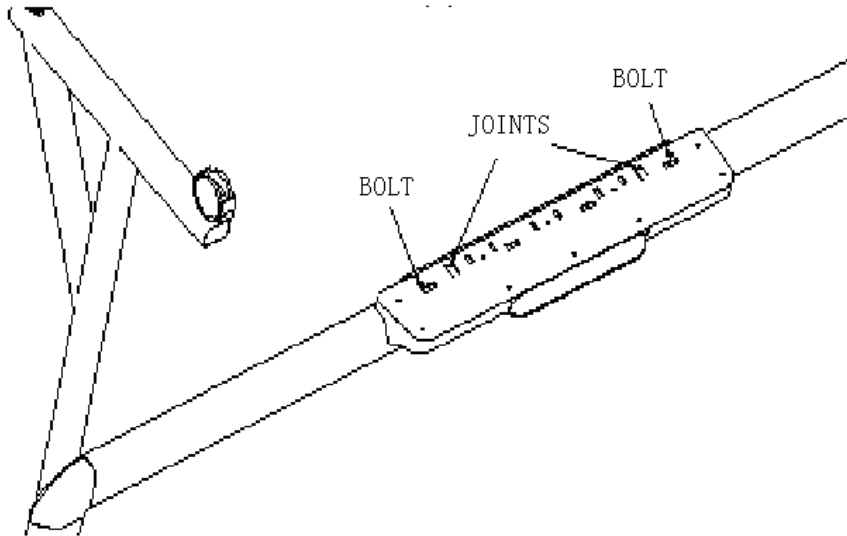
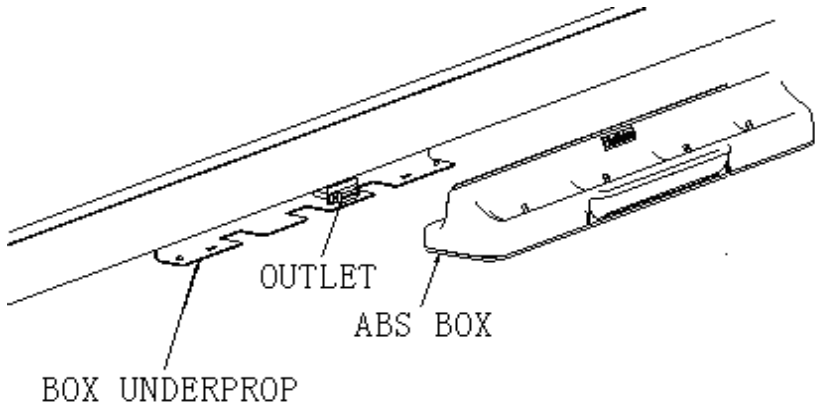


Install Securing Pen Tray:

White color frame with aluminum pen tray: Install aluminum pen tray at the bottom of the interactive whiteboard (with the screws at the bottom of the back of the interactive whiteboard) shown below:

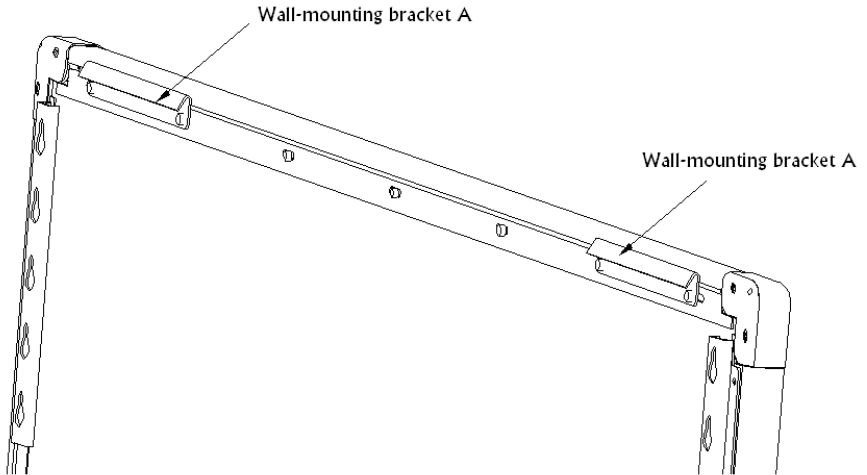


Grey color frame with pen tray: In the frame of the board, prior to securing the pen tray you will find a slot that accommodates a Kensington lock. If you would like to use a Kensington lock insert and loop the cable through the center hole on the frame, position the pen tray in line with the four screws, and then screw the pen tray in place. (Shown below)

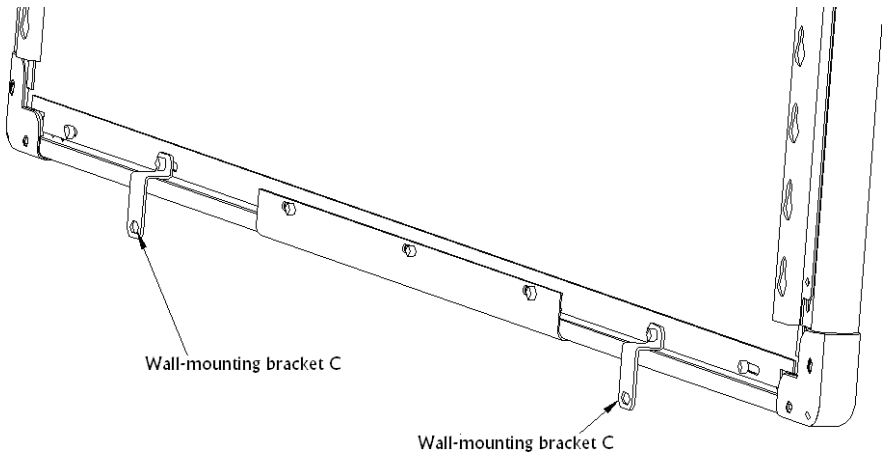


Install Wall-mounting:

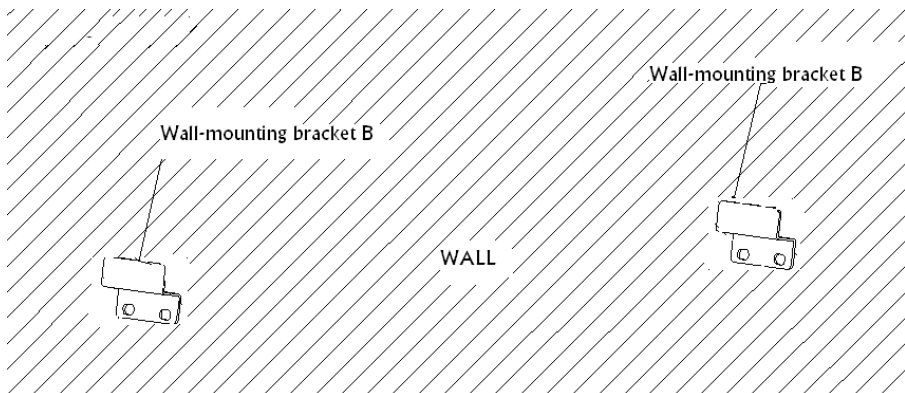
(1) Install two wall-mounting brackets A at the back of the interactive whiteboard (with the four screws at the top of the back of the interactive whiteboard), shown below:



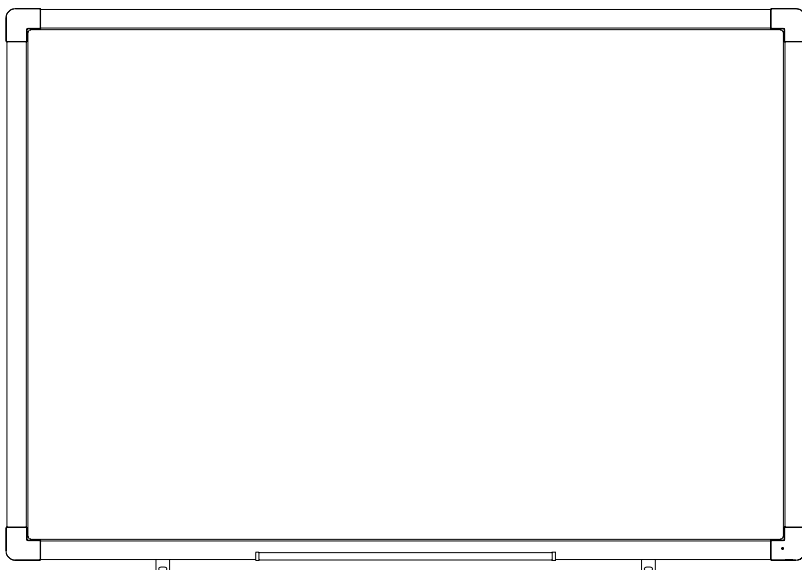
(2) Install two wall-mounting brackets C at the back of the whiteboard (with the two screws at the bottom of the back of the whiteboard), shown below:



Set desired height according to user's preference. Place the 4 stilettoes on the wall and screw bolts into each hole to fix the wall-mounting brackets B. Make sure the distance between the two wall-mounting brackets B is fit for hanging the interactive whiteboard. Shown below:

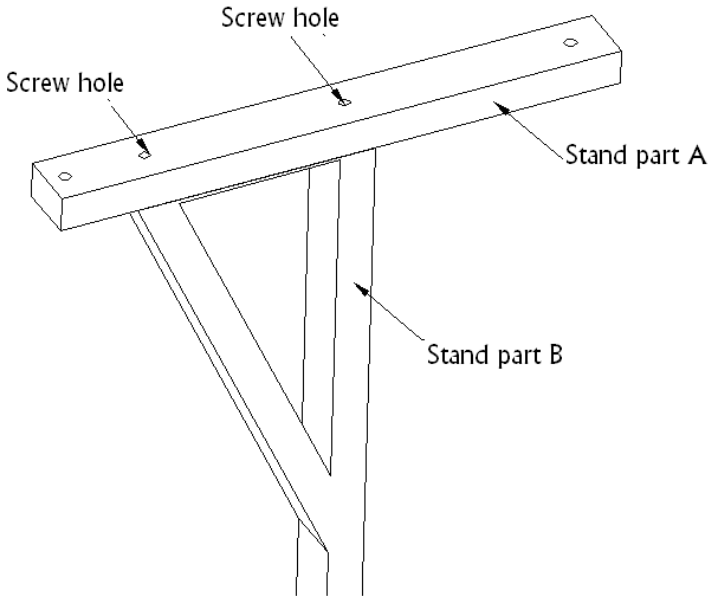


After hanging the whiteboard, place 2 stilettoes on the wall according to the actual position and screw bolts into each hole to fix the wall-mounting brackets C. shown below:

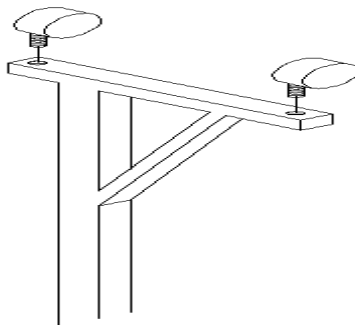


Install White Board on a Floor Stand:

(1) Assemble the stand with screws, shown below:



(2) Lock all four casters in the down position (as shown)



(3) With an assistant's help, hang Interactive whiteboard on the floor stand by lowering the two bolts onto the top hooks and securing the bottom bolts into the bottom hooks. There are five heights for hanging according to user's preferences.

How to Install Software

1. Install Software

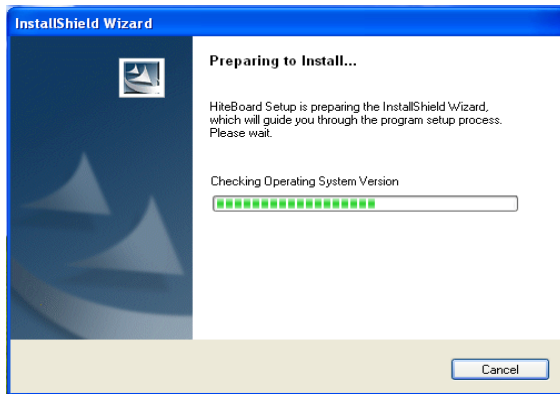
Connect the Whiteboard to your computer or laptop using the provided USB cable and insert the QOMO Interactive Whiteboard CD. Once the USB cable is connected the computer will notify that it has “found new hardware” and the following window will appear:



Please click “Cancel” and use the following method to install the application software. Once the QOMO Interactive Whiteboard CD is placed in the computer's CD-ROM, the following window will appear:

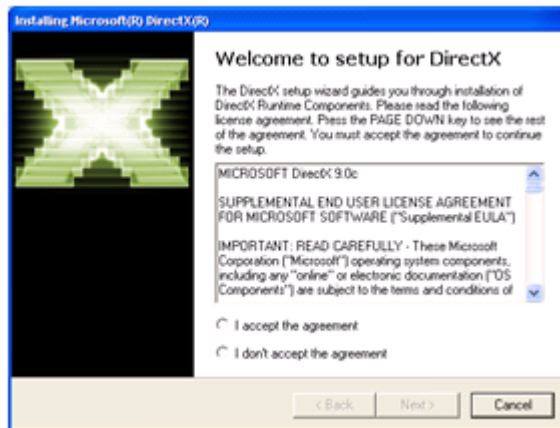


Click **Whiteboard Software** to begin installation





Follow the prompts in the dialog box messages to complete the installation.

Double-click on the **Microsoft DirectX9.0** to install Direct X9.0



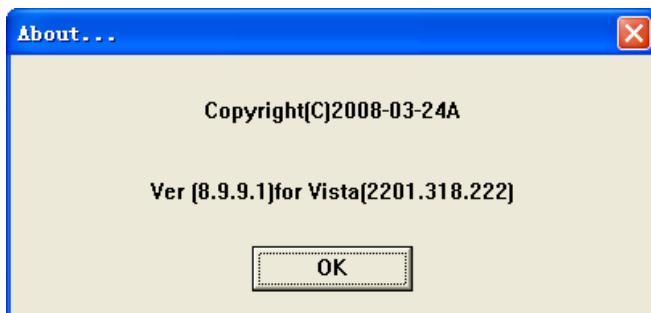
Follow the prompts to install DirectX9.0. Once the installation of the DirectX and Whiteboard Setup is complete, click 'Yes' to restart your computer.

Once the software is installed an icon will appear in the computer's windows system tray.  indicates a connection has been made to the Whiteboard,  indicates no connection has been made, please check the hardware connection and USB driver.

Note: Under Windows XP, the USB driver may need to be reinstalled if the connection to another USB port. Please press "Next" to search USB driver automatically.

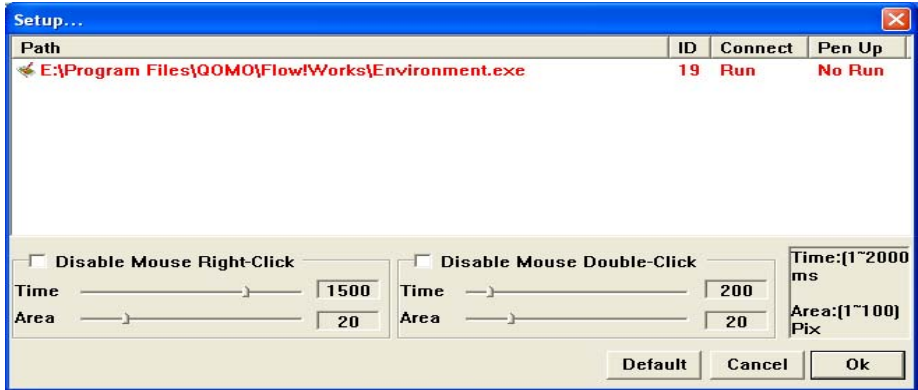
Double-click on the  icon to populate the options  menu.

'About' Option



The dialog box displays application software copyright date, edition and hardware information.

'Setup' Option

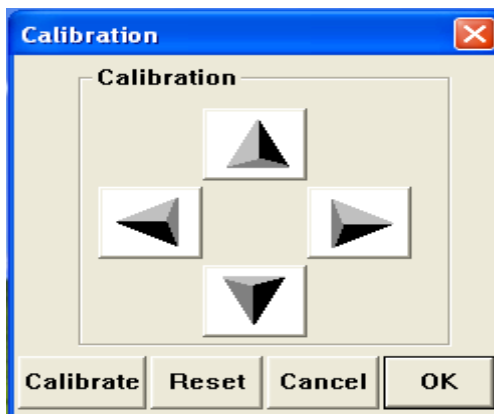



System setup is used to set the simulation of mouse's right-click and double-click based on user's preferences.

To Simulate Right-click: The pen will function as a mouse right-click when the pen tip stops on the screen more than 1500 milliseconds (right-click time) and moves a distance less than 20 pixels (response time).

To Simulate Double-click: The pen will function as a double-click on the screen when two consecutive clicks occur in less than 200 milliseconds (double-click time) and in position less than 20 pixels (response area) from one another.

Calibrating Whiteboard



Users can calibrate image if the projected touch point is offset from actual contact location. To calibrate, click 'Calibrate' on the options menu then click 'Start' Using the Interactive Whiteboard white dots will appear on the screen, to orient the projected image on the board, follow the on screen instructions by clicking  on the white dot each time it appears on the screen. The orientation data saves in the Interactive Whiteboard software automatically and remains unchanged until you the next time you calibrate.

Exit Driver Software

When the QOMO Interactive Whiteboard is no longer needed, click "Exit" to exit the program. The Whiteboard software can be reopened from the start menu.

Note: There are three situations of Whiteboard connection errors



Shows the QWB56/200/300 White Board is not connected properly



Shows the QWB56/200/300 White Board is in the process of connecting

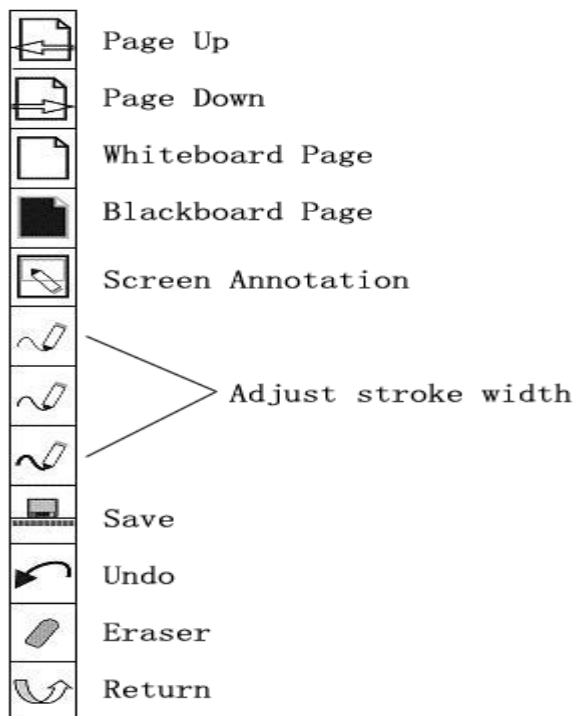


Shows the QWB56/200/300 White Board is connected properly

2. Hot Keys

There are twelve hot keys on the right and left hand sides of the board.

Note: Only available on 78-inch and 105-inch models, 56-inch and 88 inch model whiteboard only has hot keys on the left hand side. The functions are listed below:



Writing pens and eraser




There are three colored writing pens and one eraser, red, black, and blue. The writing pen can write with the same color or users can choose a different color from the color palette in the software.

★ Writing with single-finger, moving with multi-finger.

How to Use Whiteboard Annotation Software

Please refer to the <Application Software Instruction> on the CD for details.

Troubleshooting Guide

Problem	Reason	Try the following
 icon appears on the task bar at the lower right of screen	The whiteboard driver is not installed	Install/reinstall the driver by run  DigitalPen Driver in windows START menu
	Connection Failure between the computer and the whiteboard	Retry the connection
	Installation error	Restart computer and reinstall software
The writing content cannot be displayed on the screen	The stroke color is the same or similar to the background	Reset the stroke color
	Hands and/or some objects on screen	Remove all objects
	White Board software does not started	Start the software
The blue indicator on whiteboard does not light up	USB error	Reconnect USB cable or change cable
The blue indicator on the whiteboard does not light up or is always flash	The whiteboard driver is not installed	Install/reinstall the driver by run  DigitalPen Driver in windows START menu
	USB port error	Retry connection using another USB port
	USB cable failure	Change USB cable

Frequently Asked Questions

Why isn't anything showing up on the screen?

👉: The selected stroke color may be the same as or similar to the background color. Please change the stroke color and try again. Otherwise, the pen may not be working properly. Please contact your reseller immediately.

Do I have to run calibration after reinstalling the application software?

👉: No. To keep it simple, the system records your last location adjustment parameters.

Is the object covered by the page sorter window really covered?

👉: The object is only covered by the page sorter window temporarily and it will be shown after the page sorter window is closed.

Can I custom define a page background and color?

👉: Yes, please refer to Setup Page Background.

How do I know if my QWB56/200/300 White Board is working properly?

👉: If the red indicator is shining while writing on the screen, the QWB56/200/300 White Board Pen works properly.

Why cannot the teaching page color be displayed?

👉: The background color will be covered by the image if the background image size is larger than the screen resolution size and the image is not transparent.

QOMO Interactive Whiteboard User Tips

When searching for a specific page among many pages enter the Page Index mode and look up this page quickly on the Page Sorter window. Press the Ctrl+ key combination (↓ 、 ↑ 、 ←) to move/place objects accurately.

To improve the displaying speed, the size of the image in use should be no larger than the size of the screen resolution.

If possible, convert the picture that will be inserted into WMF format first. This operation can improve the displaying speed and reduce distortion when magnifying or shrinking the image.

In order for the image to be displayed on the screen clearly, set the image size to the same size as the screen being displayed. For example: If the screen resolution is 1024×768, the image pixel should be set to 1024×768.

Specifications

	56" Interactive Whiteboard
	QWB56
Technology	Infrared
Touch System	Pen, Wand or Finger
Touchable range	46" x 33" (1159mm x 831mm)
Resolution	1024 x 1024
Response Time	First dot:25ms,continuous dot:8ms
Cursor Speed	120 inches/second
Coordinate Accuracy	3mm
Consumer Current Active Area Size (Diagonal)	≤75mA
Port	USB
Dimensions	52" x 38" (1331mm x 971mm)
Packing Dimensions	55" x 43" x 8" (1400 x 1100 x 200mm)
Net Weight	31 lbs (14kg)
Gross Weight	48 lbs (22kg)
Software Drivers	Windows 2000/XP/32 bits vista
Accessories	Standard: 3 Interactive Pens (red, black, blue), Eraser, Pen Tray Optional: Floor Stand
Operating Temp	5°F to 122°F (-15°C to 50°C)
Operating Humidity	20~90%
Storage Temp	-40°F to 122°F (-40°C to 50°C)
Storage Humidity	10~95%

	78" Interactive Whiteboard
	QWB200
Technology	Infrared
Touch System	Pen, Wand or Finger
Touchable range	65" x 46" (1653mm x 1159mm)
Resolution	1024 x 1024
Response Time	First dot:25ms,continuous dot:8ms
Cursor Speed	120 inches/second
Coordinate Accuracy	3mm
Consumer Current Active Area Size (Diagonal)	≤80mA
Port	USB
Dimensions	72" x 51" (1824mm x 1301mm)
Packing Dimensions	80" x 60" x 8" (2040 x 1520 x 200mm)
Net Weight	57 lbs (26kg)
Gross Weight	75 lbs (34kg)
Software Drivers	Windows 2000/XP/32 bits vista
Accessories	Standard: 3 Interactive Pens (red, black, blue), Eraser, Pen Tray Optional: Floor Stand
Operating Temp	5°F to 122°F (-15°C to 50°C)
Operating Humidity	20~90%
Storage Temp	-40°F to 122°F (-40°C to 50°C)
Storage Humidity	10~95%

	88" Interactive Whiteboard
	QWB300
Technology	Infrared
Touch System	Pen, Wand or Finger
Touchable range	72" x 52" (1817mm x 1323mm)
Resolution	2048 x 2048
Response Time	First dot:25ms,continuous dot:8ms
Cursor Speed	120 inches/second
Coordinate Accuracy	3mm
Consumer Current Active Area Size (Diagonal)	≤85mA
Port	USB
Dimensions	78" x 58" (1988mm x 1465mm)
Packing Dimensions	80" x 66" x 8" (2204 x 1684 x 200mm)
Net Weight	66 lbs (30kg)
Gross Weight	88 lbs (40kg)
Software Drivers	Windows 2000/XP/32 bits vista
Accessories	Standard: 3 Interactive Pens (red, black, blue), Eraser, Pen Tray Optional: Floor Stand
Operating Temp	5°F to 122°F (-15°C to 50°C)
Operating Humidity	20~90%
Storage Temp	-40°F to 122°F (-40°C to 50°C)
Storage Humidity	10~95%

	105" Interactive Whiteboard
	QWB100WS
Technology	Infrared
Touch System	Pen, Wand or Finger
Touchable range	84" x 46" (2145mm x 1159mm)
Resolution	4096 x 4096
Response Time	First dot:25ms,continuous dot:8ms
Cursor Speed	120 inches/second
Coordinate Accuracy	3mm
Consumer Current Active Area Size (Diagonal)	≤100mA
Port	USB
Dimensions	91" x 51" (2317mm x 1301mm)
Packing Dimensions	99" x 59" x 7" (2522 x 1500 x 170mm)
Net Weight	66 lbs (30kg)
Gross Weight	88 lbs (40kg)
Software Drivers	Windows 2000/2003/XP
Accessories	Standard: 3 Interactive Pens (red, black, blue), Eraser, Pen Tray Optional: Floor Stand
Operating Temp	5°F to 122°F (-15°C to 50°C)
Operating Humidity	20~90%
Storage Temp	-40°F to 122°F (-40°C to 50°C)
Storage Humidity	10~95%

	78" Interactive Whiteboard	
	QWB200 SLIM	
Technology	Infrared	
Touch System	Pen, Wand or Finger	
Touchable range	65" x 46" (1653mm x 1159mm)	
Resolution	4096 x 4096	
Response Time	First dot:25ms,continuous dot:8ms	
Cursor Speed	120 inches/second	
Coordinate Accuracy	3mm	
Consumer Current Active Area Size (Diagonal)	≤80mA	
Port	USB	
Dimensions	69" x 49" (1745mm x 1252mm)	
Packing Dimensions	74" x 53" x 5" (1869 x 1357 x 120mm)	
Net Weight	50 lbs (23kg)	
Gross Weight	59 lbs (27kg)	
Software Drivers	Windows 2000/XP/32 bits vista	
Accessories	White	Standard: 3 Interactive Pens (red, black, blue), Eraser, Aluminum Pen Tray Optional: Floor Stand
	Gray	Standard: 3 Interactive Pens (red, black, blue), Eraser, Pen Tray Optional: Floor Stand
Operating Temp	5°F to 122°F (-15°C to 50°C)	
Operating Humidity	20~90%	
Storage Temp	-40°F to 122°F (-40°C to 50°C)	
Storage Humidity	10~95%	

	88" Interactive Whiteboard	
	QWB300 SLIM	
Technology	Infrared	
Touch System	Pen, Wand or Finger	
Touchable range	71" x 51" (1796mm x 1303mm)	
Resolution	4096 x 4096	
Response Time	First dot:25ms,continuous dot:8ms	
Cursor Speed	120 inches/second	
Coordinate Accuracy	3mm	
Consumer Current Active Area Size (Diagonal)	≤85mA	
Port	USB	
Dimensions	75" x 56" (1909mm x 1414mm)	
Packing Dimensions	80" x 60" x 5" (2033 x 1521 x 120mm)	
Net Weight	57 lbs (26kg)	
Gross Weight	68 lbs (31kg)	
Software Drivers	Windows 2000/XP/32 bits vista	
Accessories	White	Standard: 3 Interactive Pens (red, black, blue), Eraser, Aluminum Pen Tray Optional: Floor Stand
	Gray	Standard: 3 Interactive Pens (red, black, blue), Eraser, Pen Tray Optional: Floor Stand
Operating Temp	5°F to 122°F (-15°C to 50°C)	
Operating Humidity	20~90%	
Storage Temp	-40°F to 122°F (-40°C to 50°C)	
Storage Humidity	10~95%	

Technical Support

How to Reach QOMO:

By Phone

Call us at 1-866-990-QOMO. Our expert support staff is available to provide technical assistance from 9:00AM through 5:00PM Eastern Standard Time, Monday through Friday. Please gather the following information before calling:

- Product model name(s) and numbers
- Product serial number(s)
- Date of purchase
- Detailed and specific questions

Online

Technical support is also available online at QOMO's web site at www.qomo.com. You can enter your questions and concerns through our online form. Or you can email us at support@qomo.com.

Copyrights © 2004 QOMO Hitevision, LLC. All Rights Reserved.