



4x4
Equip™

Quality 4x4 Accessories & Camping Gear

Product Catalogue **2009**



- 4WD Products
- Recovery Gear
- Camping Gear
- 12v Lighting
- 12v Accessories
- 12v Refrigeration



4x4 Equip Pty Ltd
Factory 5/26 Burgess Rd
Bayswater, Vic 3153

PO Box 646
Bayswater, Vic 3153

Phone: +61 (3) 8761 6276
Facsimile: +61 (3) 8761 6279
info@4x4equip.com.au

ABN 94 075 191 230

4x4equip.com.au

Contents

Camping Gear & Accessories

- Light or Shower Pole - Aluminium Telescopic-----	3
- Light or Shower Pole - Wire Light Holders-----	3
- Light or Shower Pole - Shower Holders-----	3
- Light or Shower Pole - Ground Peg-----	4
- Light or Shower Pole - Mounting Brackets-----	4
- Light or Shower Pole - Battery Plate-----	4
- Pole Hanging Hook-----	5
- Clamp Wire Light Holders-----	5
- Storage Bags-----	5
- Burn Brite - 4x4 Equip 12v & 240v Portable Light Range---	6
- Yellow Insect Filters - Factory Cut-----	7
- Yellow Insect Filters - DIY-----	7
- 12v Heavy Duty 10Amp Extension Cables-----	7
- 12v DC Accessories-----	8
- 240v AC to 12v DC Power Adaptors-----	8
- 12v Portable Battery Packs-----	8
- Tent Peg Remover & Tent Pegs - 304 Stainless Steel-----	9
- Autofridge 42lt and 75lt-----	9

4WD Products & Accessories

- Shovels - Exclusive to 4x4 Equip-----	10
- Axe - Exclusive to 4x4 Equip-----	11
- General Accessories-----	11
- Recovery - VR Recovery Bridle-----	11
- Recovery Accessories - General-----	12
- Safety Flag Pole - Telescopic Fibreglass with Safety Flag--	13
- Rear Axe & Shovel Holder (Body Only) & Mounting Plates-	14
- Accessories to suit Axe & Shovel Holder-----	15
- VR Redline (Synthetic Replacement Winch Rope)-----	15

Appendix

- Axe & Shovel Vehicle Matrix	
-------------------------------	--

Light or Shower Pole - Aluminium Telescopic

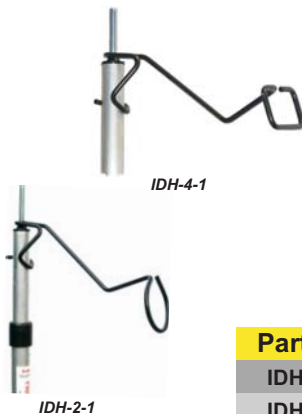


Note:
Pole only, accessories not included

The **Light or Shower Pole** is made up of 3 sections of high grade aluminium tube. It has a cam-loc mechanism at each section allowing telescopic extension from 1.0m up to 2.3m. There is a threaded sleeve at the base for connection to the **Ground Peg** or **Battery Plate**. The threaded spigot at the top is designed to secure the optional **Shower Arm** or **Wire Light Holder**.

Part No	Description	RRP
IDH-5-2	Light or Shower Pole - Aluminium Telescopic	\$39.95

Light or Shower Pole - Wire Light Holders



This brilliant design allows you to hang your rectangular or round 12v portable light just about anywhere, utilising the free standing **Light Pole** or any 22mm diameter tent pole. Because of it's positive location over the spigot, your light will not come crashing down if knocked or in strong winds. It is made from 5mm steel wire and is nylon coated for added durability.

Suits Versa-Lite, Bush-Lite, Primus, ARB, Piranha and others.

Part No	Description	RRP
IDH-4-1	Light or Shower Pole Wire Light Holder - REC	\$10.95
IDH-4-2	Light or Shower Pole Wire Light Holder - RND	\$10.95

Light or Shower Pole - Shower Holders



A useful addition to your free standing **Light Pole** is the **Shower Arm**. Made from the same aluminium tube as the pole, it can be easily positioned over the threaded spigot and secured with the supplied plastic saddle and wingnut. Used in conjunction with a portable shower system, with or without a cubicle or tarp, you don't have to worry about where to hang the shower head any more. Available in 200mm and 500mm lengths.

Also, another useful product for holding your shower rose is the **Clamp Shower Holder**. Available in either 25mm or 50mm clamping capacities, allowing horizontal or vertical positioning.

Part No	Description	RRP
IDH-8-1	Light or Shower Pole Shower Arm - 500mm	\$21.95
IDH-8-2	Light or Shower Pole Shower Arm - 200mm	\$19.95
IDH-8-3	Clamp Shower Holder - 25mm	\$26.95
IDH-8-4	Clamp Shower Holder - 50mm	\$29.95

Camping Gear & Accessories

Light or Shower Pole - Ground Peg



The 300mm steel **Ground Peg** is zinc plated and has a high tensile thread at one end. Place the unique thread protective sleeve over the thread and hit the **Ground Peg** into firm ground (not suitable for sand). Simply screw the **Light or Shower Pole** in place to have lighting or a shower almost anywhere.

Part No	Description	RRP
IDH-6-1	Light or Shower Pole Ground Peg	\$27.95

Light or Shower Pole - Mounting Brackets



IDH-28-1
Vertical



IDH-28-1
Horizontal

Attach the 4x4 Equip **Light or Shower Pole Horizontal / Vertical Mounting Bracket** to your vehicle bullbar, camper trailer or caravan as a quick mounting point for your **Light or Shower Pole**.

Part No	Description	RRP
IDH-6-2	Light or Shower Pole Mounting bracket - HOR	\$16.95
IDH-6-3	Light or Shower Pole Mounting bracket - VER	\$16.95

Light or Shower Pole - Battery Plate



The **Battery Plate** offers an alternative to using the **Ground Peg** in conjunction with the **Light Pole**. Made from 3mm steel plate, it has been zinc plated to assist in corrosion resistance. It comes with a rubber strap to secure your **Battery Pack** and protective feet to enable placement on hard or delicate surfaces. There may be occasions when portable lighting is required and no means of supporting the light. By using the **Battery Plate**, it will allow the **Light Pole** to be mounted on just about any surface, i.e. concrete, sand or even floor boards.

Part No	Description	RRP
IDH-18-1	Light or Shower Pole Battery Plate	\$39.95

Camping Gear & Accessories

Pole Hanging Hook



Attach the 4x4 Equip **Hanging Hook** to your **Light or Shower Pole** and hang up items such as your towels, clothing, soaps and shampoos. Very easy to use, and so convenient. Can also be used on tent poles, camper trailers and caravan annexes.

Part No	Description	RRP
IDH-6-4	Pole Hanging Hook	\$8.95

Clamp Wire Light Holders



Securely mounting your rectangular or round portable 12v light is no longer an issue with the **Clamp Wire Light Holder**. Clamp it to anything rigid around the camp, on your 4WD and inside or outside your camper or caravan. The **Clamp Wire Light Holder** is made from durable, but lightweight resin and 5mm zinc-plated wire.

Available in two sizes: 25mm or 50mm clamping capacity in either round, rectangular or velcro for either odd shaped or LED lights. Suits Versa-Lite, Bush-Lite, Primus, ARB, Piranha and others. (25mm recommend for clamping to standard tent poles)

Part No	Description	RRP
IDH-4-3	Clamp Wire Light Holder - REC 25mm	\$24.95
IDH-4-4	Clamp Wire Light Holder - RND 25mm	\$24.95
IDH-4-7	Clamp Wire Light Holder - LED 25mm	\$24.95
IDH-4-5	Clamp Wire Light Holder - REC 50mm	\$27.95
IDH-4-6	Clamp Wire Light Holder - RND 50mm	\$27.95
IDH-4-8	Clamp Wire Light Holder - LED 50mm	\$27.95

Storage Bags



The 4x4 Equip **Storage Bags** are designed to store and protect a number of our unique products ensuring that they are ready for use when you need them the most. The **Combo Shovel Bag** stores either the **Combo Shovel**, **Compact Shovel** or the **Split Shovel** and protects the inside of your vehicle from dirt and sharp edges.

The **Light Pole Bag** stores your **Light or Shower Pole**, **Ground Peg**, **Versa-Lite**, **Wire Light Holder**, **Shower Arm**, and even a **Clamp Wire Light Holder** – all at the same time. Our **Light Bag** holds the **Versa-Lite**, **Wire Light Holder**, and **Clamp Wire Light Holder** keeping all these lighting components together and ready for use.

These 4x4 Equip **Storage Bags** are all made from a tough, hard wearing material.

Part No	Description	RRP
IDH-22-4	Storage Bag - 12v Light	\$22.95
IDH-22-5	Storage Bag - Light or Shower Pole	\$29.95
IDH-22-6	Storage Bag - Combo or Compact Shovel	\$25.95

Camping Gear & Accessories

Burn Brite - 4x4 Equip 12v & 240v Portable Light Range



IDH-VL-12H

Versa-Lite 12v and 240v Fluorescent

AUSTRALIA'S BEST 12V FLOURESCENT LIGHT JUST GOT BETTER! **Exclusive to 4x4 Equip** the new **Versa-lite Hybrid** offers the best of both worlds in many ways. Based on the very popular **Versa-lite 12v** the new Hybrid comes complete with an automotive CIG plug AND it's the first 12V light to also include a popular Merit plug. It also comes with 4x4 Equip's unique **Yellow Insect Filter** and a 240V adapter enabling it's use from standard 240V mains power at home or at the caravan park. The whole package is worth over \$190.00 (rrp) if items are purchased individually and they all fit neatly into the **12v Light Bag** provided. 5 year warranty.



IDH-VL-12

Versa-Lite 12v Fluorescent

Burn-Brite's **Versa-Lite** needs no introduction. This Australian made 12v DC light has proven itself over many years. 11 watt fluorescent tube, 1A current, 6.4 metre cable with in-line switch. It also comes with 4x4 Equip's unique **Yellow Insect Filter** 3 year warranty.



IDH-PL-240

Versa-Lite 240v Fluorescent

Another quality product from Burn-Brite in the **Versa-Lite** range. This 240v AC light has proven itself over many years. 6.4 metre cable with in-line switch. 3 year warranty.



IDH-LED-12

Versa-Lite 12v LED & 240v LED

The **NEW Versa-Lite LED** range of lights has set a new standard in portable LED lighting. Traditionally LED lights do not have a good spread of light and could be considered directional, similar to a torch, in their performance.

The **Versa-Lite LED 12v** with 92 LED's defies this trend by offering an exceptional spread of light over a good usable distance. It features a clean crisp white light rather than the bluish tinge of other LED lights. It has a very low current draw of only .6 Amps and is built around the renowned and original Versa-Lite casing ensuring its longevity and substantial resistance to breakage.



IDH-LED-240

The **Versa-Lite LED 12v & 240v** are designed and manufactured in Australia and features a 3 year warranty.

Part No	Description	RRP
IDH-VL-12	Versa-Lite (Burn Brite) 12v DC Including Free Yellow Insect Filter - REC	\$119.95
IDH-PL-240	Versa-Lite (Burn Brite) 240v AC	\$114.95
IDH-VL-12H	Versa-Lite (4x4 Equip-Burn Brite) Hybrid Including Free Yellow Insect Filter - REC	\$164.95
IDH-LED-12	Versa-Lite (4x4 Equip-Burn Brite) 12v DC 92 LED	\$159.95
IDH-LED-240	Versa-Lite (4x4 Equip-Burn Brite) 240v AC 92 LED	\$179.95

Camping Gear & Accessories

Yellow Insect Filters - Factory Cut (suit the following)



Manufactured from specially designed material which can withstand high temperatures emitted from spot lights, the filter can be easily removed or replaced when needed. Insects are attracted to ultraviolet light, with white and blue at the top end of the light scale. This is why they gather around our camp lights in abundance, causing problems especially at meal times. To help reduce their presence, 4x4 Equip has developed a **YELLOW Insect filter** to suit your 12v, 24v or 240v portable light. Yellow, being at the other end of the ultraviolet spectrum, will greatly reduce the number of insects attracted to your light.

Suits Versa-Lite, Bush-Lite, Primus, ARB, Piranha and others.

Versa-Lite (and similar) - Rectangular
Bush -Lite (and similar) - Round

Part No	Description	RRP
IDH-12-1	Yellow Insect Filter - REC	\$9.95
IDH-12-2	Yellow Insect Filter - RND	\$9.95

Yellow Insect Filters - DIY (blank sheet)



Manufacture your own Yellow Filter from one of these blank sheets. Using a piece paper as template traced from your Camper Trailer or Caravan light, then simply cut the profile to suit.

The blank sheets are cut from the same high temperature material used above.

**NEW
FOR
2009**

Part No	Description	RRP
IDH-12-3	Yellow Insect Filter - 255mm X 305mm Sheet	\$16.95
IDH-12-4	Yellow Insect Filter - 510mm X 305mm Sheet	\$24.95
IDH-12-5	Yellow Insect Filter - 510mm X 610mm Sheet	\$34.95

12v Heavy Duty 10Amp Extension Cables



How many times has the standard cord on your 12v portable appliance not been long enough to reach exactly where you need it to?

This problem is now solved with the 4x4 Equip's **12v Extension Cable** range.

Assembled by 4x4 Equip from heavy duty 10Amp Fig 8 wire.

Part No	Description	RRP
IDH-28-1	Extension Cable 12v Heavy Duty 10Amp - 6m CIG Plug to CIG Socket	\$22.95
IDH-28-2	Extension Cable 12v Heavy Duty 10Amp - 6m Merit/CIG Plug to Merit Socket	\$28.95
IDH-28-3	Extension Cable 12v Heavy Duty 10Amp - 6m Merit/CIG Plug to CIG Socket	\$24.95
IDH-29-1	Extension Cable 12v Heavy Duty 10Amp - 2m Battery Clips to CIG Socket	\$16.95
IDH-29-2	Extension Cable 12v Heavy Duty 10Amp - 2m Merit/CIG Plug to Merit Socket	\$24.95
IDH-29-3	Extension Cable 12v Heavy Duty 10Amp - 2m Merit/CIG Plug to CIG Socket	\$19.95
IDH-31-1	Multi Adaptor 12v Heavy Duty 10Amp - 0.3m Merit/CIG Plug to CIG & Merit Socket	\$29.95

Camping Gear & Accessories

12v DC Accessories



4x4 Equip now has a range of general **12v DC Accessories** to suit your needs. Suitable for all 12v appliances including fridges, compressors, pumps and lighting.

Part No	Description	RRP
IDH-32-1	Merit/CIG Adaptor Plug	\$9.95
IDH-32-2	Merit Panel Mount Socket with Cover	\$14.95
IDH-32-3	Merit Inline Socket with Cover	\$10.95
IDH-32-4	CIG/USB 1Amp Adaptor Plug	\$16.95

240v AC to 12v DC Power Adaptors



Increase the versatility of your 12v portable lighting with the 4x4 Equip 240v **1.5Ah Power Adaptor**. Simply plug the **Power Adaptor** into any 240v power outlet and connect your 12v portable light. For larger 12v appliances, use 4x4 Equip's 240v **8Ah Power Adaptor**. Simply plug the **Power Adaptor** into any 240v power outlet and connect your fridge or any 12v accessory up to 8Amp. Use these adaptors around your home, at the caravan park or anywhere 240v mains power is available.

Part No	Description	RRP
IDH-27-1	Power Adaptor 1.5Ah - 240v to 12v	\$34.95
IDH-27-2	Power Adaptor 8Ah - 240v to 12v	\$49.95

12v Portable Battery Packs



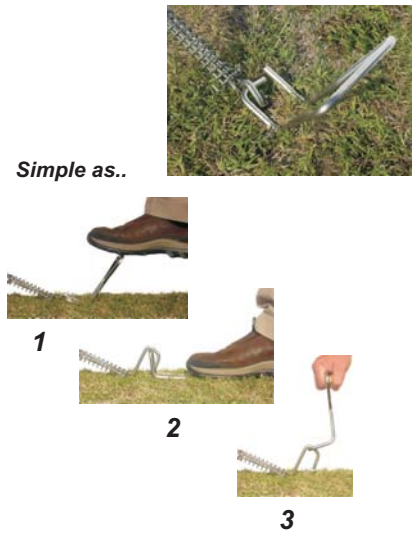
The 4x4 Equip **Battery Packs** utilizes a premium Exide 12v battery. They are ideal for running camp lights, portable shower units, air bed inflators and most other portable 12 volt products. Also, they are perfect for positioning your portable lighting or shower in a location away from your vehicle.

The 4x4 Equip **Battery Packs** come complete with a high quality Exide sealed lead acid battery, two cigarette lighter sockets and a carry bag. Recharging on the move from your vehicle is easy via the 12v cigarette lighter charger provided, or charge from mains power via the 240v 1amp charger also provided with each pack.

Part No	Description	RRP
IDH-26-1	12v 7Ahr Battery Pack (Exide Battery) Includes: Bag, 12v & 240v Charger, 2 x CIG Sockets	\$114.95
IDH-26-2	12v 18Ahr Battery Pack (Exide Battery) Includes: Bag, 12v & 240v Charger, 2 x CIG Sockets	\$149.95

Camping Gear & Accessories

Tent Peg Remover - 304 Stainless Steel



The unique 4x4 Equip Stainless Steel **Tent Peg Remover** makes removing those stubborn tent pegs a breeze. Simply slot the **Tent Peg Remover** under the tent peg, stand on it to lever the tent peg up, and then use the integrated handle to lift the tent peg out of the ground. Simple, and so easy to use.

The **Tent Peg Remover** is manufactured in Australia from high grade 8mm 304 stainless Steel with a whopping 800MPa tensile strength making it extremely strong and rust resistant. No plastic or mild steel to break and bend under pressure, the 4x4 Equip Stainless Steel **Tent Peg Remover** is a high quality product that deserves a place amongst your camping gear.

Part No	Description	RRP
IDH-21-1	Tent Peg Remover (304 Stainless)	\$15.95

Tent Pegs - 304 Stainless Steel



Fed-up with bent or rusted tent pegs? 304 STAINLESS STEEL will eliminate your rust problem forever and it's tough tensile strength (800MPa*) will significantly reduce your bending problem compared with conventional mild steel tent pegs.
(*Mild Steel 420MPa)

Part No	Description	RRP
IDH-15-8	Tent Peg 8.0 x 175.0mm - Pack 6 (304 Stainless)	\$19.95
IDH-15-6	Tent Peg 8.0 x 225.0mm - Pack 6 (304 Stainless)	\$21.95
IDH-15-7	Tent Peg 8.0 x 300.0mm - Pack 6 (304 Stainless)	\$24.95

Autofridge - 12v DC & 240v AC



NEW FOR 2009

The renowned **Australian Made Autofridge** eutectic refrigerator is the highest quality low voltage portable refrigerator/freezer available. It is designed to withstand the extreme conditions experienced in Australia in both the 4WD and Marine environments. The Autofridge has been well proven in applications like 4WD, marine, aviation, heavy transport, mining and industrial, military and remote solar installations over the past 22 years. Due to its Eutectic system this fridge only needs to be run for 2 hours in the morning and 2-3 hours in the evening greatly reducing battery usage.

Part No	Description	RRP
TS-0009	Autofridge 42lt	\$1,980.00
TS-0010	Autofridge 75lt	\$2,290.00

4WD Products & Accessories

Shovels - Exclusive to 4x4 Equip



Improved Design

IDH-2-1



Improved Design

IDH-2-2



NEW FOR 2009

IDH-2-4



NEW FOR 2009

IDH-2-5

Combo Shovel

The unique 4x4 Equip **Combo Shovel** has proven it's self over several years now. This improved design now makes the **Combo Shovel** even better. The **Combo Shovel** takes away the hassle of trying to carry a long handled shovel inside or outside your 4WD. Simply un-screw the long handle at the threaded joint and store it conveniently away. By attaching the supplied 'D' handle it now becomes a useful spade. The high quality **Combo Shovel** is built strong for hard work and consists of a heat treated steel blade, multi-core, steel reinforced fibreglass handle, cushioned "D" handle and steel joining sleeves.

The **Combo Shovel** can be easily attached to 4x4 Equip's **Axe & Shovel Holder**.

Technical Specifications:

Steel Reinforced Fibreglass & PVC Handle
Zinc Plated Steel Threaded Joining Sleeves
Long Handle Shovel Length 1430mm
D Handle Shovel Length 970mm
Minimum "break down" Length 770mm
Blade Width 193mm

The "Original"
Combo Shovel & Split Shovel
- "Made in Australia" -
This product is manufactured in Australia
to a very high standard -
don't be fooled by cheap imports!

Split Shovel

The **Split Shovel** is for those who just want to carry a long handled shovel. This shovel breaks down to half it's length to ensure ease of storage inside your vehicle. The **Split Shovel** is manufactured to the same quality standards and using the same materials as our **Combo Shovel**.

Technical Specifications:

Steel Reinforced Fibreglass & PVC Handle
Zinc Plated Steel Threaded Joining Sleeves
Long Handle Shovel Length 1430mm
Minimum "break down" Length 770mm
Blade Width 193mm

Compact Shovel

At just 800mm long the Compact Shovel is short enough to be stowed behind the seats in a ute or in the rear cargo area of a soft roader. It remains long enough to perform when required and features the same high quality heat treated post-hole blade as the other off-road shovels in the 4x4 Equip range. It also features a very strong multi-core fibreglass/PVC shaft and a new cushioned 'D' handle.

Technical Specifications:

Solid Multicore Fibreglass & PVC Handle
Cushioned 'D' Handle
Over all Shovel Length 800mm
Blade Width 193mm

Long Shovel

The 4x4 Equip Long Shovel is a full sized traditional long handled shovel. "The ultimate in handle strength" the Long Shovel has been tested to a lifting capacity of 80kg! It features a multi-core fibreglass and PVC handle and the same proven heat treated post-hole blade as all the other shovels in our Off Road Range.

Technical Specifications:

Solid Multicore Fibreglass & PVC Handle
Cushioned Grip
Over all Shovel Length 1430mm
Blade Width 193mm

Part No	Description	RRP
IDH-2-1	Combo Shovel (including 'D' handle)	\$89.95
IDH-2-2	Split Shovel (including storage bag)	\$84.95
IDH-2-4	Long Shovel 1.43m Long	\$36.95
IDH-2-5	Compact Shovel 0.8m Long	\$39.95

4WD Products & Accessories

Axe - Exclusive to 4x4 Equip



This no-nonsense **2kg (4lb) Axe** features a strong multicores fibreglass & PVC handle with a rubber handgrip. This Axe will suits 4x4 Equip's **Axe & Shovel Holder** well, and the red colour will ensure that you don't forget it when you leave your favourite campsite.

Part No	Description	RRP
IDH-14-1	GU Nissan Patrol Rear Door Extension Bracket	\$29.95

General Accessories



Before



After



GU Nissan Door Bracket

Open the rear door of your Nissan Patrol GU further with the 4x4 Equip **Rear Door Extension Bracket**. The design of the OEM Nissan Patrol GU door bracket on Series I, II, III, and IV vehicles restricts the small rear door from opening as far as it could. Following many requests from Nissan Series IV owners we've developed a bracket that will allow the door to open further **on all models**, inturn making entry to the vehicle and loading gear a much less frustrating task.

The 4x4 Equip **Rear Door Extension Bracket** is zinc plated for corrosion resistance, and is very easy to fit using the instructions provided.

Part No	Description	RRP
IDH-30-1	Axe - 2kg 4lb Fibreglass Handled	\$36.95

Recovery - VR Recovery Bridle



Snatch recovery of a four wheel drive is a dangerous activity. Minimising the strain applied to your vehicle recovery points is paramount when using a snatch strap. The 4x4 Equip **Recovery Bridle** distributes the load evenly between each recovery point. It works effectively with both full chassis vehicles and monocoque vehicles. Manufactured from heavy duty 16.0mm synthetic rope with 14% elongation. The 4x4 Equip **Recovery Bridle** is 2m in length and comes with a protective sleeve for longevity and a storage bag.

It also, has a breaking strain of 8000kg (17,600lb) (Straight line pull).



Storage Bag



Shackles Not Included

Part No	Description	RRP
IDH-23-1	VR-Recovery Bridle 2.0m (8.0T Rating) Including Storage Bag	\$119.95

4WD Products & Accessories

Recovery Accessories - General

**All NEW
FOR
2009**



IDH-33-1



IDH-33-2



IDH-33-3



IDH-33-4



IDH-33-5



IDH-33-6



IDH-33-7



IDH-33-8

Snatch Strap 8000kg & 10000kg

The 4x4 Equip Snatch Strap should be an item in every four wheel driver's vehicle recovery kit. Made from 100% high stretch nylon this Australian made snatch strap is extremely effective in recovering a bogged vehicle with the aid of another vehicle.

The 4x4 Equip Snatch Strap 10000kg was rated 10/10 in the recent Snatch Strap Comparo testing carried out by 4WD Action Magazine and published in issue 128. This strap exceeded its advertised rating by 10% and was "Recommended".

Winch Extension Strap

The 4x4 Equip Winch Extension Strap will extend the reach of your winch when a suitable anchor is beyond the length of your winch cable. This Australian made product is made from 100% low stretch polyester. A must have item for anyone who uses a vehicle mounted or hand winch.

Tree Trunk Protector

The 4x4 Equip Tree Trunk Protector will prevent any damage to the tree and also your wire cable during a winching operation. (Never wrap your winch cable directly around a tree trunk - apart from the damage it can cause to your expensive winch cable it can ringbark the tree eventually killing it.) The Australian made 4x4 Equip Tree Trunk Protector is a must for every winch recovery kit, whether you use a winch fitted with wire cable or synthetic rope.

Bow Shackle 3.25T & 4.7T

An essential addition to every recovery kit the 4x4 Equip Bow Shackle can be used in conjunction with winches or snatch straps to assist in recovering a bogged vehicle.

Tested to Australian Standards (AS-2741-2002)

19mm 3.2 Tonne

22mm 4.7 Tonne

Drag Chain

The 4x4 Equip Drag Chain is a very useful piece of recovery gear. With a 7.3 tonne breaking strain it can be used to move fallen trees from your path, or even abandoned vehicles from the bush during that clean-up operation with your four wheel drive club. The Drag Chain is 5m in length, has an 8mm link size and comes complete with a Lug Link and Grab Hook. A plastic bucket with lid is provided for easy storage

Snatch Block

The 4x4 Equip Snatch Block has a place in every serious recovery kit. This versatile item of winching equipment can assist you to recover loads double your winches rated capacity. It achieves this by halving the load on your vehicle mounted winch or hand winch. It is also used to change the direction of the winching operation when it's not possible or ideal to winch directly forward.

The 4x4 Equip Snatch Block is suitable for wire winch cables up to a maximum of 11mm diameter, and has a pulling capacity of 8 tonne. Pulley diameter 125mm.

Part No	Description	RRP
IDH-33-1	Snatch Strap 8000 Kg 60mm x 9m	\$59.95
IDH-33-2	Super Snatch Strap 10000kg 75mm x 9m	\$79.95
IDH-33-3	Extension Strap 4500kg 50mm x 20m	\$69.95
IDH-33-4	Tree Protector Strap 12000kg 75mm x 3m	\$49.95
IDH-33-5	Bow Shackle Rated 3.25T 16mm x 20mm	\$10.95
IDH-33-6	Bow Shackle Rated 4.7T 19mm x 22mm	\$12.95
IDH-33-7	Drag Chain 7.3T (Max Load) 8mm x 5m	\$79.95
IDH-33-8	Snatch Block 8T (Max Load)	\$49.95

4WD Products & Accessories

Safety Flag Pole - Telescopic Fibreglass with Safety Flag



IDH-20-3

Safety Flag Pole

Using a **Safety Flag Pole** on your vehicle during coastal and inland sand dune and coastal track driving will decrease the risk of an accident with another vehicle. 4x4 Equip has developed this unique telescoping **Safety Flag Pole** to alleviate the problem of trying to store a long flag either inside or outside your vehicle. Its compacted length is a mere 1.5 metres ensuring that it can be stored inside any four wheel drive including soft roaders.

The 4x4 Equip **Safety Flag Pole** is made up of 3 sections of high grade fibreglass tube. It has a cam-loc mechanism at each section allowing telescopic extension from 1.5m to 3.5m making it one of the tallest products of its type on the market and considerably increases the safety factor. Due to its construction there is no spring base required.

Well suited to the dunes of Portland, Lancelin, Robe, Fraser Island, Stockton and the Simpson.

Made from fibreglass for lightweight durability and strength. Easy to fit using either the F1 or F3 mounting options below.

- All fitting hardware included.
- High visibility replaceable flag with reflective strips.
- Meets the Occupation Health & Safety standards for mining vehicles.

Safety Flag Mounting Bracket F1

The **F1 Mounting Bracket** is suitable for mounting your 4x4 Equip **Safety Flag Pole** to the bumper section of your vehicles bull-bar. Drilling required.



IDH-20-4



Safety Flag Mounting Bracket F3

The **F3 Mounting Bracket** is suitable for mounting your 4x4 Equip **Safety Flag Pole** to the upright post of your vehicles bull-bar or the roll cage of a tray back vehicle. Manufactured to suit 48.0mm diameter tube. No drilling required.



IDH-20-6



Safety Flag

The 4x4 Equip **Safety Flag** meets Occupational Health & Safety Standards for mining and industrial vehicles and is an ideal replacement flag for the 4x4 Equip **Safety Flag Pole**. It also suits most other brand Safety Flag poles.

Manufactured from heavy duty mesh it features a tubular sleeve for placing over the flag pole, and two brass eyelets for securing. The safety orange colour attracts attention while the reflective strips ensure increased visibility from every angle.

The streamlined shape of the 4x4 Equip **Safety Flag** has been proven to minimise flapping, a major cause of fraying and premature failure of many safety flags. This design and the heavy duty materials used ensure a longer life span than most.

Size 30cm x26cm (780 sq cm)



IDH-20-2

Part No	Description	RRP
IDH-20-2	Safety Flag - 270 x 300 with Reflective Strips	\$27.95
IDH-20-3	Safety Flag Pole - Telescopic Fibreglass Pole & Flag	\$119.95
IDH-20-4	Safety Flag Pole Mounting Option - F1	\$24.95
IDH-20-6	Safety Flag Pole Mounting Option - F3	\$29.95

4WD Products & Accessories

Rear Axe & Shovel Holder (Body Only) See below for Mounting Plate..



Axe & Shovel Holder features include:

- Proudly Australian made
- Zinc plated and powder coated
- Mounts behind spare wheel
- Suitable for Alloy or Steel rims
- Easily removed
- Storage bracket supplied
- Retaining clip with chain & padlock
- Rubber strap
- Provision for mounting 4x4 Equip's **Combo Shovel**
- Provision for mounting 4x4 Equip's **Free Standing Light or Shower Pole**
- Divider in base to have the option to carry an **Axe** or **Shovel** on their own
- Choice of 3 off-set models



Axe & Shovel not included

See page 15 for a list of optional accessories



Part No	Description	RRP
IDH-1-M1-A, M2-A M3-A or M4-A	Axe & Shovel Holder, <i>Including Mounting Plate</i>	\$199.95
IDH-1-M1-A	Axe & Shovel Holder - Body Only	\$154.95
IDH-1-M2-A	Axe & Shovel Holder - Body Only	\$154.95
IDH-1-M3-A	Axe & Shovel Holder - Body Only	\$154.95
IDH-1-M4-A	Axe & Shovel Holder - Flat Panel Mount	\$199.95

Mounting Plates to suit Axe & Shovel Holder



IDH-1-40

IDH-1-40 Mounting Plate to Suit:

- Mitsubishi Pajero - all models
- Toyota Prado - all models
- Nissan Patrol - all models
- Holden - all models
- Toyota Troop Carrier - all models
- Hummer - H3

IDH-1-41 Mounting Plate to Suit:

- Jeep - all models
- Toyota RAV 4 - all models
- Land Rover Freelander - all models
- Suzuki - all models

IDH-1-42 Mounting Plate to Suit:

- Land Rover Defender - steel rims
- Land Rover Discovery Series 1 - steel rims
- Land Rover Discovery Series 1 & 2 - all models

IDH-1-43 Mounting Plate to Suit:

- Land Rover Defender - alloy rims

Refer to enclosed vehicle matrix to establish the correct
Axe & Shovel Holder / Mounting Plate for individual vehicles.



Mounting Plates to suit
the above Axe & Shovel
Holder

Part No	Description	RRP
IDH-1-40	Mounting Plate	\$45.00
IDH-1-41	Mounting Plate	\$45.00
IDH-1-42	Mounting Plate	\$45.00
IDH-1-43	Mounting Plate	\$45.00

4WD Products & Accessories

Accessories to suit Axe & Shovel Holder



Telescopic Light or Shower Pole



Wire Light Holder



12v Versa-Lite



Combo Shovel



2Kg (4lb) Fibreglass Handled Axe



Shower Arm

Part No	Description	RRP
IDH-2-1	Combo Shovel (with D Handle)	See price list
IDH-5-2	Light or Shower Pole - Aluminium Telescopic	See price list
IDH-4-1	Light or Shower Pole Wire Light Holder - REC	See price list
IDH-8-1	Light or Shower Pole Shower Arm - 500mm	See price list
IDH-30-1	2kg 4lb Fibreglass Handled Axe	See price list
IDH-VL-12	Burn Brite Versa-Lite 12v DC	See price list

VR Redline (Synthetic Replacement Winch Rope)



Winch & Hook not included



Parallel 12 Strand UHMPE Bonded Core

Braided Polyester Cover

Neoprene Rubber Layer



VR REDLINE vs Competition

Introducing the latest development in **Synthetic Winch Rope**; **VR REDLINE** exclusive to 4x4 Equip, is the most advanced synthetic winch rope on the market. **VR REDLINE** will not corrode, and is not affected by UV. The unique 12 Strand, **Parallel UHMPE Core** construction is bonded, then wrapped with vulcanized neoprene rubber preventing contamination by salt, sand, dust, mud, in turn, extending the working life of this rope. The **Braided Polyester Cover** is very tightly woven providing exceptional abrasion resistance.

As **VR REDLINE** synthetic winch rope utilizes an outer protected core in its construction, at no time does the internal rope core come in contact with the winch drum. This ensures that any heat build-up caused by the drum brake when lowering during the recovery process will not damage this ropes integrity.

VR REDLINE rope is **20% stronger than steel wire rope** of the same diameter and is **80% lighter**. The eye is professionally spliced to enable the ropes strength characteristics to be maintained (note: knots can reduce synthetic rope strength by up to 20%). The 10mm diameter rope is **rated to 20,000lbs or 9,000kg**, has an impressive elongation of only **1% to 2% at break** and **weighs a mere 2.5kg per 30m**.

These characteristics place **VR REDLINE** at the forefront of **Synthetic Winch Rope** technology and address many of the shortcomings of the traditional synthetic winch ropes on the market today.

Part No	Description	RRP
VR-W-20	VR Redline Synthetic Winch Rope - 10mm x 20m	\$496.00
VR-W-30	VR Redline Synthetic Winch Rope - 10mm x 30m	\$694.00
VR-W-40	VR Redline Synthetic Winch Rope - 10mm x 40m	\$892.00
VR-E-20	VR Redline Synthetic Extension Rope - 10mm x 20m	\$596.00



4x4 Equip™

Quality 4x4 Accessories & Camping Gear

4x4equip.com.au



Wire Light Holder

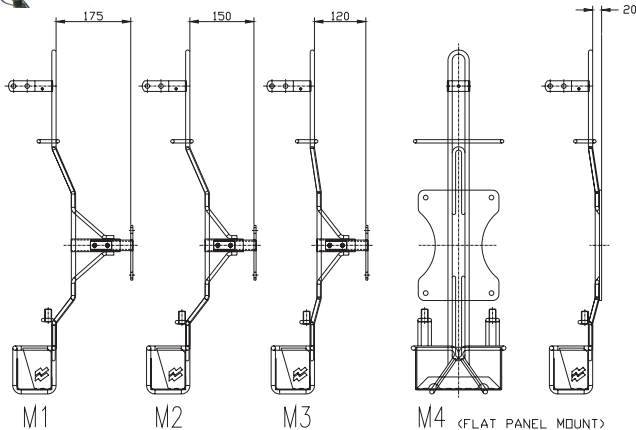
Combo Shovel

Telescopic Light or Shower Pole

2Kg (4lb) Fibreglass Handled Axe



Axe & Shovel NOT included



OFF-SET MODELS AVAILABLE

Standard Features:

- Australian designed & manufactured
- Handle retaining pin & padlock
- Rubber strap
- Zinc plated & powder coated
- Garage storage bracket
- Choice of 4 (off-set) models
- Provision for mounting 4x4 Equip's Free Standing Light or Shower Pole
- Provision for mounting 4x4 Equip's Combo Shovel
- Divider in base to have the option to carry an axe or shovel on their own

Axe & Shovel Holder Vehicle Matrix for OEM Rim & Tyre

Please Note:

Due to manufacturer variations , confirm off-set (see over) before ordering.

Make	Model	Series	Steel Rims	Alloy Rims	Studs	Shovel Holder Model	Mounting Plate - Part No
Holden	Frontera	all	✓		6	M3	IDH-1-40
	Jackaroo	all	✓		6	M3	IDH-1-40
	Jackaroo	all		✓	6	M2	IDH-1-40
Jeep	Wrangler	all	✓	✓	5	M3	IDH-1-41
Land Rover	Defender	all	✓		5	M3	IDH-1-42
	Defender	all		✓	5	M3	IDH-1-43
	Discovery	I	✓		5	M3	IDH-1-42
	Discovery	I		✓	5	M3	IDH-1-43
	Discovery	II	✓	✓	5	M3	IDH-1-42
	Freelander	all	✓	✓	5	M3	IDH-1-41
Mitsubishi	Pajero	NH-NL	✓		6	M3	IDH-1-40
	Pajero	NH-NL		✓	6	M2	IDH-1-40
	Pajero	NM-NP		✓	6	M3	IDH-1-40
Nissan	Patrol GQ	all	✓	✓	6	M2	IDH-1-40
	Patrol GU	I, II, III	✓	✓	6	M2	IDH-1-40
	Patrol GU	IV	✓		6	M2	IDH-1-40
	Patrol GU	IV		✓	6	M1	IDH-1-40
Suzuki	Vitara	all	✓		5	M3	IDH-1-41
	Grand Vitara	all		✓	5	M3	IDH-1-41
	Siera	all	✓		5	M3	IDH-1-41
Toyota	Prado	all	✓		6	M3	IDH-1-40
	Prado	all		✓	6	M2	IDH-1-40
	Troop Carrier		✓		6	M3	IDH-1-40
	Troop Carrier		✓		5	M3	IDH-1-40
	Troop Carrier			✓	5	M2	IDH-1-40
Rav 4	all	✓	✓	5	M3	IDH-1-41	
Hummer	H3	all		✓	5	M3	IDH-1-40
General	Panel Mount	Camper Trailer, Ute or Slide on Camper				M4	NA

Accessories

- Combo Shovel (with D Handle) IDH-2-1
- 2Kg (4lb) Fibreglass Handle Axe IDH-30-1
- Threaded Aluminium Telescopic Light & Shower Pole IDH-5-2
- Wire Light Holder IDH-4-1

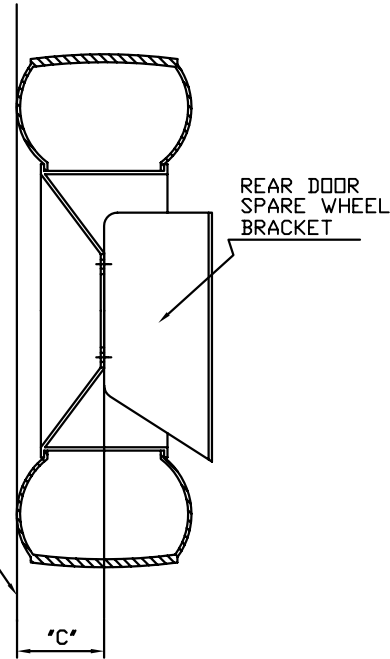
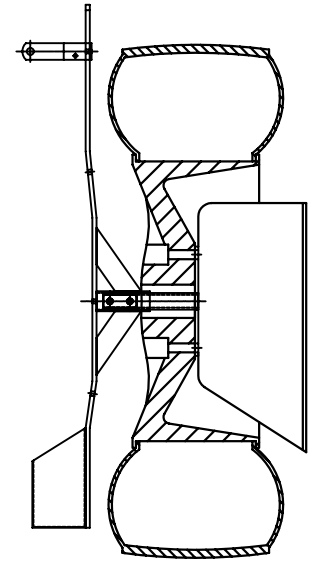
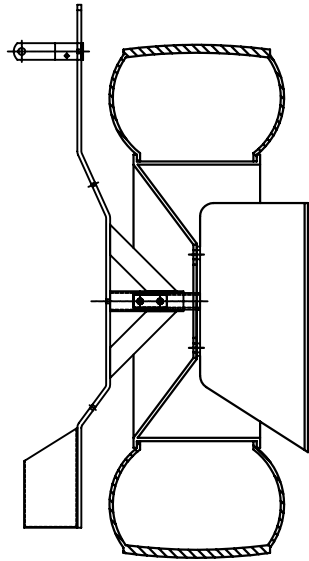
AXE AND SHOVEL HOLDER MEASURING INSTRUCTIONS

As you can appreciate, there are many different types and combinations of rims and tyres on the market.

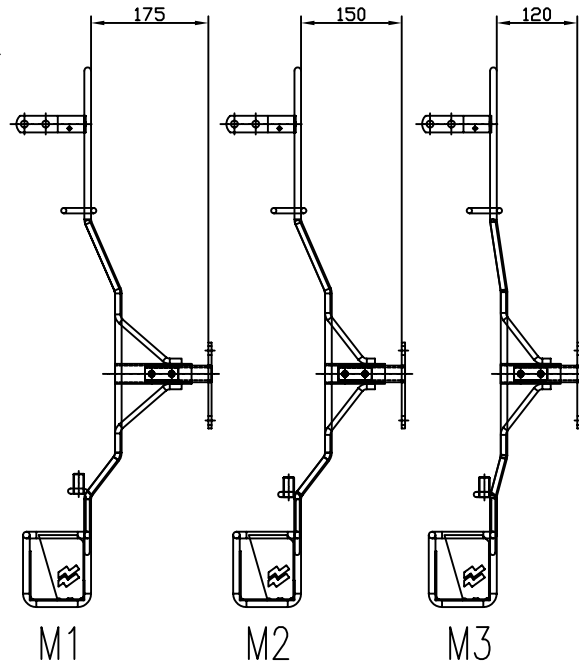
Therefore, it is necessary to measure your rim and tyre combination to select the best suited Axe and Shovel Holder for your Four Wheel Drive.

There are three models to choose from, the M1, M2 and M3, which will cover most rim off-set variations. The model type and mounting plate spigot length is determined by measuring dimensions 'A' and 'B' on alloy rims and dimension 'C' on steel rims.

If you run multiple rims and tyres, select the larger dimension in all cases.



STEEL RIM
 REQUIRE DIMENSION "C"
 IN MILLIMETERS

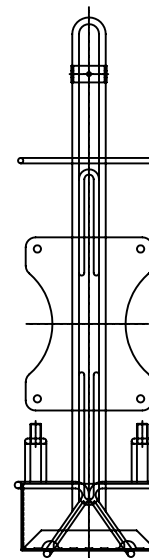


M1

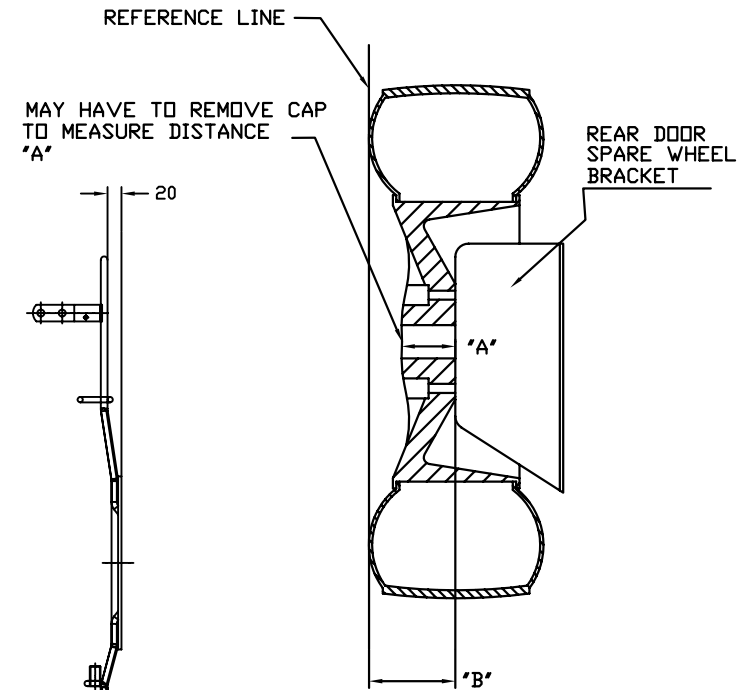
M2

M3

OFF-SET MODELS AVAILABLE



M4 (FLAT PANEL MOUNT)



ALLOY RIM
 REQUIRE DIMENSIONS
 "A" AND "B"
 IN MILLIMETERS