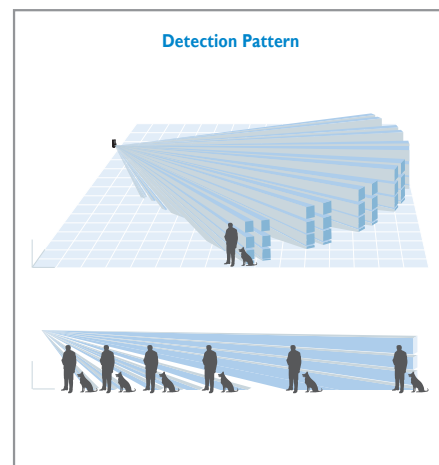




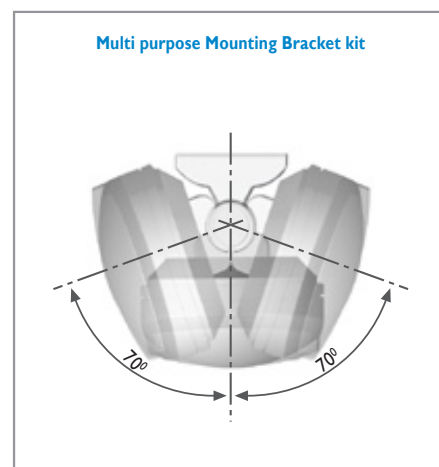
SWAN PGB

- Triple Technology PIR, Shock and Glass Break detector
- 2 relays for PIR and Glass Break
- Digital signal processing
- Exceptional detection of plate and tempered glass
- 18 x 18 m (60'x 60'), 90° detection pattern
- Pet Immunity of up to 25 kg (55 lbs)
- Compact design for commercial installations



Swan 1000 / Swan 2000AM / Swan K

- Passive Infrared and Microwave Detector
- Bi Directional Temperature Compensation
- Digital Microwave signal processing
- PIR and Microwave Sensitivity Adjustment
- 15 x 15 m (50'x 50'), 90° detection pattern
- Pet Immunity of up to 25 kg (55 lbs)
- Compact design for residential and commercial installations
- DRO Microwave technology
- Available with 10.525, 9.9 Ghz Freq.
- Swan K: band 24.125 Ghz Freq.
- Anti-masking feature in Swan 2000AM & Swan K



Swan C-CAM

- Combined PIR & Pinhole Colour camera (PAL or NTSC support)
- 18 x 18 m (60'x 60'), 90° detection pattern
- Separated NO/NC relays for VTR and alarm control
- Timer for VRT activation
- Effective alarm verification with AGC audio and video surveillance of protected areas

Swan B-CAM

- Combined PIR & Pinhole B&W camera (CCIR or EIA support)
- 18 x 18 m (60'x 60'), 90° detection pattern
- Separated NO/NC relays for VTR and alarm control
- Timer for VRT activation
- Effective alarm verification with AGC audio and video surveillance of protected areas

