

DYNAFLO® 6200 / 6210

Model Numbers: 62001-2, 62101-2 & 62103-0

DEPEND ON
DAVEY

WATER PRODUCTS

TRANSFER PUMPS

PRODUCT DESCRIPTION

Rugged economical single stage centrifugal pumps. Designed for total heads to 32 m and flow to 315 lpm.

APPLICATIONS

- Water supply
- Water transfer
- Hosing down - dairies, factory floors etc.
- Tank filling
- Sprinkler supply
- Garden reticulation



Also available in 220 volt 60Hz single phase & 380 volt 60Hz three phase.

FEATURES & BENEFITS

Every pump is performance and pressure tested in our factory to ensure quality and reliability.

Noryl pump casing with metal hoop strengthened inlet and outlet ports is a proven robust pump design for long life.

Oring sealed hand tightened priming and drain plugs for easy operation.

Davey manufactured IP56-TEFC, 2 pole 2850rpm motor is corrosion resistant and protects against vermin, dust and water.

Motor and pump are designed for frequent starts providing a long and reliable working life.

In-built thermal overload protection with automatic reset in all single phase models for long term motor protection.

Double contact seal, C3, high temperature greased bearings for long life and smooth running.

2m power lead with 10amp Australian three pin plug fitted to all single phase models.

Corrosion resistant motor mounting feet for long life.

OPERATING LIMITS

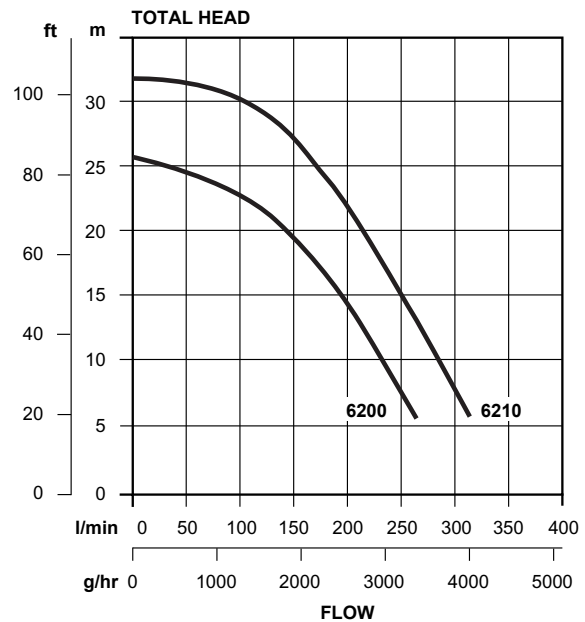
	6200	6210
Capacities to	270lpm	315lpm
Maximum total head	25.5m	31.6m
Maximum suction head		7.0m
Maximum Water Temperature		
Continuous		50°C
10 minute peak		70°C
Minimum Water Temperature		1°C
Inlet size		1½" BSP(F)
Outlet size		1¼" BSP(F)
Maximum Casing Pressure		50m

TECHNICAL SPECIFICATIONS

MATERIALS OF CONSTRUCTION

PART	MATERIAL
Impellers	Glass filled polycarbonate
Pump casing	Glass filled noryl
Seal ring (stationary)	Ceramic
Seal ring (rotating)	Carbon
Shaft	304 stainless steel
Seal elastomer	Nitrile rubber
Pump o-rings	Nitrile rubber
Motor shell	Aluminium
Shell finish	Baked enamel
Motor mounting feet	Xenoy® plastic
Motor through bolts	304 s/s with brass nuts
Motor fan	Galvabond®

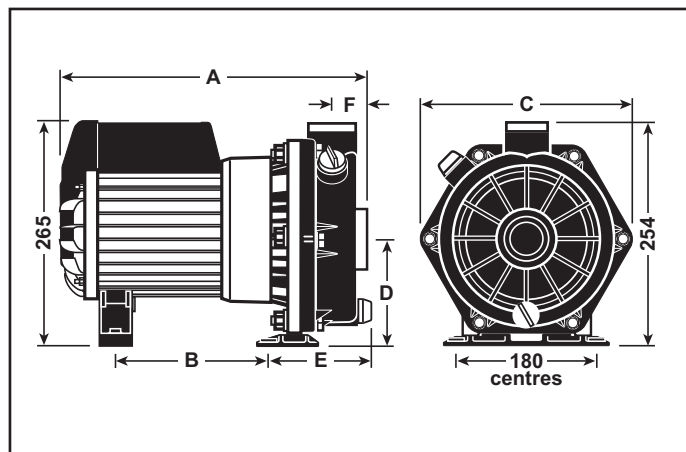
HYDRAULIC PERFORMANCE



ELECTRICAL DATA

	6200	6210	62103Ø
Supply voltage	220-250	220-250	380-415
Supply frequency	50Hz		
Phase	Single		Three
Full load current	6.8A	9.2A	3.7A
Locked rotor current	27A	40A	24A
Input power	1.5kW	2.1kW	2.1kW
Output power	1.0kW	1.6kW	1.8kW
Insulation class	Class F		
Starting	P.S.C.	P.S.C.	DOL
IP rating	IP56		

DIMENSIONS



Model	A	B	C	D	E	F	Mounting Holes Dia. (mm)	Inlet B.S.P.	Outlet B.S.P.	Net Weight (kg)
6200	345	175	250	124	113	40	10	1 1/2" F	1 1/4" F	16.5
6210	365	195	250	124	113	40	10	1 1/2" F	1 1/4" F	19
62103Ø	365	195	250	124	113	40	10	1 1/2" F	1 1/4" F	19

All dimensions in mm unless otherwise stated.

INSTALLATION & PRIMING

- Installation with suction lift require a good quality foot valve to avoid loss of prime.
- To prime, fill pump body and suction line through priming plug hole located above suction inlet and replace plug.



Davey Water Products Pty Ltd

Member of the GUD Group
 ABN 18 066 327 517

AUSTRALIA
Head Office and Manufacturing
 6 Lakeview Drive,
 Scoresby, Australia 3179
 Ph: +61 3 9730 9222
 Fax: +61 3 9753 4100
 Website: davey.com.au

Davey Support Centre
 Ph: 1300 369 100
 Fax: 1300 369 119
 E-mail: sales@davey.com.au

NEW ZEALAND
 7 Rockridge Avenue,
 Penrose, Auckland 1061
 Ph: +64 9 570 9135
 Fax: +64 9 527 7654
 E-mail: sales@daveynz.co.nz
 Website: daveynz.co.nz

Davey Support Centre
 Ph: 0800 654 333

REST OF WORLD
 6 Lakeview Drive,
 Scoresby, Australia 3179
 Ph: +61 3 9730 9121
 Fax: +61 3 9753 4248
 E-mail: export@davey.com.au
 Website: davey.com.au



This literature is not a complete guide to product usage. Further information is available from your Davey dealer, Davey Customer Service Centre and from the relevant product Installation and Operating Instructions. This data sheet must be read in conjunction with the relevant product Installation and Operating Instructions and all applicable statutory requirements. Product specifications may change without notice.
 © Davey and Dynaflo are registered trademarks of Davey Products Pty Ltd. © Davey Water Products Pty Ltd 2012.