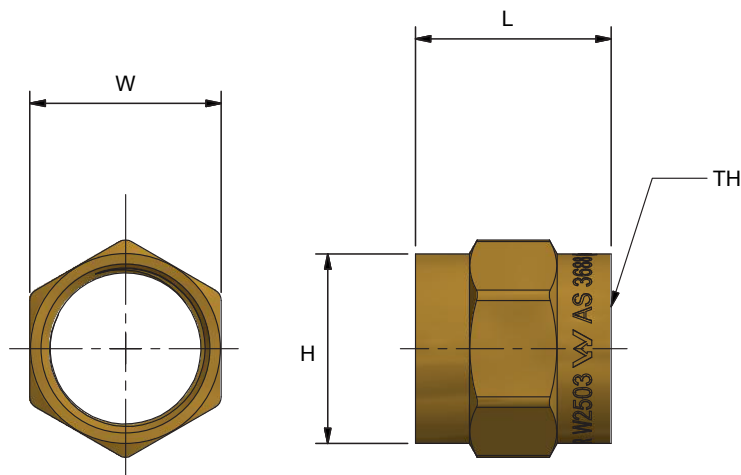


SCREWED BRASSWARE

Hexagon Socket

Product Specifications



Features

Watermark approved

DR Brass

Tested and certified to AS 3688

Specifications

Maximum working temperature 0°C to 60°C

Maximum pressure rating 1600kPa

Sizing Chart [MM]

	L	H	W	TH
AW510	16	14	14	G 1/8"
AW511	23	18	18	G 1/4"
AW513	27	21	21	G 3/8"
AW517	28	25	26	G 1/2"
AW527	32	31	31.6	G 3/4"
AW528	32	31	32	G 3/4"
AW529	35	38	39	G 1"
AW531	50	47	48	G 1 1/4"
AW532	44	54	55	G 1 1/2"
AW534	52	66	66	G 2"

For more information on Metforge, contact:

Austworld 15 Activity Crescent, Molendinar, Queensland 4214 Australia

P. 1300 780 430

F. 1300 780 441

E. info@austworld.com.au

Austworld Pty Ltd. All rights reserved 2018. Austworld and Metforge are registered trade mark belonging to Austworld Pty Ltd.

