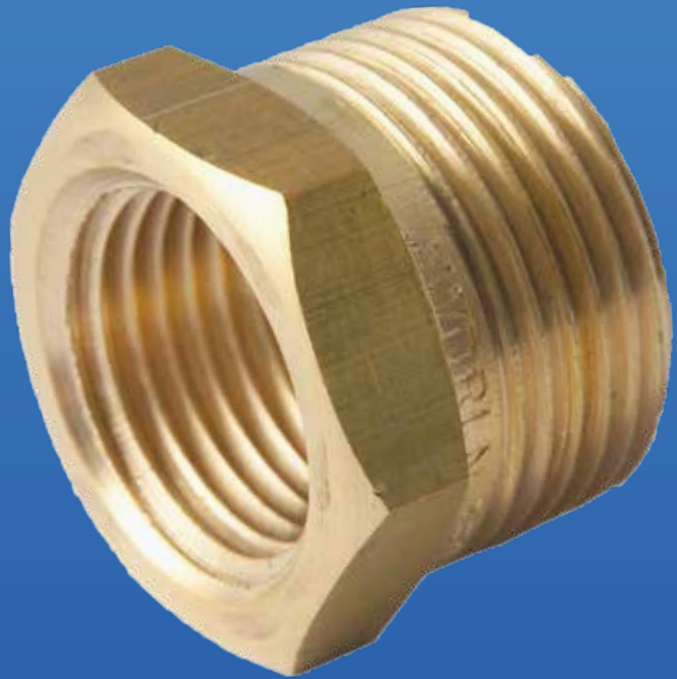


Metforge<sup>®</sup>  
b r a s s w a r e

# SCREWED BUSH REDUCING BRASSWARE 15MM X 10MM

## AW332



### Specifications

- Maximum working temperature 60°C
- Maximum pressure rating 2000kPa

### Features

- Watermark Approved
- DR Brass

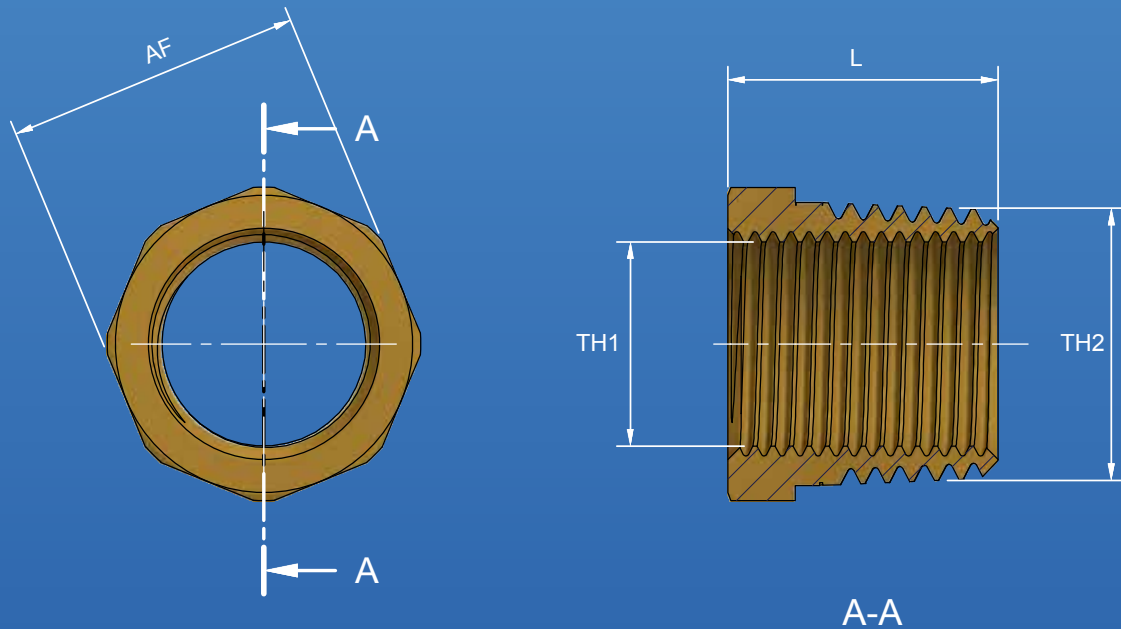


Austworld  
PO Box 311  
Ashmore City  
QLD 4214

P: 1300 780 430  
F: 1300 780 441  
E: [info@austworld.com.au](mailto:info@austworld.com.au)  
W: [www.austworld.com.au](http://www.austworld.com.au)



## SCREWED BUSH REDUCING BRASSWARE 15MM X 10MM



### Material Chart

	AF	L	TH1	TH2
AW332	22	20	RP 3/8"	R 1/2"