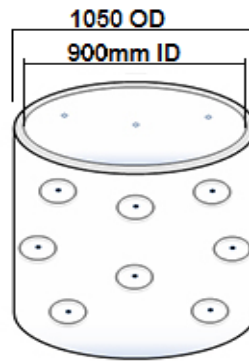
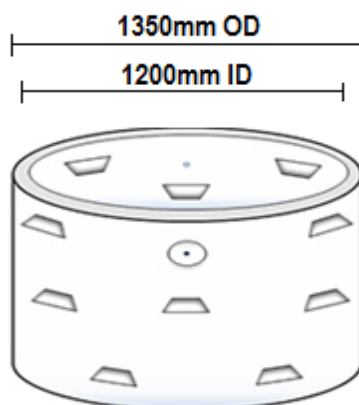


Soakwells

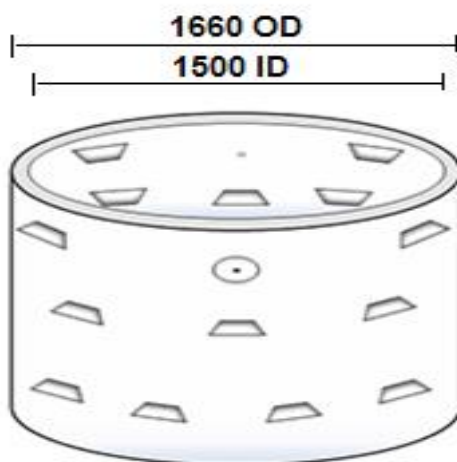
Item No.	CONCRETE SOAKWELLS - 600mm ID
CPSW600600	Concrete Soakwell - 600 x 600 - 70kg
Item No.	CONCRETE SOAKWELLS - 900mm ID
CPSW9001200	Concrete Soakwell - 900 x 1200 - 450kg
CPSW900600	Concrete Soakwell - 900 x 600 - 220kg
CPSW900900	Concrete Soakwell - 900 x 900 - 330kg



Item No.	CONCRETE SOAKWELLS - 1200mm ID
CPSW12001200	Concrete Soakwell - 1200 x 1200 - 840kg
CPSW12001500	Concrete Soakwell - 1200 x 1500 - 1040kg
CPSW1200600	Concrete Soakwell - 1200 x 600 - 410kg Made to order
CPSW1200900	Concrete Soakwell - 1200 x 900 - 610kg



Item No.	CONCRETE SOAKWELLS - 1500mm ID
CPSW15001200	Concrete Soakwell - 1500 x 1200 - 1040kg
CPSW15001500	Concrete Soakwell - 1500 x 1500 - 1300kg
CPSW1500600	Concrete Soakwell - 1500 x 600 - 500kg
CPSW1500900	Concrete Soakwell - 1500 x 900 - 780kg



Item No.	CONCRETE SOAKWELLS - 1800mm ID
CPSW1800600	Concrete Soakwell - 1800 x 600 - 700kg
CPSW1800900	Concrete Soakwell - 1800 x 900 - 1050kg

