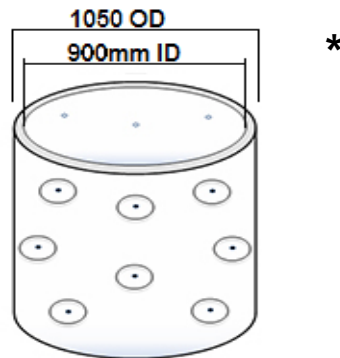


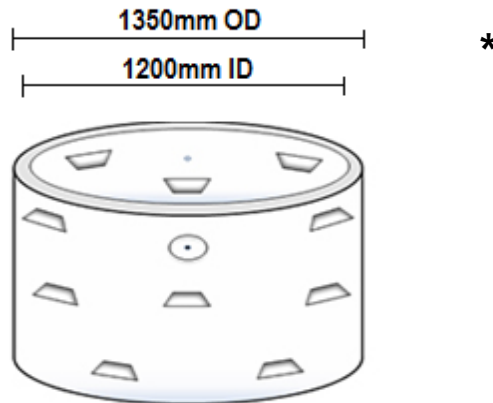
# Soakwells

| Item No.    | CONCRETE SOAKWELLS - 600mm ID          |
|-------------|--|
| CPSW600600  | Concrete Soakwell - 600 x 600 - 70kg   |
| Item No.    | CONCRETE SOAKWELLS - 900mm ID          |
| CPSW9001200 | Concrete Soakwell - 900 x 1200 - 450kg |
| CPSW900600  | Concrete Soakwell - 900 x 600 - 220kg  |
| CPSW900900  | Concrete Soakwell - 900 x 900 - 330kg  |

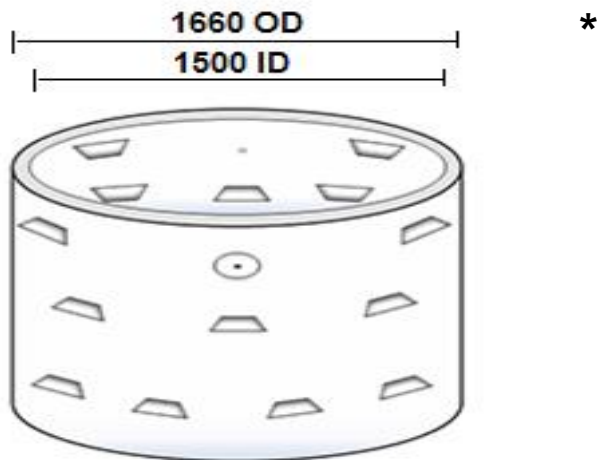


**\*As per industry standard, no grooves or pipe inlets have been outlined for soakwells - diagrams and images for illustrative purposes only.**

| Item No.     | CONCRETE SOAKWELLS - 1200mm ID                       |
|--------------|--|
| CPSW12001200 | Concrete Soakwell - 1200 x 1200 - 840kg              |
| CPSW12001500 | Concrete Soakwell - 1200 x 1500 - 1040kg             |
| CPSW1200600  | Concrete Soakwell - 1200 x 600 - 410kg Made to order |
| CPSW1200900  | Concrete Soakwell - 1200 x 900 - 610kg               |

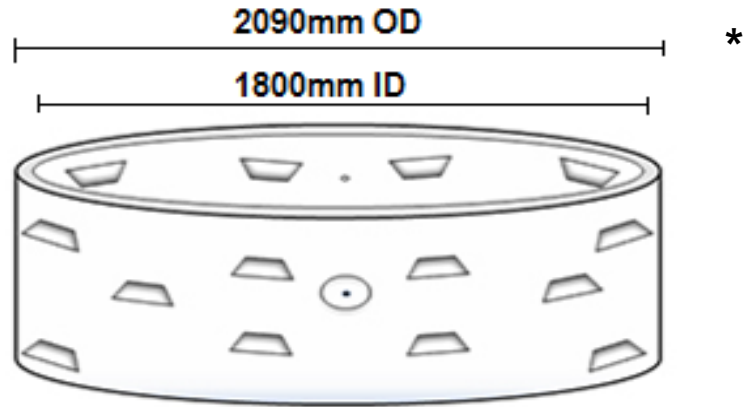


| Item No.     | CONCRETE SOAKWELLS - 1500mm ID           |
|--------------|--|
| CPSW15001200 | Concrete Soakwell - 1500 x 1200 - 1040kg |
| CPSW15001500 | Concrete Soakwell - 1500 x 1500 - 1300kg |
| CPSW1500600  | Concrete Soakwell - 1500 x 600 - 500kg   |
| CPSW1500900  | Concrete Soakwell - 1500 x 900 - 780kg   |



**\*As per industry standard, no grooves or pipe inlets have been outlined for soakwells - diagrams and images for illustrative purposes only.**

| Item No.    | CONCRETE SOAKWELLS - 1800mm ID          |
|-------------|---|
| CPSW1800600 | Concrete Soakwell - 1800 x 600 - 700kg  |
| CPSW1800900 | Concrete Soakwell - 1800 x 900 - 1050kg |



**\*As per industry standard, no grooves or pipe inlets have been outlined for soakwells - diagrams and images for illustrative purposes only.**