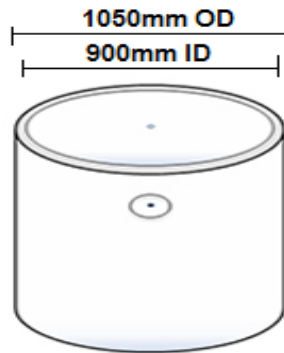
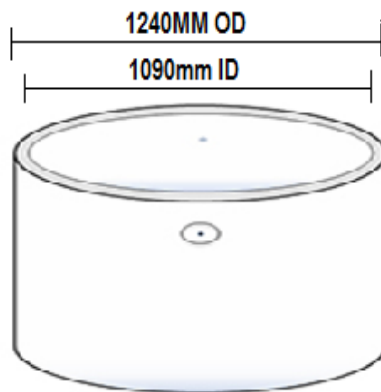


## Concrete Liners

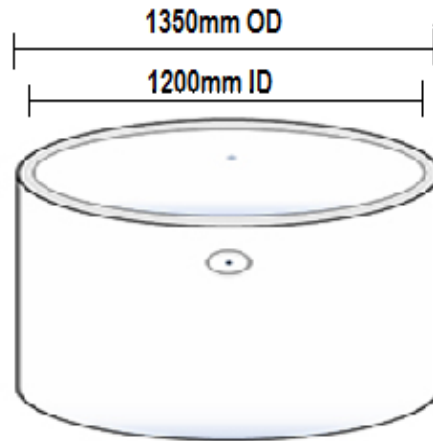
Item No.	CONCRETE LINERS - 600mm ID
CPL600900	Concrete Liner - 600 x 900 - 100kg
Item No.	CONCRETE LINERS - 900mm ID
CPL9001200	Concrete Liner - 900 x 1200 - 475kg
CPL900600	Concrete Liner - 900 x 600 - 230kg
CPL900900	Concrete Liner - 900 x 900 - 350kg



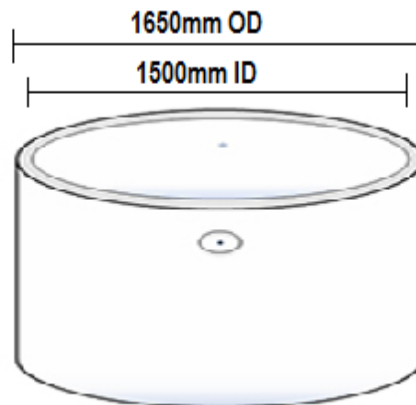
Item No.	CONCRETE LINERS - 1090mm ID
CPL10901200	Concrete Liner - 1090 x 1200 - 570kg
CPL1090600	Concrete Liner - 1090 x 600 - 285kg
CPL1090900	Concrete Liner - 1090 x 900 - 428kg



<b>Item No.</b>	<b>CONCRETE LINERS - 1200mm ID</b>
CPL12001200	Concrete Liner - 1200 x 1200 - 866kg
CPL12001500	Concrete Liner - 1200 x 1500 - 1082kg
CPL1200600	Concrete Liner - 1200 x 600 - 433kg
CPL1200900	Concrete Liner - 1200 x 900 - 649kg



<b>Item No.</b>	<b>CONCRETE LINERS - 1500mm ID</b>
CPL15001200	Concrete Liner - 1500 x 1200 - 1070kg
CPL15001500	Concrete Liner - 1500 x 1500 - 1340kg
CPL1500600	Concrete Liner - 1500 x 600 - 535kg
CPL1500900	Concrete Liner - 1500 x 900 - 802kg



Item No.	CONCRETE LINERS - 1800mm ID
CPL1800600	Concrete Liner - 1800 x 600 - 725kg
CPL1800900	Concrete Liner - 1800 x 900 - 1080kg

