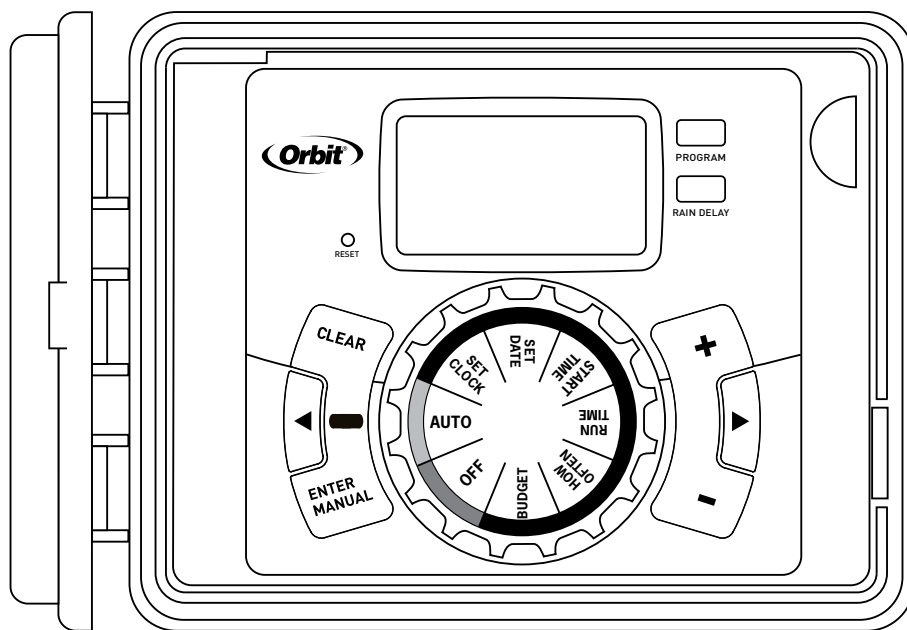




USERS MANUAL

MANUEL DE L'UTILISATEUR

MANUAL DEL USUARIO



MODELS / MODÈLES / MODELOS:

57894, 57896, 57899, 57900,
27894, 27896, 27892, 27999,
91894, 91896, 91892, 91899

PN 57894-24 rA

Congratulations on selecting your new Orbit timer! With Orbit's exclusive Easy-Set Logic™, simple programming and setup are combined with the latest timer technology and versatility.

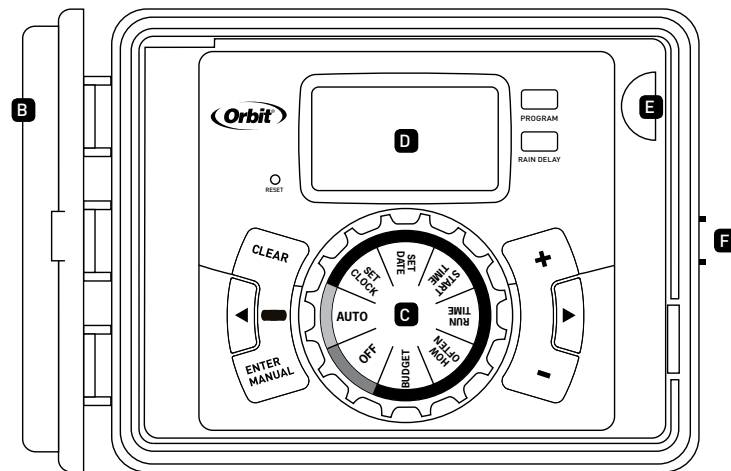
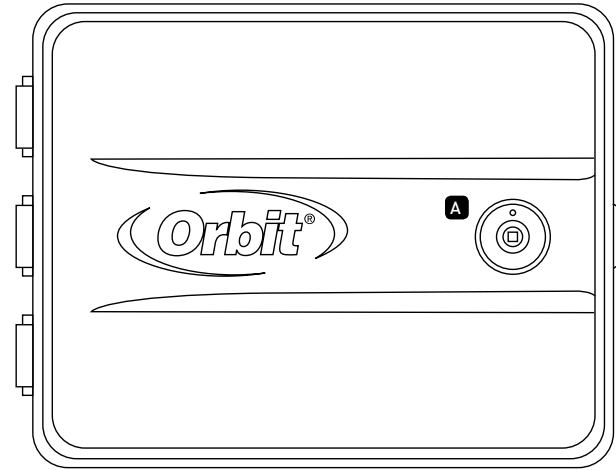
Your new timer provides convenience and flexibility, letting you run a fully automatic, a semi-automatic, or a manual watering program for all your watering needs. Although this timer is so easy to program that you likely will not need instructions, we recommend that you read this manual fully before installation so that you understand all of the advanced features.

Table of Contents

Section 1: Get to know your timer 4
Section 2: Installation 5
Section 3: Programming with Easy-Set Logic™ 9
Section 4: Additional Features 11
Section 5: Reference 13

Section 1: Get to know your timer

- A** Lock and latch
- B** Weather Resistant Cover
- C** Dial
- D** Digital Display
- E** Battery Compartment
- F** Swing Door panel



Buttons	Function
ENTER MANUAL	To confirm a new setting To water manually
CLEAR	To clear a setting
PROGRAM	To move to different programs: A, B, and C
ARROW [▶]	To skip to the next setting / watering station or move to other programs/settings
ARROW [◀]	To go back to the previous setting / watering station or move to other programs/settings
RAIN DELAY	To pause operation for 24-72 hours due to rain or other factors
[+]	To increase a numeric setting
[-]	To decrease a numeric setting

Dial Position	Function
AUTO	Set Program is running
SET CLOCK	Set clock time
SET DATE	Year, Month, and Day
START TIME	Set time to begin watering Year, Month & Day
RUN TIME	Set watering duration for each station
HOW OFTEN	Set frequency of watering days
BUDGET	Adjust overall watering as a percentage
OFF	Turn all stations/functions off

Section 2: Installation

Required Tools

- Phillips Screwdriver
- Wire Strippers

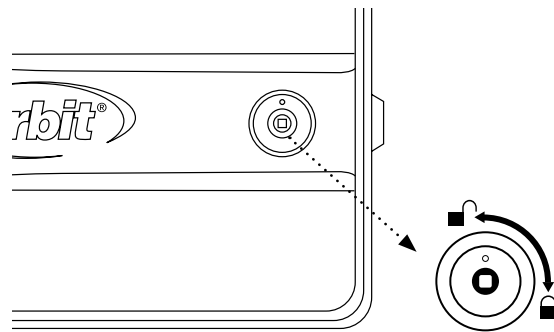
Installation Steps

1. Select a Location
2. Mount the Timer
3. Connect Valve Wires to Timer
4. Connect Electrical Power
5. Activate Battery

1. Select a Location

When choosing a location for your timer, consider the following:

- Choose location near a power source (if hard wiring) or electrical outlet (applicable only to U.S. retail timers)
- Ensure operating temperatures are not below 32° or above 158° Fahrenheit (below 0° Celsius or above 70° Celsius)
- Place it away from direct sunlight if possible
- Ensure at least 9" of space to the left of the sprinkler timer box for the door to swing open after installation
- Locate the timer where there is easy access to sprinkler wire (from valves). If mounted in an outdoor location, shut the compartment door to keep the timer safe from weather damage. To lock: insert the key and turn clockwise to the locked position



Note: Sprinkler timers are weather-resistant to UL-50 and ETL® Listings, but should not be placed in areas where continuous water could cause damage.

2. Mount the Timer

- Use the mounting template (included) to mark the mounting screw location on the wall. See figure 1
- Install a No. 8 screw (included) into wall in the upper template location. Leave the screw head protruding 1/8" (3mm) from wall. Use expanding anchors (included) in plaster or masonry, if necessary, for a secure hold
- Slip the timer over protruding screw (using keyhole slot in back of timer). See figure 2
- Drive a No. 8 screw through one of the two pre-formed holes located in lower back cabinet. See figure 2

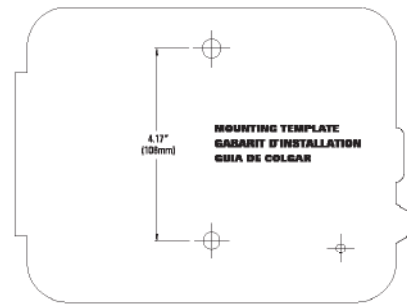


Figure 1: Use Mounting Template (included)

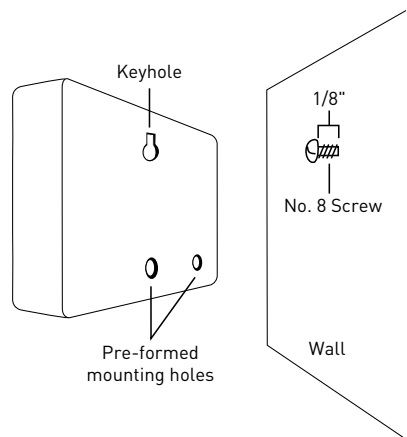


Figure 2: Hang timer on screw using keyhole

3. Connect Valve Wires to Timer

- Strip 1/2" (12 mm) of the plastic insulation off the end of each wire for both the timer wires and the valve wires
- Connect one wire from each valve (it doesn't matter which wire) to a single "Common" sprinkler wire (usually white)
- Connect the remaining wire from each valve to a separate colored sprinkler wire

See figure 3

Note: The maximum loading for each station/pump is 250mA, the maximum loading for the timer is 500mA.

If the distance between the sprinkler timer and valves is under 700' (210 m), use Orbit® sprinkler wire or 20 gauge (AWG) plastic jacketed thermostat wire to connect the sprinkler timer to the valves. If the distance is over 700' (210 m), use 16 gauge (AWG) wire.

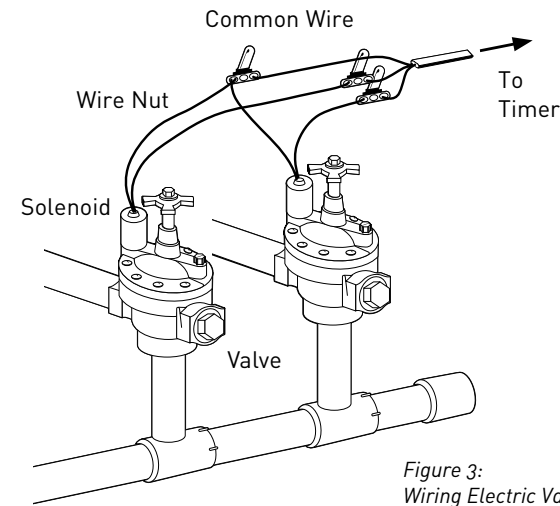


Figure 3: Wiring Electric Valves

Important: All wires should be joined together using wire nuts, solder, and/or vinyl tape. In wet environments like a valve box it is recommended to use Orbit Grease Caps to prevent corrosion of the connection and for protection from water infiltration.

Wiring Electric Valves

Strip 1/2" (12 mm) of plastic insulation off the end of each individual wire. Each valve has two wires. One wire (it doesn't matter which one) is to be connected as the common. The

other valve wire is to be connected to the specific station wire that will control that valve. The common wires for all the valves can be connected together to one common wire going to the controller. To avoid electrical hazards, only one valve should be connected to each station. See figure 4

Important: The wire can be buried in the ground; however, for more protection wires can be pulled through PVC pipe and buried underground. Be careful to avoid burying the wires in locations where they could be damaged by digging or trenching in the future.

Your timer is equipped with the simple "push-in" terminals for easy connection. Connect common wire to the common terminal. Connect remaining wires to corresponding terminal locations.

Only connect one valve to each terminal (station)

Station 1

Strip wire

Push in

Push tab

upward to

release wire

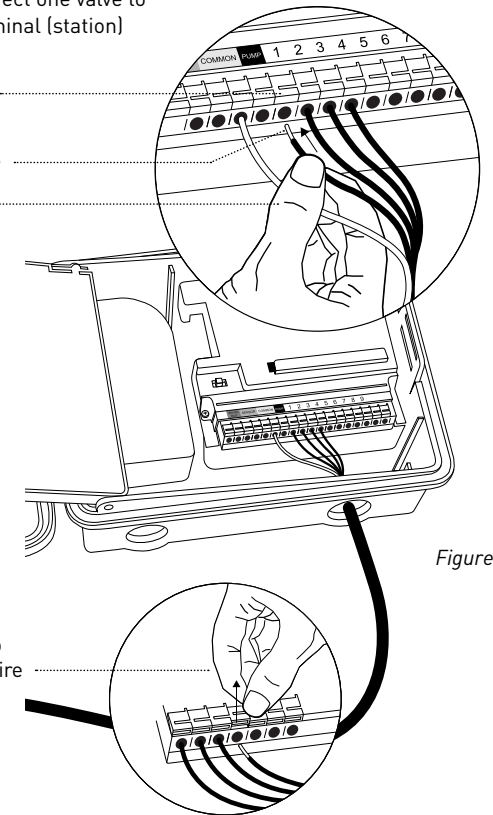


Figure 4

4. Connect Electrical Power

Indoor Locations – Insert the power cord into an 110V electrical outlet.

Outdoor Locations – If a covered Ground Fault Interrupter (GFI) outlet is available, insert the power cord into the 110 volt outlet. If no outlet is available, the timer must have the wiring permanently installed (*see figure 5)

- Turn off the AC power at the AC circuit breaker and apply an appropriate safety lockout. Verify that the power has been turned off to the installation site using an AC voltmeter set for the correct measurement range.
- Use power feed wire of 14 gauge (AWG) minimum with a temperature rating of 155 degrees Fahrenheit (68 degrees Celsius) or higher.
- Install the conduit and associated fittings. Connect the AC electrical power wiring to the source by following all the right codes and local standards.
- Connect the junction box to the Timer using a 1/2" nipple (Junction box and nipple not included). [See Figure 5] Connect the source power conduit to the entrance of the junction box, following all the appropriate codes.
- Take the cord (running from the timer to the junction box) from the junction box and cut it to length. Remove the outer insulation (from cord) to expose the three wires.
- Connect the source wires to the wires extending from the sprinkler timer.
- For USA: Take care to follow the correct color code. Connect the Green for Ground, Black for Live, and White for Neutral. Often the source ground may be bare copper conductor rather than green wire.
- For Europe: Live is Brown and Neutral is Blue, there is no ground connection required. Be sure that all wires are connected to the proper source wire.
- Make sure all connections are made with code-approved insulated connectors.
- Be sure to place a weatherproof gasket and lid on the junction box.
- Turn AC power on at the AC circuit breaker.

Important: Installation Using Permanent Wiring

The sprinkler timer has a built-in transformer that must be connected to an AC line voltage source. Check the back of the sprinkler timer box for power requirements. Local building and electrical codes usually require that an approved electrical

conduit and electrical fittings be used to connect exterior wall-mounted equipment to AC power. Please check local codes. Any permanent connection should be made by a licensed electrical contractor in accordance with the requirements of the National Electrical Code and other state and local codes.

This sprinkler timer has two holes at the bottom for wire access. Use a 1/2" Nipple to connect the sprinkler timer to a standard electrical junction box. Both connector and junction box must be UL Listed or equivalent or comply with IEC or EN standards or equivalent.

The wire can be buried in the ground; however, for more protection wires should be pulled through electrical conduit and buried underground. Be careful to avoid burying the wires in locations where they could be damaged by digging or trenching in the future.

Caution: Do not connect the sprinkler timer to one phase of a three phase power system used by a pump or other electrical equipment.

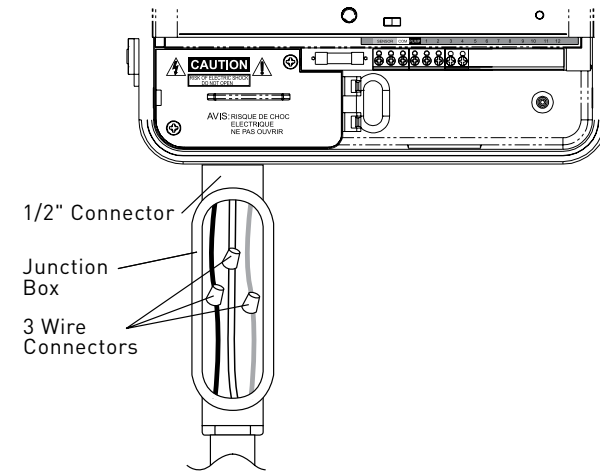


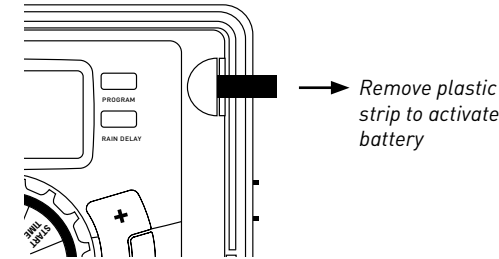
Figure 5: Using a Junction Box

Note: For outdoor applications it is recommended that a qualified electrician complete the installation in accordance with electrical codes and regulations. When used outdoors this sprinkler timer is intended for use with a Ground Fault Interrupter (GFI) protected circuit.

5. Activate Battery

One Lithium CR2032 battery (included) is required to retain the program in memory during power loss. Annual replacement is recommended.

Remove the plastic strip to activate the pre-installed battery. (See page 12 for battery replacement)



Note: The battery alone will not operate the valves in your sprinkler system. The sprinkler timer has a built-in transformer that must be connected to an AC voltage source.

Section 3: Programming with Easy-Set Logic™

A note about multiple programs

Your sprinkler timer provides the flexibility of using 3 independent programs (A,B,C). A program is where you store all of your sprinkler settings. It consists of a group of stations set to specific start times and run times. Multiple programs allow you to run different valves on different days with different run times. While many applications only require one program (A), using multiple programs can be useful for drip areas, newly planted lawn, or rotary sprinkler stations. Using programs to group stations with similar water needs will maximize irrigation efficiency.

Primary programming can be accomplished in just a few basic steps.

Primary Programming

Press the [RESET] to clear any previous factory programming

1. Set Clock

- Turn dial to [SET CLOCK]

- Press the [+/-] buttons to set the current time of day

Tip: To increase or decrease more rapidly, hold down either the [+] or [-] buttons until the display goes into rapid advance mode.

- Press the [◀ ▶] buttons to set am/pm
- Turn dial to accept time

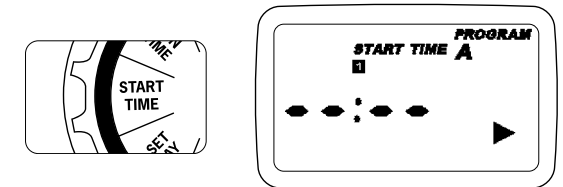
2. Set Date

- Turn dial to [SET DATE]
- Y/M/D will appear (blinking letter indicates selection)
- Press the [+/-] buttons to set the correct year, then press [ENTER] or [◀ ▶]
- Press the [+/-] buttons to set the correct month, then press [ENTER]
- Press the [+/-] buttons to set the correct date
- Turn dial to accept date

3. Start time

- Turn dial to [START TIME]
- Press the [+/-] buttons to select time you'd like your watering to begin (time will adjust in 15 minute increments)

The display will show



Please note that [START TIME] is the time of day that your programmed watering starts. You can set up to 4 start times. All stations that have a programmed run time (how long) will run in sequence at these times

Note: Start-Time Stacking

When a start time is set before the previous program has completed, that start time will be "stacked" or delayed, and will start upon completion of the previous program.

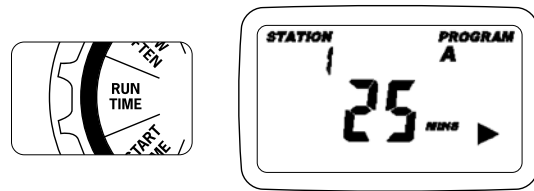
Example: Bill just planted new grass seed and wants to water three times per day. He sets START TIME 1 for 5am, START TIME 2 for 12pm, and START TIME 3 for 5 pm.

He also sets HOW OFTEN to INT (interval) EVERY 1 DAYS (see section 3, HOW OFTEN).

In AUTO mode the system will water 3 times per day. Once Bill's sod is established he can CLEAR start times 2 and 3 and return to watering just once per day.

4. Run Time

- Turn the dial to [RUN TIME]



STATION is the area that will be watered by each valve. On this screen the RUN TIME or duration for each station is set.

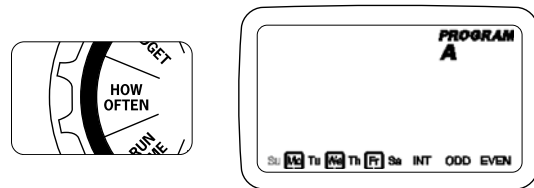
- Press the [◀ ▶] to select a station and press the [+/-] buttons to enter the watering duration for that station
- Press [ENTER] or the [◀ ▶] buttons to move to the next station/valve, and enter watering duration for each station

5. How Often

- Turn the dial to [HOW OFTEN] - this screen allows you to set how often to water.

There are 3 options provided:

1. Days of the week (Mon, Tues, Wed, etc.)
2. Intervals (Every "X" number of days)
3. Odd or Even Days



Days of the Week

- Your dial should be set to [HOW OFTEN]
 - Display will show the current program (A,B, or C)
 - Press the [◀ ▶] buttons to move from one day to another
 - Press [+] or [ENTER] to select a day for watering. A frame will appear around the selected days.
- To delete a previously entered day, press [-] or [CLEAR]

Example: Monday, Wednesday, & Friday

Intervals

- Use the [◀ ▶] buttons to move to the INTERVAL option "INT"
- Press [+/-] buttons to select the number of days between watering

Example: An interval of 1 will water every day; an interval of 3 will water every 3rd day, etc.

Odd or Even Days

- Use the [◀ ▶] buttons to move to the ODD or EVEN day watering
 - Press [+] or [ENTER]
- Selecting a different option or pressing clear will erase the previous selection

Example: Odd: 1st, 3rd, 5th, etc.

Example: Even: 2nd, 4th, 6th, etc.

Turn the dial to [AUTO] and that's it!
You have programmed your timer!

Turn dial to [AUTO] to activate your program

Note: If your program is lost, the factory installed fail-safe program will turn on each station every day for 10 minutes

Note: Your prior programming will not be disturbed unless altered. Always be aware of the program you are in (A, B, or C) when you are making changes.

Reviewing and Changing Your Program

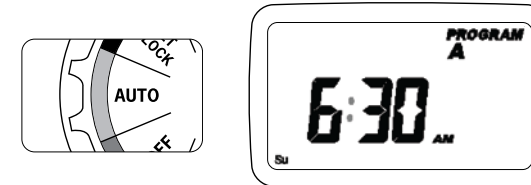
If you want to review or change the start times, run times, or how often to water, simply follow the directions again for that option. After reviewing or changing a watering schedule, remember to turn the dial back to [AUTO] for automatic operation.

Section 4: Additional Features

Rain Delay

[RAIN DELAY] allows you to delay your sprinkler timer from watering for a set period of time. Delay settings are 24, 48, and 72 hours.

- Turn dial to [AUTO]



- Press the [RAIN DELAY] button to automatically delay watering for 24 hours
- If a longer Rain Delay is desired, press the [◀ ▶] buttons to increase or decrease the setting.
- Press [ENTER] or wait 10 seconds and the selected rain delay will begin.
- [CLEAR] button stops the rain delay and scheduled watering will resume.
- At the end of the selected rain delay amount of time, automatic watering resumes.
- While in rain delay mode, the timer display will switch between the actual time and the remaining hours of the delay, every 2 seconds

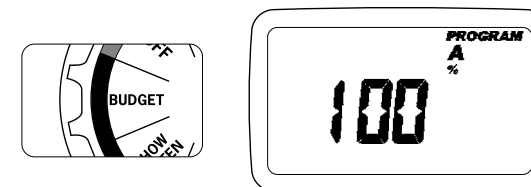
Water Budgeting

Water Budgeting is a simple way to adjust your watering duration to match seasonal watering needs. Water Budgeting works by increasing or decreasing watering duration for all stations in each program. Press the [PROGRAM] button to select the program you wish to budget.

Adjustment range is from 10% to 200% by increments of 10%. The default value is 100%. The budgeting will remain on the adjusted range until you change it.

To set budgeting:

- Turn dial to [BUDGETING]



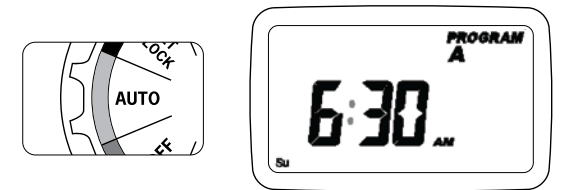
- To adjust press [+/-] buttons, press [ENTER]
- If using multiple programs (A, B, or C) Press the [PROGRAM] button to move to the desired program and make the needed adjustment

Example: Bill's watering duration is set at 60 minutes however; it is the spring time so he wants to water half as long so he sets his budgeting to 50%, his timer will now water for 30 minutes.

Manual Watering

Your timer has the ability to allow you to manually water without disturbing the preset program.

- Turn the dial to [AUTO]



- Press the [MANUAL] button. Display will show ABC and ALL. After a few seconds or by pressing [ENTER] the timer will begin manual watering
- All stations will water consecutively for their programmed duration

Note: If the run times have not been set, the timer will not initiate manual watering and the screen will return to the current time.

- To specify a specific program or stations, Press the [◀ ▶] buttons to select A, B, or C.
- Press [ENTER] to activate
- To select a specific station, continue pressing the [◀ ▶] buttons until desired station number appears
- Press the [+/-] to enter the desired duration from 1 to 240 minutes
- Wait 5 seconds and your station will begin
- To stop Manual Watering press [CLEAR]
- The timer will go back to your original automatic watering schedule

Example: To manually water on station 3 for five minutes, press the [MANUAL] button then press the [◀ ▶] buttons until you see station 3; using the [+/-] buttons, set duration to five minutes; press [ENTER].

Note: After the [MANUAL] button has been pushed, if a selection is not made within 5 seconds all stations and programs will begin watering using the programmed RUN TIMES. If no RUN TIMES have been set, nothing will happen and the display will return to the time of day.

Connecting a Rain Sensor

- Connect the rain sensor wires to the wiring terminal ports [yellow in color] labeled "Sensor"

Note: Refer to your rain sensor manual for specific wiring instructions.

- Place the sensor on/off switch to the "on" position to begin operation (see figure 6)

Rain Sensor Bypass

This sprinkler timer is equipped with a sensor override "on/off" switch. This switch is for use during maintenance and repairs, so the sprinkler timer can be operated even if the rain sensor is in active mode.

Important: If the rain sensor switch is in the "on" position and no sensor is connected, the sprinkler timer will not operate. To resume sprinkler timer operation place the switch in the off position

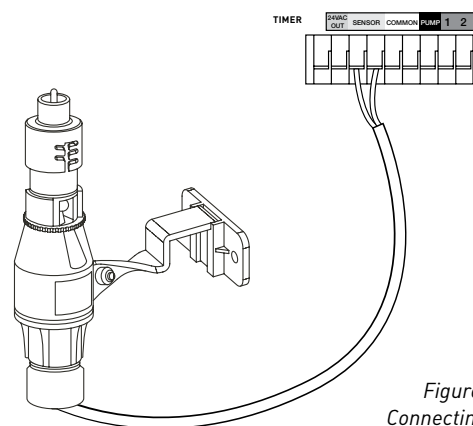


Figure 6:
Connecting a Rain Sensor

Pump Start & Master Valve

This sprinkler timer allows a master valve or pump start relay to operate whenever a station is on.

Note: If you are activating a pump from this timer, you must purchase a Pump Start Relay. From the pump start relay (or master valve); connect one wire to the "Pump" terminal and the other wire to the "Common" terminal.

Replacing the Battery

Timer requires a CR2032 Lithium battery

- The battery will maintain your program in case of an AC power loss
- Battery should last approximately one year
- Open by sliding the battery tray out to the right
- Insert one CR2032 battery into the compartment with the + side up
- Slide back into place.

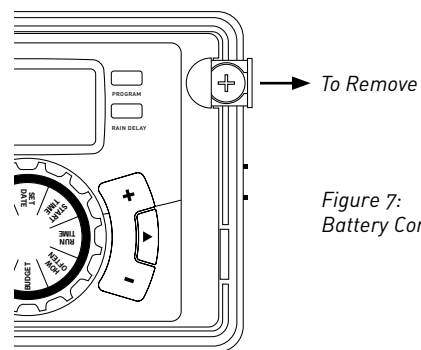


Figure 7:
Battery Compartment

A weak or missing battery can cause the time, date, and program to be erased after a power failure. If this happens, you will need to install a fully charged battery and reprogram the timer.

Tip: Replace battery every year, to avoid loss of programming

Note: A battery alone will not operate the valves in your sprinkling system. The sprinkler timer has a built-in transformer that must be connected to an AC line voltage source.

Section 5: Reference

TERM	DEFINITION
START TIME	The time the program begins watering the first programmed station.
VALVE	Supplies water to a specific station or area. The opening and closing of the valve is accomplished through electrical current supplied by the sprinkler timer.
MASTER VALVE	Typically located at the main water source. Turns on and off water for the entire irrigation system when not in use.
MULTIPLE START TIMES	A controller feature that allows a program to be operated multiple times on the same watering day.
OVERLAPPING PROGRAMS	When a "Start Time" is set for a program before the previous program has completed.
PROGRAM (A, B, OR C)	Individual programs as set by the user. Each program operates independently. If one program overlaps the other the programs will be "stacked." After the first program finishes the next program will begin.
RAIN DELAY	A feature that postpones the running of a scheduled watering program for a specific duration.
SOLENOID	The electrical part on an irrigation valve that opens and closes the valve.
SPRINKLER TIMER	A device which instructs the station valves to operate.
STATION	A grouping of sprinklers operated by a single valve which is controlled by the timer.
WATERING BUDGETING	Adjusts your overall watering program as a percentage of total watering duration.

Troubleshooting

PROBLEM	POSSIBLE CAUSE
One or more valves do not turn on	1. Faulty solenoid connection
	2. Wire damaged or severed
	3. Flow control stem screwed down, shutting valve off
	4. Programming is incorrect
Stations turn on when they are not supposed to	1. Water pressure is too high
	2. More than one start time is programmed
	3. AM/PM is incorrect
One station is stuck on and will not shut off	1. Faulty valve
	2. Particles of dirt or debris stuck in valve
	3. Valve diaphragm faulty
All valves do not turn on	1. Transformer defective or not connected
	2. Programming is incorrect
Timer will not power up	1. Transformer not plugged into a working outlet
Valves continue to turn on and off when they are not programmed	1. More than one start time is programmed with overlapping schedules
	2. Excessive pressure

HELP

1-800-488-6156 or 1-801-299-5555

www.orbitonline.com

Before returning this sprinkler timer to the store, contact Orbit® Technical Service at: 1-800-488-6156, 1-801-299-5555 Listings

LISTINGS

The sprinkler timer is tested to UL-50 standard & is ETL® listed.

Appropriate international models are CSA® and CE® approved.

This Class B digital apparatus complies with Canadian ICES-003.

Disconnection : Type 1Y

Normal Pollution Situation.

The supply cord of this control can be replaced only by the manufacturer or his accredited service agent.

TRADEMARK NOTICE

WaterMaster® is a registered trademark of Orbit® Irrigation Products, Inc. The information in this manual is primarily intended for the user who will establish a watering schedule and enter that schedule into the sprinkler timer. This product is intended to be used as an automatic sprinkler timer for activating 24 VAC irrigation valves, as described in this manual.

WARRANTY AND STATEMENT

Orbit® Irrigation Products, Inc. warrants to its customers that its products will be free from defects in materials and workmanship for a period of six years from the date of purchase.

We will replace, free of charge, the defective part or parts found to be defective under normal use and service for a period of up to six years after purchase (proof of purchase required).

We reserve the right to inspect the defective part prior to replacement.

Orbit® Irrigation Products, Inc. will not be responsible for consequential or incidental cost or damage caused by the product failure. Orbit® liability under this warranty is limited solely to the replacement or repair of defective parts.

To exercise your warranty, return the unit to your dealer with a copy of the sales receipt.

This device complies with Part 15 of the FCC Rules. Operation is subject to the following two conditions: (1) This device may not cause harmful interference, and (2) This device must accept any interference received, including interference that may cause undesired operation.

Warning: Changes or modifications to this unit not expressly approved by the party responsible for compliance could void the user's authority to operate the equipment.

NOTE: This equipment has been tested and found to comply with the limits for a Class B digital device, pursuant to Part 15 of the FCC Rules. These limits are designed to provide reasonable protection against harmful interference in a residential installation. This equipment generates, uses and can radiate radio frequency energy and, if not installed and used in accordance with the instructions, may cause harmful interference to radio communications. However, there is no guarantee that interference will not occur in a particular installation.

If this equipment does cause harmful interference to radio or television reception, which can be determined by turning the equipment off and on, the user is encouraged to try to correct the interference by one or more of the following measures:

- Reorient or relocate the receiving antenna.
- Increase the separation between the equipment and receiver.
- Connect the equipment into an outlet on a circuit different from that to which the receiver is connected.
- Consult the dealer or an experienced radio/TV technician for help.

Caution: This appliance is not intended for use by young children or infirm persons without supervision. Young children should be supervised to ensure that they do not play with the appliance.

Nous vous félicitons d'avoir fait l'acquisition de cette nouvelle minuterie Orbit! Grâce à l'appareil Easy-Set Logic™, exclusif à Orbit, qui combine la polyvalence de la minuterie et la plus récente technologie, la programmation et le réglage deviennent encore plus faciles.

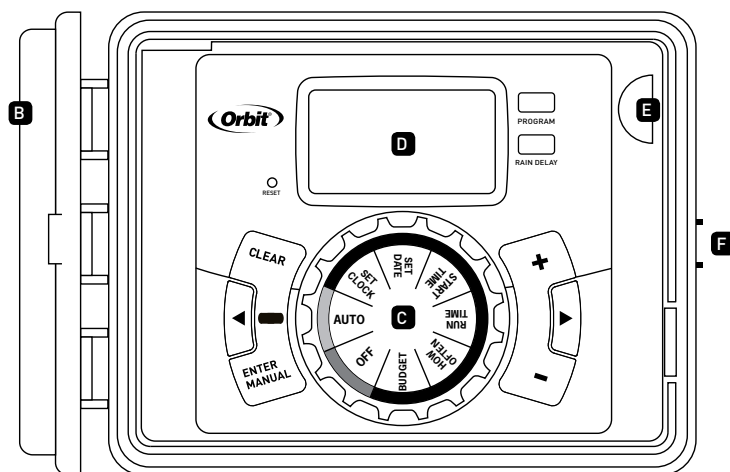
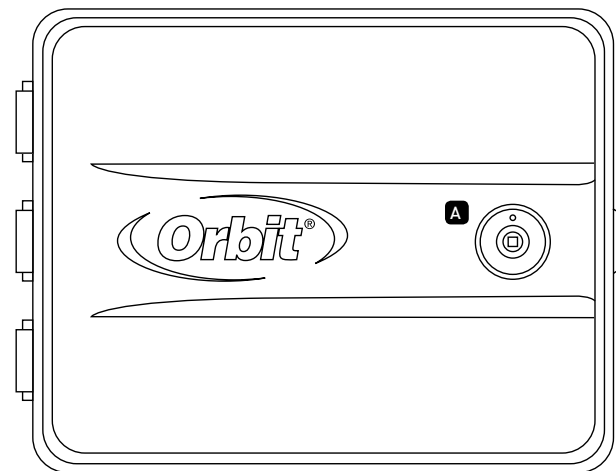
Votre nouvelle minuterie est pratique et flexible et vous offre un choix de programmes entièrement automatiques, semi-automatiques ou manuels convenant à tous vos besoins d'arrosage. Même si cette minuterie est si facile à régler que vous n'aurez probablement pas besoin d'instructions pour la faire fonctionner, nous vous recommandons de lire entièrement le présent manuel avant d'installer l'appareil pour que vous compreniez bien toutes ses caractéristiques de pointe.

Table des matières

Section 1 : Connaître votre minuterie	18
Section 2 : Installation	19
Section 3 : Programmation avec Easy-Set Logic™	23
Section 4 : Caractéristiques supplémentaires	25
Section 5 : Références	28

Section 1: Connaître votre minuterie

- A** Verrou
- B** Couvercle résistant aux intempéries
- C** Cadran de sélection
- D** Affichage numérique
- E** Compartiment de la pile
- F** Panneau de porte pivotant



Bouton	Fonction
ENTER MANUAL	Pour confirmer un nouveau réglage Pour arroser manuellement
CLEAR	Pour effacer un réglage
PROGRAM	Pour changer de programme : A, B et C
FLÈCHE [▶]	Pour passer à la fonction de réglage ou à la zone d'arrosage suivante, ou pour changer de programme ou de fonction de réglage
FLÈCHE [◀]	Pour passer à la fonction de réglage ou à la zone d'arrosage suivante, ou pour changer de programme ou de fonction de réglage
RAIN DELAY	TPour interrompre l'arrosage pendant 24 à 72 heures en raison de la pluie ou d'autres facteurs
[+]	Pour augmenter la valeur numérique d'un réglage
[-]	Pour diminuer la valeur numérique d'un réglage

Position du cadran de sélection	Fonction
AUTO	Le programme réglé est en fonction
SET CLOCK	Pour régler l'horloge
SET DATE	Année, mois et jour
START TIME	Réglage de l'année, du mois et du jour pour commencer l'arrosage
RUN TIME	Réglage de la durée d'arrosage de chaque zone
HOW OFTEN	Réglage de la fréquence des jours d'arrosage
BUDGET	Ajustement en pourcentage de l'arrosage général
OFF	Arrêt de l'arrosage de toutes les zones ou des fonctions d'arrosage

Section 2: Installation

Outils nécessaires

- Tournevis cruciforme
- Pincettes à dénuder

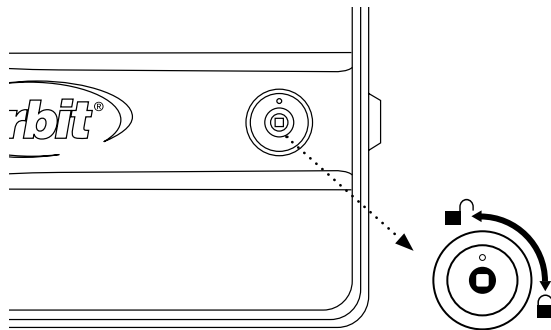
Étapes d'installation

1. Choisir un emplacement
2. Installer la minuterie
3. Raccorder les fils de la vanne à la minuterie
4. Brancher l'alimentation électrique
5. Activer la pile

1. Choisissez un emplacement.

Lorsque vous choisissez l'emplacement de votre minuterie, tenez compte des éléments suivants :

- Choisissez un endroit près d'une source d'alimentation électrique (si vous reliez le système par câble) ou d'une prise électrique (uniquement pour les minuteries vendues au détail aux États-Unis).
- Assurez-vous que la température de fonctionnement ne se situe pas sous 0 degré Celsius ou au-dessus de 70 degrés Celsius.
- Placez si possible votre minuterie à l'écart des rayons directs du soleil.
- Laissez au moins 23 cm d'espace à gauche du boîtier de la minuterie pour pouvoir ouvrir la porte après l'installation.
- Installez la minuterie dans un endroit où vous pourrez facilement avoir accès aux fils à arroseur (provenant des vannes). Si la minuterie est installée à l'extérieur, fermez la porte du boîtier pour protéger la minuterie des intempéries. Pour verrouiller : insérez la clé et tournez-la dans le sens des aiguilles d'une montre jusqu'à la position de verrouillage.



Remarque : Les minuteries pour arroseur sont homologuées UL-50 et ETL® pour la résistance aux intempéries, mais elles ne devraient pas être installées dans un endroit continuellement en contact avec de l'eau, car elles risqueraient de subir des dommages.

2. Installez la minuterie.

- À l'aide du gabarit d'installation (inclus), marquez l'emplacement des vis de montage sur le mur. Consultez la figure 1.
- Vissez la vis de calibre 8 (incluse) dans le mur à l'emplacement du trou supérieur du gabarit. Laissez la tête de la vis dépasser de 3 mm du mur. Au besoin, pour que la vis soit solidement en place, utilisez des ancrages à expansion (inclus) dans du plâtre ou de la maçonnerie.
- Glissez la minuterie sur la vis qui dépasse (dans l'encoche en forme de trou de serrure au dos de la minuterie). Consultez la figure 2.
- Vissez une vis de calibre 8 dans un des deux trous déjà perforés situés dans la partie inférieure du dos du boîtier. Consultez la figure 2.

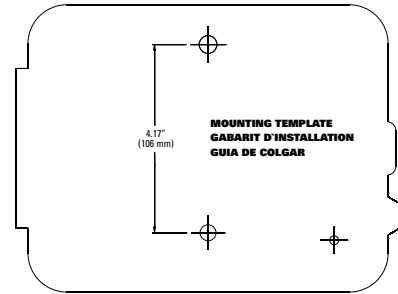


Figure 1 : Servez-vous du gabarit d'installation (inclus).

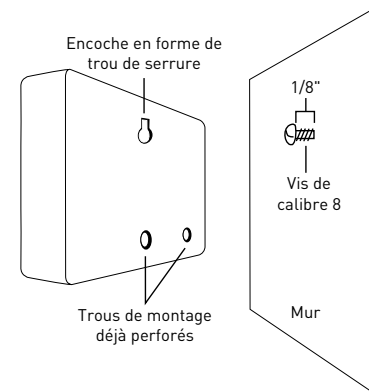


Figure 2 : Accrochez la minuterie au mur en insérant la vis dans l'encoche en forme de trou de serrure.

3. Raccordez les fils de la vanne à la minuterie.

- Dénudez 12 mm (1/2 po) à l'extrémité de chaque fil de la minuterie et des vannes.
- Raccordez un fil de chaque vanne (peu importe lequel) à un seul fil à arroseur neutre (généralement blanc).
- Raccordez un fil à arroseur de couleur à chacun des fils de vanne restants.

Consultez la figure 3.

Remarque : Si la distance entre la minuterie pour arroseur et les vannes est inférieure à 210 m (700 pi), utilisez du fil à arroseur Orbit® ou du fil à thermostat à gaine de plastique de calibre 20 AWG pour brancher la minuterie pour arroseur sur les vannes. Si la distance est supérieure à 210 m (700 pi), utilisez du fil de calibre 16 AWG.

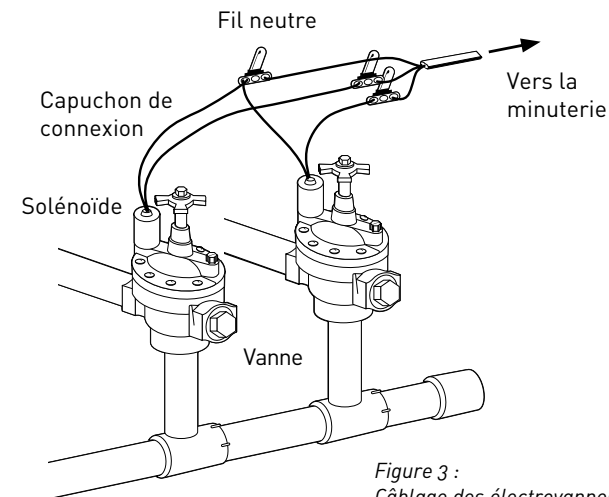


Figure 3 : Câblage des électrovannes

Important : Raccordez tous les fils à l'aide de serre-fils, de brasure (soudure) ou de ruban de vinyle. Dans un environnement humide comme un boîtier de vannes, nous vous recommandons d'utiliser des chapeaux graissés Orbit pour prévenir la corrosion de la connexion et la protéger des infiltrations d'eau.

Câblage des électrovannes

Dénudez 12 mm (1/2 po) à l'extrémité de chaque fil. Chaque vanne est munie de deux fils. Vous devez utiliser un des fils (peu importe lequel) comme conducteur neutre. L'autre fil de vanne doit être raccordé au fil de la zone qui contrôlera

cette vanne. Les fils neutres de toutes les vannes peuvent être raccordés ensemble à un seul fil neutre branché à la minuterie. Pour éviter les risques électriques, raccordez une seule vanne à chaque zone. Consultez la figure 4.

Important : Vous pouvez enterrer le fil. Pour une protection supplémentaire, vous pouvez toutefois l'insérer dans un tuyau en PVC avant de l'enterrer. Évitez d'enterrer le fil là où il pourrait éventuellement être endommagé par un creusement.

Votre minuterie est munie de simples bornes serre-fils pour faciliter le raccordement. Raccordez le fil neutre à la borne commune. Raccordez les fils restants aux bornes correspondantes.

Ne raccordez qu'une seule vanne à chacune des bornes (zone).

Zone 1

Dénudez le fil

Enfoncez

Tirez l'onglet vers le haut pour libérer le fil

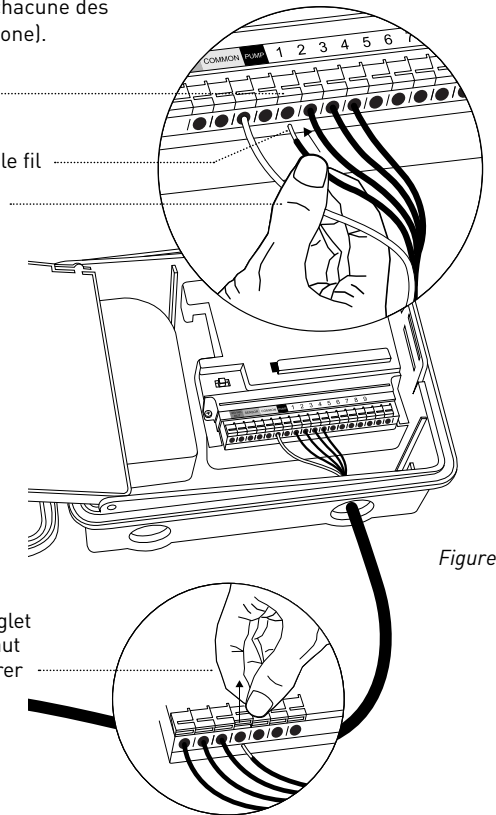


Figure 4

4. Branchez l'alimentation électrique.

Emplacement à l'intérieur – insérez la fiche du cordon d'alimentation dans une prise murale de 110 V.

Emplacement à l'extérieur – si une prise couverte avec disjoncteur de fuite à la terre est disponible, insérez la fiche du cordon d'alimentation dans la prise de 110 V. Si aucune prise n'est disponible, vous devez raccorder le câblage de la minuterie de façon permanente (*consultez la figure 5)

- Coupez l'alimentation en c.a. à partir du disjoncteur c.a. et verrouillez le panneau de façon sécuritaire. À l'aide d'un voltmètre alternatif réglé à la bonne plage de lecture, vérifiez que le courant a bien été coupé à l'emplacement d'installation.
- Utilisez un fil d'alimentation électrique d'un calibre d'au moins 14 AWG pouvant résister à une température d'au moins 68 degrés Celsius (155 degrés Fahrenheit).
- Installez le conduit et les raccords nécessaires. Raccordez le fil d'alimentation électrique c.a. à la source d'alimentation électrique en vous conformant à tous les codes appropriés et à toutes les normes locales.
- Raccordez la boîte de jonction à la minuterie à l'aide d'une tige filetée de 1,27 cm (1/2 po) (la boîte de jonction et la tige filetée ne sont pas incluses). [Consultez la figure 5.] Raccordez le conduit de la source d'alimentation électrique à l'entrée de la boîte de jonction en vous conformant à tous les codes appropriés.
- Coupez le cordon de la boîte de jonction à la longueur appropriée (allant de la minuterie à la boîte de jonction). Retirez l'enveloppe isolante (du cordon) pour exposer les trois fils.
- Raccordez les fils de la source d'alimentation à ceux sortant de la minuterie pour arroseur.
- Pour les États-Unis : Assurez-vous de vous conformer au bon code de couleur. Raccordez le fil vert pour la mise à la terre, le noir pour la mise sous tension et le blanc pour le neutre. La mise à la terre de la source d'alimentation est souvent un conducteur en cuivre dénudé au lieu d'être un fil vert.
- Pour l'Europe : La mise sous tension est un fil brun et le neutre est bleu. Aucun fil de mise à la terre n'est exigé. Assurez-vous que tous les fils sont raccordés au bon fil de l'alimentation électrique.
- Assurez-vous que tous les raccordements sont faits avec des capuchons de connexion isolés et conformes aux codes.

- Assurez-vous également d'installer sur la boîte de jonction un joint d'étanchéité et un couvercle à l'épreuve des intempéries.
- Rétablissez le courant c.a. à partir du disjoncteur c.a.

Important: Installation à l'aide d'un câblage permanent

La minuterie pour arroseur est munie d'un transformateur qui doit être raccordé à une source de tension de c.a. Consultez le dos du boîtier de la minuterie pour arroseur pour connaître les exigences en matière d'électricité. Les codes électriques et du bâtiment exigent normalement qu'un conduit électrique approuvé et que des raccords électriques soient utilisés pour raccorder à un c.a. un appareil installé sur un mur extérieur. Veuillez vous reporter à la réglementation locale. Tout raccordement permanent doit être exécuté par un électricien agréé qui respectera les exigences du code national de l'électricité et des autres codes nationaux et locaux.

La minuterie pour arroseur est munie de deux trous au bas pour l'accès aux fils. À l'aide d'une tige filetée de 1,27 cm (1/2 po), raccordez la minuterie pour arroseur à une boîte de jonction électrique ordinaire. Le connecteur et la boîte de jonction doivent être homologués UL, ou l'équivalent, ou doivent être conformes aux normes IEC ou EN ou l'équivalent.

Vous pouvez enterrer le fil. Pour une protection supplémentaire, vous pouvez toutefois l'insérer dans un tuyau en PVC avant de l'enterrer. Évitez d'enterrer le fil là où il pourrait éventuellement être endommagé par un creusage.

Mise en garde : Ne raccordez pas la minuterie pour arroseur à une des phases d'un réseau électrique triphasé utilisé pour une pompe ou un autre appareil électrique.

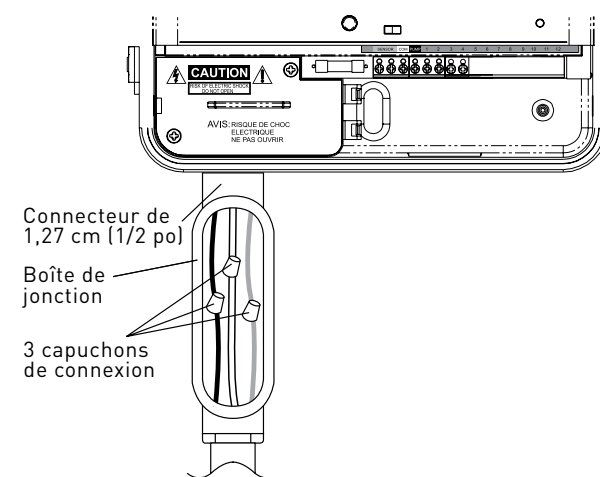


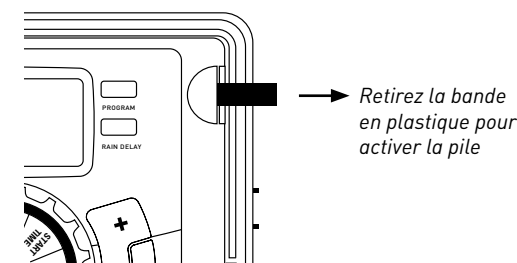
Figure 5: Utilisation d'une boîte de jonction

Remarque : Pour une installation extérieure, nous vous recommandons de faire appel à un électricien qualifié pour procéder à l'installation conformément aux codes et aux règlements électriques. Lorsque vous installez cette minuterie pour arroseur à l'extérieur, utilisez uniquement un circuit protégé par un disjoncteur de fuite à la terre.

5. Activez la pile.

Vous devez utiliser une pile au lithium CR2032 (incluse) pour garder en mémoire le programme lors d'une panne de courant. Nous vous recommandons de remplacer la pile annuellement.

Retirer la bande en plastique pour activer la pile déjà en place. (Consultez la page 12 pour le remplacement de la pile.)



Remarque : La pile ne fera pas fonctionner à elle seule les vannes de votre système d'arrosage. La minuterie pour arroseur est munie d'un transformateur qui doit être raccordé à une source de courant alternatif.

Section 3: Programmation avec Easy-Set Logic™

Remarque au sujet des programmes multiples

Votre minuterie vous offre la possibilité d'utiliser trois programmes indépendants (A, B et C). Un programme est une mémoire où vous conservez tous vos réglages d'arroseur. Il est composé d'un groupe de zones pour lequel des heures de départ et de durée d'arrosage précises ont été réglées. Les multiples programmes vous permettent de faire fonctionner différentes vannes selon certains jours et pour diverses durées. Même si la plupart des utilisations ne nécessitent qu'un seul programme (A), vous pouvez utiliser les multiples programmes pour arroser certains endroits, de la pelouse nouvellement installée ou des zones comportant un arroseur

rotatif. En utilisant les programmes pour regrouper les zones ayant des besoins en eau semblables, vous maximiserez l'efficacité de votre irrigation.

Vous pouvez régler le programme principal de l'appareil en effectuant quelques étapes faciles.

Programme principal

Pour effacer la programmation par défaut précédente, appuyez sur le bouton de réinitialisation (RESET).

1. Réglage de l'horloge

- Tournez le cadran de sélection à la position [SET CLOCK]
- Pour entrer l'heure courante, appuyez sur les boutons [+/-].

Conseil : Pour avancer ou reculer plus rapidement, maintenez le bouton [+] ou [-] enfoncé jusqu'à ce que l'affichage passe au mode d'avancement rapide.

- Appuyez sur les flèches [◀ ▶] pour indiquer s'il s'agit de l'avant-midi ou de l'après-midi.
- Pour accepter l'heure, tournez le cadran de sélection.

2. Réglage de la date

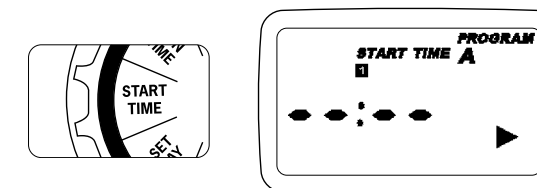
- Tournez le cadran de sélection à la position [SET DATE]
- Y/M/D s'afficheront [A/M/J] (la lettre clignotante indique la sélection).
- Utilisez les boutons [+/-] pour régler l'année et appuyez sur le bouton [ENTER] ou les flèches [◀ ▶].
- Utilisez les boutons [+/-] pour régler le mois et appuyez sur le bouton [ENTER].
- Utilisez les boutons [+/-] pour régler le jour du mois.
- Pour accepter la date, tournez le cadran de sélection.

3. Heure de départ

- Tournez le cadran de sélection à la position [START TIME]
- Pour sélectionner l'heure à laquelle vous désirez que l'arrosage débute, utilisez les boutons [+/-].

(l'heure se règle aux 15 minutes près).

L'écran affichera :



Veillez noter que l'heure de départ (START TIME) est l'heure à laquelle votre arrosage programmé débute. Vous pouvez programmer jusqu'à quatre heures de départ différentes. Toutes les zones ayant une durée de l'arrosage (RUN TIME) programmée seront arrosées selon l'ordre de ces heures de départ.

Remarque : Superposition des heures de départ

Lorsque vous réglez une mise en marche pour qu'elle commence avant la fin d'un programme, l'heure de départ sera « superposée » ou reportée. Ainsi, cette mise en marche ne commencera qu'après la fin du programme précédent.

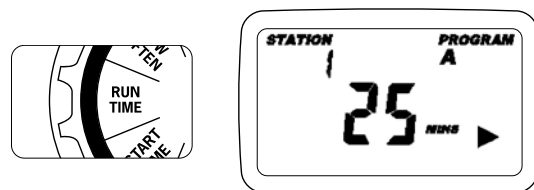
Par exemple, Bill vient de poser de la nouvelle pelouse et désire l'arroser trois fois par jour. Il règle l'heure de départ 1 (START TIME) à 5 heures, l'heure de départ 2 à midi et l'heure de départ 3 à 17 heures.

Il programme également la fréquence de l'arrosage (HOW OFTEN) à INT (intervalle) tous les jours (EVERY 1 DAYS) (consultez la section 5, Fréquence de l'arrosage).

En mode AUTO, le système arrosera trois fois par jour. Une fois que la pelouse de Bill est bien enracinée, il peut effacer (CLEAR) les heures de départ 2 et 3 : ainsi, l'arrosage se fera une fois par jour comme auparavant.

4. Durée de l'arrosage

- Tournez le cadran de sélection à la position [RUN TIME].



Une ZONE est l'endroit qui est arrosé par une vanne. Sur cette illustration, l'écran affiche le réglage de la durée de l'arrosage (RUN TIME) de chacune des zones.

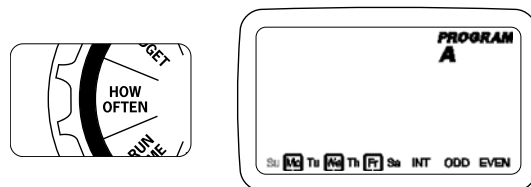
- Appuyez sur les flèches [◀ ▶] pour choisir une zone et sur les boutons [+/-] pour entrer la durée d'arrosage de cette zone.
- Appuyez sur ENTRÉE ou sur les flèches [◀ ▶] pour changer de zone ou de vanne. Entrez ensuite la durée d'arrosage de chacune des zones.

5. Fréquence de l'arrosage

- Tournez le cadran de sélection à HOW OFTEN : cette fonction vous permet de régler la fréquence à laquelle vous désirez arroser.

Vous pouvez choisir entre trois options :

1. Jours de la semaine (lundi, mardi, mercredi, etc.);
2. Intervalles (tous les x jours);
3. Jours impairs ou pairs.



Jours de la semaine

- Tournez le cadran de sélection à la position HOW OFTEN.
 - Cette option clignotera pour indiquer votre choix.
 - L'écran affichera la lettre du programme (A, B ou C).
 - Pour passer d'un jour à l'autre parmi les options, appuyez sur les flèches [◀ ▶].
 - Pour choisir un jour d'arrosage, appuyez sur le bouton [+] ou [ENTER].
- Pour supprimer un jour précédemment sélectionné, appuyez sur le bouton [-] ou [CLEAR].

Par exemple, lundi, mercredi et vendredi.

Intervalles

- Pour passer à l'option « INT », INTERVALLE, utilisez les flèches [◀ ▶].
- Pour sélectionner le nombre de jours entre les périodes d'arrosage, appuyez sur les boutons [+/-].

Par exemple, un intervalle de 1 déclenche l'arrosage tous les jours; un intervalle de 3, tous les trois jours, etc.

Jours impairs ou pairs

- Pour passer à l'arrosage un jour impair (ODD) ou pair (EVEN), utilisez les flèches [◀ ▶].
 - Une fois que vous avez réglé à ODD ou à EVEN, appuyez sur le bouton [+] ou [ENTER].
- Si vous sélectionnez une option différente ou que vous appuyez sur le bouton CLEAR, vous effacerez votre choix précédent.

Exemple de jours impairs :

1er jour du mois, 3e jour, 5e jour, etc.

Exemple de jours pairs :

2e jour du mois, 4e jour, 6e jour, etc.

Pour terminer, tournez le cadran de sélection à la position AUTO. Voilà! Vous avez réglé votre minuterie pour arroseur!

Tournez le cadran de sélection à AUTO pour exécuter votre programme.

Remarque : Si votre programme est effacé, la programmation par défaut à sécurité intégrée déclenchera l'arrosage de chaque zone pendant dix minutes chaque jour.

Remarque : Votre programme principal ne sera pas perturbé à moins d'être modifié. Lorsque vous apportez des modifications à un programme (A, B ou C), sachez toujours dans lequel vous vous trouvez.

Révision et modification de votre programme

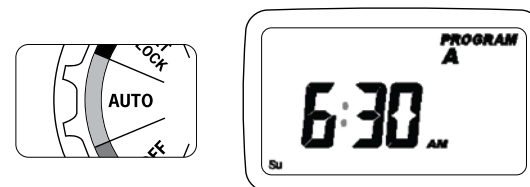
Si vous désirez revoir ou modifier les heures de départ, les durées ou les fréquences d'arrosage, suivez tout simplement les instructions relatives à ces options. Après avoir passé en revue ou modifié un horaire d'arrosage, n'oubliez pas de remettre le cadran de sélection à la position AUTO pour un fonctionnement automatique.

Section 4: Caractéristiques supplémentaires

Interruption en cas de pluie

La fonction d'interruption en cas de pluie de votre minuterie pour arroseur vous permet d'interrompre l'arrosage pendant certaines périodes de temps. Les réglages d'interruption sont de 24, 48 et 72 heures.

- Tournez le cadran de sélection à la position [AUTO].



- Pour arrêter automatiquement l'arrosage pendant 24 heures, appuyez sur le bouton RAIN DELAY.
- Si vous désirez une interruption d'arrosage plus longue, appuyez sur les flèches [◀ ▶] pour augmenter ou diminuer le nombre d'heures.
- Appuyez ensuite sur [ENTER] ou attendez pendant 10 secondes : la période d'interruption en cas de pluie sélectionnée débutera.
- Le bouton [CLEAR] arrête la fonction d'interruption d'arrosage en cas de pluie et l'arrosage revient à la fonction programmée.
- À la fin de la période sélectionnée d'interruption en cas

de pluie, l'arrosage automatique reprend.

- En mode d'interruption en cas de pluie, les heures restantes seront affichées toutes les deux secondes en alternance avec l'heure courante.

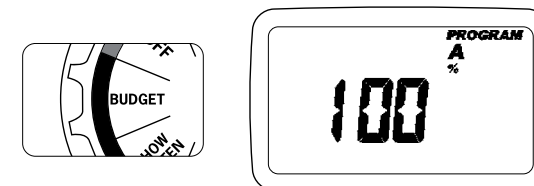
Budgétisation de l'eau

La budgétisation de l'eau constitue une manière simple de régler la durée d'arrosage en fonction des besoins saisonniers d'arrosage. Elle permet d'augmenter ou de diminuer la durée d'arrosage de toutes les zones de chacun des programmes. Pour choisir le programme que vous désirez budgétiser, appuyez sur le bouton PROGRAM.

La plage d'ajustement s'étend de 10 % à 200 %, par échelon de 10 %. La valeur par défaut est 100 %. La BUDGÉTISATION demeurera au pourcentage choisi jusqu'à ce que vous le modifiez.

Pour régler la budgétisation :

- Tournez le cadran de sélection à la position [BUDGET].



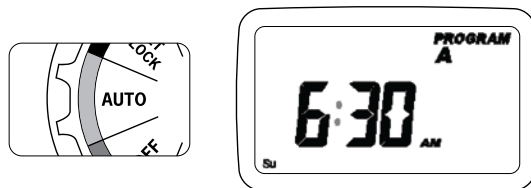
- Pour ajuster au pourcentage désiré, appuyez sur les boutons [+/-], puis sur [ENTER].
- Si vous utilisez plusieurs programmes (A, B ou C), appuyez sur le bouton PROGRAM pour vous rendre dans le programme désiré et apporter les ajustements nécessaires.

Par exemple, Bill a réglé la durée d'arrosage à 60 minutes. Cependant, comme c'est le printemps, il désire arroser la moitié moins de temps. Il règle donc sa BUDGÉTISATION à 50 %; sa minuterie permet maintenant l'arrosage pendant 30 minutes

Arrosage manuel

Votre minuterie est munie d'une fonction qui vous permet d'arroser manuellement sans modifier un programme préréglé.

- Tournez le cadran de sélection à la position [AUTO].



- Appuyez sur le bouton [MANUAL]. L'écran affichera ABC et ALL (tout). Quelques secondes plus tard ou après que vous aurez appuyé sur ENTER, la minuterie fera commencer l'arrosage manuel.
- Toutes les zones seront consécutivement arrosées selon la durée programmée pour chacune d'elles.

Remarque : Si vous n'avez pas réglé les durées de l'arrosage (RUN TIME), la minuterie n'initiera pas l'arrosage manuel et l'écran n'affichera que l'heure courante.

- Pour spécifier un programme ou une zone en particulier, appuyez sur les flèches [◀ ▶] et choisissez le programme A, B ou C.
- Appuyez sur le bouton [ENTER] pour activer.
- Pour sélectionner une zone en particulier, appuyez sur les [◀ ▶] sans les relâcher jusqu'à ce que le numéro de la zone désirée s'affiche.
- Pour entrer la durée de l'arrosage de 1 à 240 minutes, appuyez sur les boutons [+/-].
- Attendez cinq secondes : l'arrosage de votre zone débutera.
- Pour supprimer l'arrosage manuel, appuyez sur le bouton [CLEAR].
- La minuterie retournera à votre horaire d'arrosage automatique initial.

Par exemple, pour arroser manuellement la zone 3 pendant cinq minutes, appuyez sur la touche [MANUAL]. Appuyez ensuite sur les flèches [◀ ▶] jusqu'à ce que vous voyiez la zone 3. À l'aide des boutons [+/-], réglez la durée d'arrosage manuel à cinq minutes et appuyez sur le bouton [ENTER].

Remarque : Si vous n'effectuez pas de sélection cinq secondes après avoir appuyé sur le bouton [MANUAL], tous les programmes commenceront l'arrosage de toutes les zones selon les durées de l'arrosage (RUN TIME) réglées. Si vous

n'avez pas réglé de durée de l'arrosage, aucun arrosage ne débutera et l'écran n'affichera que l'heure courante.

Raccorder un détecteur de pluie

- Raccordez les fils du détecteur de pluie en les insérant dans les bornes (jaunes) étiquetées « Sensor » (consultez la figure 6).

Remarque : Consultez le manuel de votre détecteur de pluie pour connaître les instructions particulières sur le câblage.

- Pour faire fonctionner votre détecteur, placez son interrupteur en position de marche.

Dérivation du détecteur de pluie

Votre minuterie pour arroseur est pourvue d'un interrupteur marche/arrêt pour outrepasser le détecteur. Cet interrupteur sert lors des entretiens et des réparations : il permet à la minuterie pour arroseur de fonctionner même si le détecteur de pluie est en mode actif.

IMPORTANT : Si l'interrupteur est en position de marche et qu'aucun détecteur n'est branché, la minuterie pour arroseur ne fonctionnera pas. Pour faire fonctionner votre minuterie de nouveau, placez l'interrupteur en position d'arrêt.

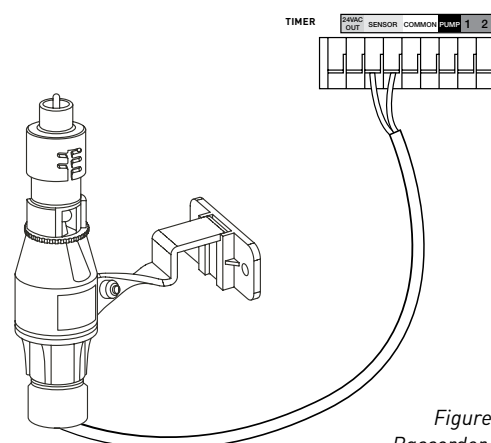


Figure 6:
Raccorder un détecteur de pluie

Mise en marche de la pompe et vanne principale

Cette minuterie pour arroseur permet à une vanne principale ou au relais de démarrage d'une pompe de fonctionner même lors de l'arrosage d'une zone.

Remarque : Si vous mettez en marche une pompe à partir de cette minuterie, vous devez vous procurer un relais de démarrage de pompe. Sur le relais de démarrage de la pompe (ou de la vanne principale), raccordez un fil dans la borne « PUMP » et l'autre dans la borne « COMMON ».

CHANGEMENT DE LA PILE

La minuterie nécessite une pile au lithium CR2032 pour fonctionner.

- La pile permettra de garder votre programme en mémoire en cas de panne de courant alternatif.
- La pile devrait durer environ un an.
- Ouvrez le compartiment de la pile en faisant glisser le plateau vers la droite.
- Insérez dans le compartiment une pile CR2032, le côté + vers le haut.
- Remettez en place le plateau.

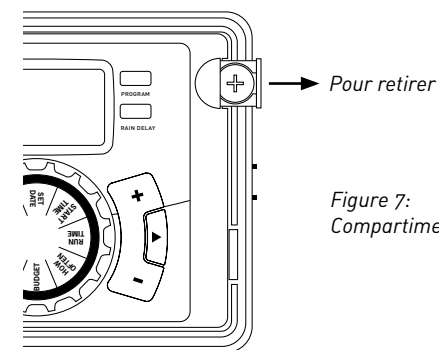


Figure 7:
Compartiment de la pile

Si la pile est faible ou manquante, l'heure, la date et le programme risquent d'être supprimés à la suite d'une panne de courant. En ce cas, vous devrez installer une pile entièrement chargée et régler de nouveau la minuterie.

Conseil : Remplacez la pile tous les ans : vous éviterez ainsi de perdre vos programmes.

Remarque : La pile ne fera pas fonctionner à elle seule les vannes de votre système d'arrosage. La minuterie pour arroseur est munie d'un transformateur qui doit être raccordé à une source de tension de c.a.

Section 5: Références

TERME	DÉFINITION
HEURE DE DÉPART	L'heure à laquelle le programme commence l'arrosage de la première zone programmée.
VANNE	Elle alimente en eau une zone ou un endroit en particulier. L'ouverture et la fermeture de la vanne sont effectuées à l'aide du courant électrique fourni par la minuterie pour arroseur.
VANNE PRINCIPALE	Elle est généralement raccordée à la source d'eau principale. Elle permet l'alimentation en eau du système d'irrigation au complet ou la coupe.
HEURES DE DÉPART MULTIPLES	Une fonction de la minuterie qui permet à un programme de fonctionner plusieurs fois pendant un même jour d'arrosage.
PROGRAMMES SUPERPOSÉS	Lorsqu'une « heure de départ » est réglée pour mettre en marche un programme avant que le programme précédent ne soit terminé.
PROGRAMME (A, B OU C)	Les programmes individuels qui sont réglés par l'utilisateur. Chacun des programmes fonctionne de manière indépendante. Si un programme en chevauche un autre, les programmes seront « superposés ». Après que le premier programme sera exécuté, le programme suivant débutera.
INTERRUPTION EN CAS DE PLUIE	Cette fonction permet de reporter, pendant une durée déterminée, la mise en marche d'un programme d'arrosage réglé.
SOLÉNOÏDE	La pièce électrique d'une vanne d'irrigation qui ouvre et ferme cette vanne.
MINUTERIE POUR ARROSEUR	Un appareil qui commande le fonctionnement des vannes des différentes zones.
ZONE	Un groupe d'arroseurs fonctionnant grâce à une seule vanne qui est contrôlée par la minuterie.
BUDGÉTISATION DE L'EAU	Elle permet d'ajuster votre programme d'arrosage général en un pourcentage de durée d'arrosage totale.

Dépannage

PROBLÈME	CAUSE POSSIBLE
Une ou plusieurs vannes ne se mettent pas en marche.	1. Un solénoïde est mal connecté.
	2. Un fil est endommagé ou coupé.
	3. La tige de réglage de débit est vissée, fermant la vanne.
	4. La programmation est incorrecte.
Les zones se mettent en marche au mauvais moment.	1. La pression de l'eau est trop élevée.
	2. Plus d'une heure de départ est programmée.
	3. L'heure est incorrecte (avant-midi et après-midi).
Une zone reste en marche et ne veut pas s'arrêter.	1. Une vanne est défectueuse.
	2. Des saletés ou des débris sont bloqués dans la vanne.
	3. La membrane de la vanne est défectueuse.
Aucune vanne ne se met en marche.	1. Le transformateur n'est pas raccordé ou est défectueux.
	2. La programmation est incorrecte.
La minuterie ne se met pas en marche.	1. La prise de courant dans laquelle est branché le transformateur ne fonctionne pas.
Les vannes continuent à se mettre en marche et à s'arrêter alors qu'elles ne sont pas programmées.	1. Plusieurs heures de départ sont programmées et elles se chevauchent.
	2. La pression est trop élevée.

SOUTIEN TECHNIQUE

1-800-488-6156 or 1-801-299-5555

www.orbitonline.com

Avant de retourner la minuterie pour arroseur au détaillant, communiquez avec le soutien technique de Orbit® au 1 800 488-6156, 1 801 299-5555 Homologation

HOMOLOGATION

La minuterie pour arroseur est testée selon la norme UL 50 et homologuée ETL®.

Les modèles internationaux appropriés sont approuvés CSA® et CE®.

Cet appareil numérique de la catégorie B est conforme à la norme NMB-003 du Canada.

Déconnexion : Type 1Y

Conditions de pollution normales.

Seul le fabricant ou un de ses agents accrédités peut remplacer le cordon d'alimentation de cet appareil.

AVIS SUR LA MARQUE DE COMMERCE

WaterMaster® est une marque de commerce déposée d'Orbit® Irrigation Products, Inc. Les renseignements dans le présent manuel sont principalement destinés à l'utilisateur qui établira un horaire d'arrosage et qui l'entrera dans la minuterie pour arroseur. Ce produit est destiné à être utilisé comme minuterie pour arroseur automatique servant à mettre en marche des vannes d'irrigation de 24 VAC, comme décrit dans le présent manuel.

ÉNONCÉ ET GARANTIE

Orbit® Irrigation Products, Inc. garantit à ses clients que ses produits sont exempts de tout défaut de matériaux et de fabrication, et ce, pendant six ans à compter de la date d'achat.

Pendant une période de six ans après la date d'achat, nous remplacerons sans frais les pièces défectueuses ou qui s'avéreront défectueuses si elles ont été utilisées dans les conditions normales d'utilisation et de service [preuve d'achat requise].

Nous nous réservons le droit d'inspecter toute pièce défectueuse avant de la remplacer.

Orbit® Irrigation Products, Inc. n'est pas responsable des dommages et des coûts accessoires ou consécutifs causés par une défectuosité du produit. En vertu de la présente garantie, la responsabilité d'Orbit® se limite exclusivement au

remplacement ou à la réparation des pièces défectueuses.

Pour exercer votre garantie, renvoyez le produit à votre détaillant accompagné d'une copie de votre reçu.

Cet appareil est conforme à l'alinéa 15 du règlement de la FCC. Son utilisation est soumise aux deux conditions suivantes : (1) Cet appareil ne doit provoquer aucune interférence nuisible; et (2) cet appareil doit accepter toute interférence reçue, y compris les interférences pouvant entraîner un fonctionnement indésirable.

Avertissement : *Les modifications non autorisées expressément par la partie responsable de la conformité peuvent annuler le droit de l'utilisateur de se servir de cet appareil.*

REMARQUE : Cet appareil a été testé et déclaré conforme aux limites imposées aux appareils numériques de catégorie B, conformément à l'alinéa 15 du règlement de la FCC. Ces limites sont destinées à assurer une protection raisonnable contre les interférences nuisibles dans un environnement résidentiel. Cet appareil génère, utilise et peut émettre de l'énergie radiofréquence et, s'il n'est pas installé et utilisé conformément aux instructions, risque de provoquer des interférences nuisibles aux communications radio. Cependant, tout risque d'interférence ne peut être totalement exclu.

S'il constate des interférences lors de la réception d'émissions de radio ou de télévision (il suffit pour le vérifier d'allumer et d'éteindre successivement l'appareil), l'utilisateur devra prendre les mesures nécessaires pour les éliminer. À cette fin, il devra :

- réorienter ou déplacer l'antenne réceptrice;
- accroître la distance entre l'appareil et le récepteur;
- brancher le dispositif sur une prise de courant appartenant à un autre circuit que celui du récepteur;
- chercher de l'aide auprès du détaillant ou d'un technicien en radio ou en télévision expérimenté.

Mise en garde : *Cet appareil n'a pas été conçu pour être utilisé par de jeunes enfants ou des personnes handicapées sans surveillance. Surveillez les jeunes enfants pour éviter qu'ils jouent avec l'appareil.*

Felicitaciones por seleccionar su temporizador Orbit. Con el exclusivo Easy-Set Logic™ de Orbit, la programación y configuración simples se combinan con lo último en tecnología y versatilidad en temporizadores.

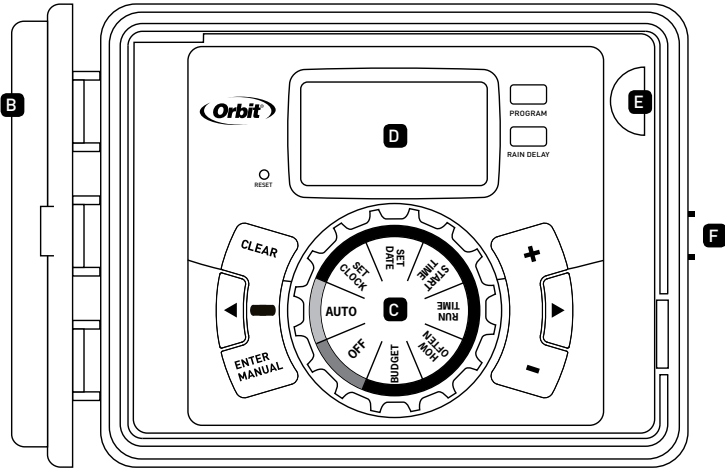
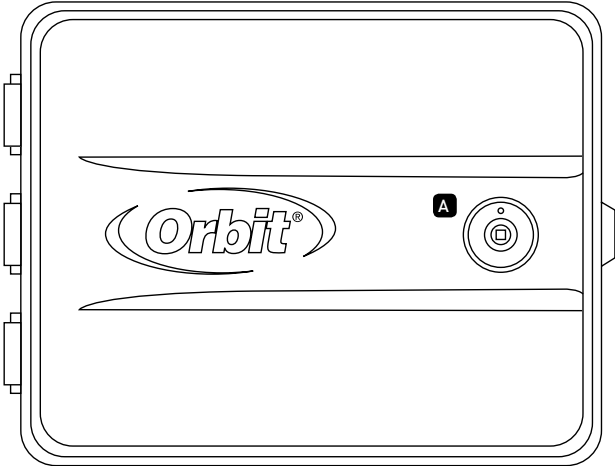
Su nuevo temporizador brinda conveniencia y flexibilidad, lo que le permite ejecutar un programa de riego completamente automático, semiautomático o manual para todas sus necesidades de riego. Aunque este temporizador es tan fácil de programar que probablemente no necesitará instrucciones, le recomendamos leer este manual completo antes de la instalación, de manera que comprenda todas las características avanzadas.

Índice

- Sección 1:** Conozca su temporizador **34**
- Sección 2:** Instalación **35**
- Sección 3:** Programación con Easy-Set Logic™ **39**
- Sección 4:** Características adicionales **41**
- Sección 5:** Referencia **44**

Section 1: Conozca su temporizador

- A** Seguro y pestillo
- B** Cubierta resistente a la intemperie
- C** Selector
- D** Pantalla digital
- E** Compartimento de las baterías
- F** Panel de puerta oscilante



Botones	Función
INTRO MANUAL	Confirmar una nueva configuración. Regar manualmente.
BORRAR	Borrar una configuración.
PROGRAMA	Mover a diferentes programas: A, B y C.
FLECHA [▶]	Pasar a la siguiente configuración/estación de riego o pasar a otro programa o configuración.
FLECHA [◀]	Volver a la configuración anterior/estación de riego o pasar a otro programa o configuración.
RETARDO POR LLUVIA	Detener el funcionamiento durante 24 a 72 horas por lluvia u otros factores.
[+]	Aumentar una configuración numérica.
[-]	Disminuir una configuración numérica.

Posición del selector	Función
AUTOMÁTICO	El programa de configuración está
CONFIGURACIÓN DE RELOJ	Fija la hora del reloj.
CONFIGURACIÓN DE FECHA	Año, mes y día.
HORA DE INICIO	Fija la hora para comenzar a regar; año, mes y día.
TIEMPO DE FUNCIONAMIENTO	Configura la duración del riego para cada estación.
FRECUENCIA	Configura la frecuencia de los días de riego.
SUMINISTRO	Ajusta el riego total como un porcentaje.
APAGADO	Apaga todas las estaciones/funciones.

Sección 2: Instalación

Herramientas necesarias

- Destornillador Phillips
- Pinzas pelacables

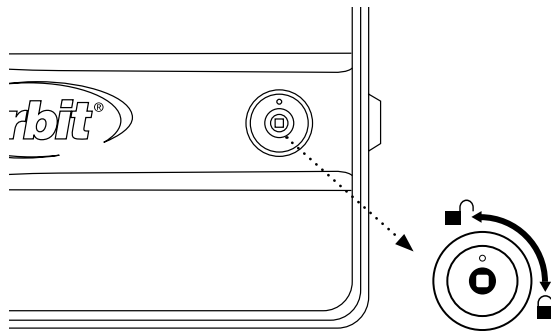
Pasos de la instalación

1. Elija una ubicación.
2. Instale el temporizador.
3. Conecte los cables de la válvula al temporizador.
4. Conecte la alimentación eléctrica.
5. Active la batería.

Elija una ubicación.

Al elegir la ubicación para su temporizador, considere lo siguiente:

- Elija una ubicación cerca de la fuente de alimentación (si tiene cableado) o del tomacorriente (se aplica sólo a los temporizadores de venta minorista en EE. UU.)
- Asegúrese de que las temperaturas de funcionamiento no sean bajo 0° Celsius ni sobre 70° Celsius (bajo 32° ni sobre 158° Fahrenheit)
- Ubíquelo lejos de la luz directa del sol si es posible.
- Asegúrese de dejar un espacio de al menos 22,86 cm hacia la izquierda de la caja del temporizador de regador para que la puerta abra con vaivén después de la instalación.
- Ubique el temporizador donde exista un acceso fácil al cable del regador (desde las válvulas). Si se coloca al exterior, cierre la puerta del compartimiento para que el temporizador no sufra por la intemperie. Para ajustar: Inserte la llave y gire en dirección de las manecillas del reloj hasta la posición de ajuste.



Nota: Los temporizadores de regadores son resistentes a la intemperie a UL-50 y clasificaciones ETL®, pero no se deben colocar en áreas donde el flujo continuo de agua pudiese producir algún daño.

2. Instale el temporizador

- Use la plantilla de montaje (incluida) para marcar la ubicación del tornillo de montaje en la pared. *Consulte la figura 1*
- Instale un tornillo No. 8 (incluido) en la pared, en la ubicación superior de la plantilla. Deje que sobresalga la cabeza del tornillo 0,32 cm (1/8") de la pared. Utilice anclas de expansión (incluidas) en yeso o mampostería, si es necesario, para una sujeción segura.
- Deslice el temporizador sobre el tornillo sobresaliente (con la ranura con forma de cerradura en la parte posterior del temporizador). *Consulte la figura 2*
- Coloque un tornillo No. 8 a través de uno de los dos orificios preformados ubicados en el gabinete posterior inferior. *Consulte la figura 2*

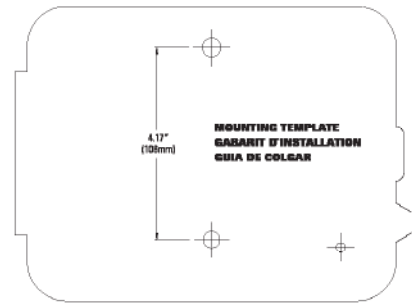


Figura 1: Use la plantilla de montaje (incluida)

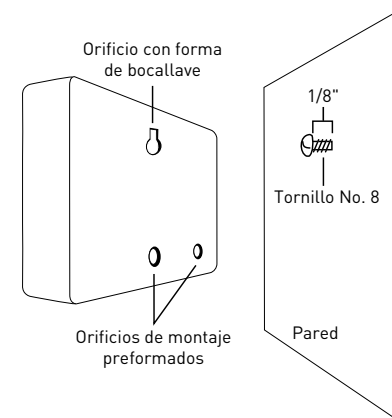


Figura 2: Cuelgue el temporizador con un tornillo en el orificio tipo cerradura.

3. Conecte los cables de la válvula al temporizador.

- Pele 12,70 mm (1/2") del aislamiento de plástico de los extremos de cada cable para los cables del temporizador y de la válvula.
- Conecte un cable de cada válvula (no importa cuál cable) a un solo cable "común" del regador (normalmente blanco).
- Conecte el cable restante de cada válvula a otro cable colorido del regador.

Consulte la figura 3.

Nota: Si la distancia entre el temporizador de regador y las válvulas no supera los 213,36 m (700'), utilice el cable del regador Orbit® o un cable de termostato calibre 20 (AWG) con recubrimiento de plástico para conectar el temporizador de regador a las válvulas. Si la distancia supera los 213,36 m (700'), utilice un cable calibre 16 (AWG).

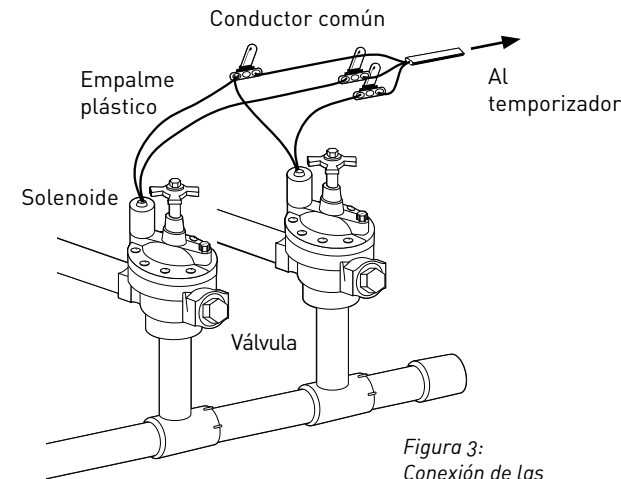


Figura 3: Conexión de las válvulas eléctricas

Importante: Todos los cables se deben unir con empalmes plásticos, soldaduras y/o cinta de vinilo. Se recomienda utilizar un engrasador Orbit en ambientes húmedos como una caja de válvulas para evitar la corrosión de la conexión y para protegerla de la filtración de agua.

Conexión de las válvulas eléctricas

Pelee 12,70 mm (1/2") del aislamiento de plástico de los extremos de cada cable individual. Cada válvula tiene dos

cables. Un cable (no importa cuál) se debe conectar como el "común". El otro cable de la válvula debe conectarse al cable de la estación específica que controlará dicha válvula. Los cables comunes para todas las válvulas pueden conectarse juntos a un cable común que da al controlador. Para evitar peligros eléctricos se debe conectar sólo una válvula a cada estación. *Consulte la figura 4*

Importante: El cable se puede enterrar en el suelo; sin embargo, para mayor protección, los cables pueden extenderse por un tubo de PVC y enterrarse en el suelo. Tenga cuidado y evite enterrar los cables en sitios donde se puedan dañar por futuras excavaciones o zanjas.

Su temporizador está equipado con terminales simples "a presión" para una conexión fácil. Conecte el cable común al terminal común. Conecte los cables restantes a las ubicaciones de los terminales correspondientes.

Sólo conecte una válvula a cada terminal (estación)

Estación 1

Pelee el cable

Empuje

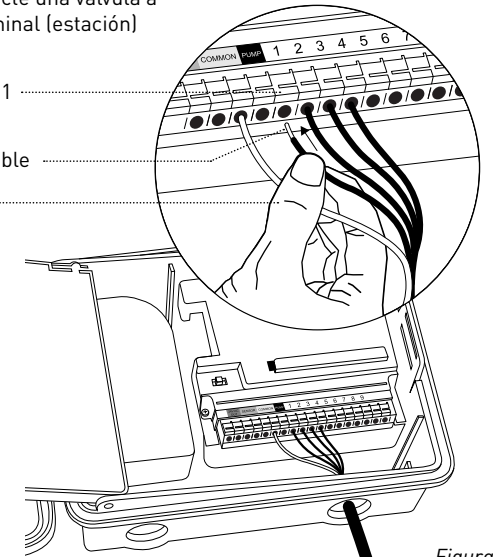
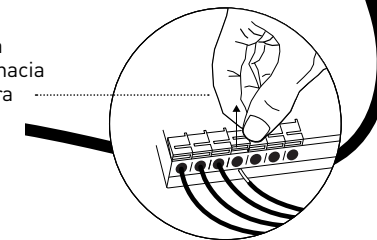


Figura 4

Empuje la lengüeta hacia arriba para liberar el cable.



4. Conecte la alimentación eléctrica.

Interiores – Inserte el cable de alimentación en un tomacorriente de 110 V.

Exteriores – Si se cuenta con un tomacorriente de interruptor de falla de puesta a tierra (GFI, por sus siglas en inglés), inserte el cable de alimentación en el tomacorriente de 110 voltios. Si no hay un tomacorriente, el controlador debe permanecer siempre con el cableado instalado (*consulte la figura 5)

- Desconecte la alimentación de CA en el interruptor de circuito y aplique un bloqueo de seguridad adecuado. Verifique que se haya desconectado la alimentación hacia el lugar de la instalación con un voltímetro de CA establecido para el rango de medición correcto.
- Utilice el cable de alimentación de calibre mínimo 14 (AWG) con una temperatura entre 23, 9 grados Celsius (68 grados Fahrenheit) o más.
- Instale el conducto y los conectores asociados. Conecte el cableado de alimentación eléctrica de CA a la fuente, siguiendo todos los códigos y estándares locales correspondientes.
- Conecte la caja de unión al temporizador con un manguito de 1/2" (no se incluyen la caja de unión ni el manguito). [Consulte la figura 15] Conecte el conducto de alimentación de la fuente a la entrada de la caja de unión, siguiendo todos los códigos correspondientes.
- Saque el cable (que va del temporizador a la caja de unión) de la caja de unión y corte el largo adecuado. Retire el aislante externo (del cable) para exponer los tres cables.
- Conecte los cables de la fuente a los cables que salen del temporizador del regador.
- Para EE. UU.: Asegúrese de seguir el código de color correcto. Conecte el conductor verde de tierra, negro de corriente y blanco neutro. A menudo, el cable a tierra de la fuente puede ser un conductor de cobre desnudo en lugar de un cable verde.
- Para Europa: El cable de corriente es café y el de neutro es azul, no se necesita conexión a tierra. Asegúrese de que todos los cables estén conectados al cable fuente adecuado.
- Asegúrese de que todas las conexiones se hagan con conectores aislados aprobados por el código.
- Asegúrese de colocar una empaquetadura resistente a la intemperie y una tapa en la caja de unión.

- Encienda la alimentación de CA en el interruptor de circuito de CA.

Importante: Instalación con cableado permanente

El temporizador de regador tiene un transformador empotrado que se debe conectar a una fuente de voltaje de línea de CA. Verifique la parte posterior de la caja del temporizador de regador para ver los requisitos de alimentación. Los códigos eléctricos y de construcción locales normalmente requieren el uso de un conducto eléctrico aprobado y de conectores eléctricos para conectar el equipo exterior montado en la pared a la alimentación de CA. Consulte los códigos locales. Toda conexión permanente la debe realizar un electricista con licencia de acuerdo con los requisitos del Código eléctrico nacional y otros códigos locales y estatales.

Este temporizador de regador tiene dos orificios en la parte inferior para que entren los cables. Utilice un manguito de 1/2" para conectar el temporizador de regador a una caja de unión eléctrica estándar. Tanto el conector como la caja de unión deben tener clasificación UL o equivalente, o cumplir los estándares o equivalentes del IEC o EN.

El cable se puede enterrar en el suelo; sin embargo, para mayor protección, los cables pueden extenderse por un conducto eléctrico y enterrarse en el suelo. Tenga cuidado y evite enterrar los cables en sitios donde se puedan dañar por futuras excavaciones o zanjas.

Precaución: No conecte el temporizador de regador a una fase de un sistema de alimentación de tres fases que usa una bomba u otro equipo eléctrico.

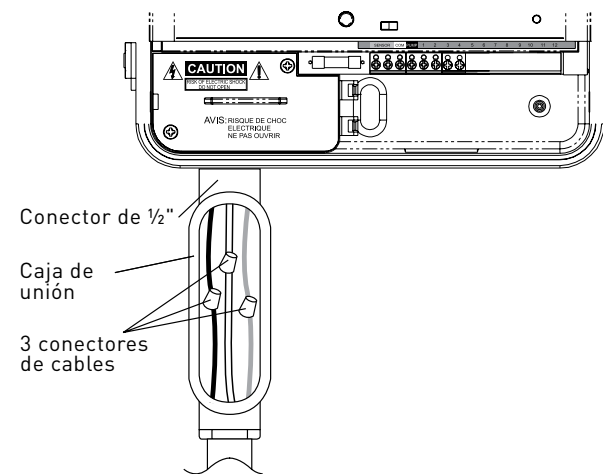


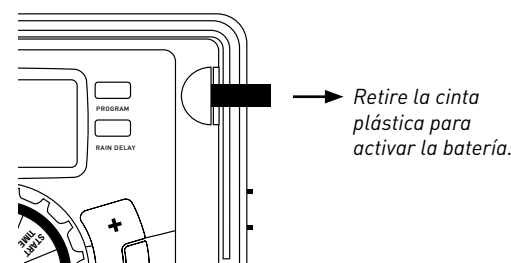
Figura 5: Uso de la caja de unión

Nota: Se recomienda que un electricista calificado realice la instalación para aplicaciones en el exterior, de acuerdo con las regulaciones y los códigos eléctricos. Cuando se utiliza en exteriores, este temporizador de regador se debe utilizar con un circuito protegido de interruptor de falla a tierra (GFI).

5. Active la batería

Se requiere una batería de litio CR2032 (incluida) para mantener el programa en la memoria durante cortes de electricidad. Se recomienda su reemplazo cada año.

Retire la cinta plástica para activar la batería preinstalada. (Consulte la página 12 para leer sobre el reemplazo de batería)



Nota: La batería sola no hará funcionar las válvulas de su sistema de riego. El temporizador de regador tiene un transformador empotrado que se debe conectar a una fuente de voltaje de CA.

Sección 3: Programación con Easy-Set Logic™

Una nota sobre programas múltiples.

Su temporizador de regador brinda la flexibilidad de utilizar 3 programas independientes (A, B, C). Un programa es donde almacena todas sus configuraciones del regador. Consiste en un grupo de estaciones establecidas para horas de inicio y de funcionamiento específicas. Los programas múltiples le permiten hacer funcionar diferentes válvulas en diferentes días con diferentes tiempos de funcionamiento. Mientras que muchas aplicaciones sólo requieren un programa (A), usar programas múltiples puede ser útil en áreas de riego por goteo, césped recién plantado o estaciones del regador rotativas. Usar programas para agrupar estaciones con

necesidades de riego similares maximizará la eficiencia de la irrigación.

La programación primaria se puede lograr con sólo unos pasos básicos.

Programación primaria

Presione [RESET] para borrar toda programación previa de fábrica.

1. Configuración de reloj

- Gire el selector a [SET CLOCK]
- Presione los botones [+/-] para configurar la hora actual del día.

Sugerencia: Para aumentar o disminuir más rápidamente, mantenga presionados los botones [+] o [-] hasta que la pantalla cambie a modo de avance rápido.

- Presione los botones [◀ ▶] para configurar a.m./p.m.
- Gire el selector para aceptar la hora.

2. Configuración de fecha

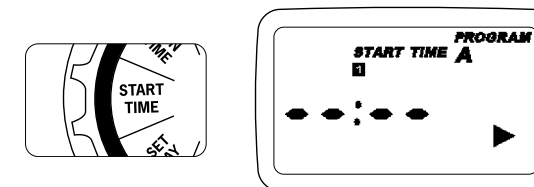
- Gire el selector a [SET DATE]
- Aparecerá A/M/D (la letra parpadeando indica la selección).
- Presione los botones [+/-] para configurar el año correcto y luego presione [ENTER] o [◀ ▶]
- Presione los botones [+/-] para configurar el mes correcto y luego presione [ENTER].
- Presione los botones [+/-] para configurar la fecha correcta.
- Gire el selector para aceptar la fecha.

3. Hora de inicio

- Gire el selector a [START TIME]
- Presione los botones [+/-] para seleccionar la hora a la que le gustaría que comience el riego.

(La hora se ajustará en incrementos de 15 minutos).

La pantalla mostrará



Tenga en cuenta que la HORA DE INICIO es la hora del día en que comienza su riego programado. Puede configurar hasta 4 HORAS DE INICIO. Todas las estaciones que tienen un TIEMPO DE FUNCIONAMIENTO programado (frecuencia) funcionarán en secuencia a estas horas.

Nota: Almacenamiento de horas de inicio

Cuando una hora de inicio se configura antes de que el programa previo termine, dicha hora de inicio quedará "en cola" o se retrasará, y comenzará una vez que el programa previo termine.

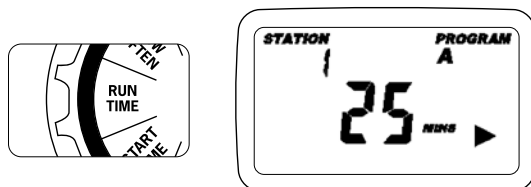
Ejemplo: Bill acaba de plantar semillas para césped y desea regar tres veces al día. Configura la HORA DE INICIO 1 para las 5 a.m., la HORA DE INICIO 2 para las 12 p.m. y la HORA DE INICIO 3 para las 5 p.m.

También configura la FRECUENCIA para INT (intervalo) CADA 1 DÍA (consulte la sección 3, HOW OFTEN).

En el modo AUTO el sistema regará 3 veces al día. Una vez que el tepe de Bill esté firme, podrá BORRAR las horas de inicio 2 y 3, y volver a regar sólo una vez al día.

4. Tiempo de funcionamiento

- Gire el selector a [RUN TIME]



STATION es el área que regará cada válvula. En esta pantalla, se configura el TIEMPO DE FUNCIONAMIENTO o duración para cada estación.

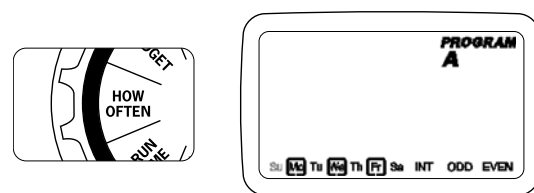
- Presione [◀ ▶] para seleccionar una estación y presione los botones [+/-] para ingresar la duración de riego para esa estación.
- Presione [ENTER] o los botones [◀ ▶] para pasar a la siguiente estación o válvula e ingresar la duración de riego para cada estación.

5. Frecuencia

- Gire el selector a [HOW OFTEN]; esta pantalla le permitirá configurar la frecuencia del riego.

Se brindan 3 opciones:

1. Días de la semana (Lun, Mar, Miér, etc.)
2. Intervalos (Cada "X" días)
3. Días impares o pares



Días de la semana

- Gire el selector a [HOW OFTEN]
 - La opción parpadeará para indicar la selección.
 - La pantalla mostrará la letra del programa (A, B o C).
 - Presione los botones [◀ ▶] para pasar de un día a otro a través de las opciones.
 - Presione [+] o [ENTER] para seleccionar un día de riego.
- Para borrar un día ingresado con anterioridad, presione [-] o [CLEAR].

Ejemplo: Lunes, miércoles y viernes.

Intervalos

- Utilice los [◀ ▶] botones para pasar a la opción INTERVALO "INT".
- Presione los botones [+/-] para seleccionar el número de días entre riegos.

Ejemplo: Un intervalo de 1 regará todos los días; un intervalo de 3 regará cada 3 días, etc.

Días impares o pares

- Utilice los [◀ ▶] botones para pasar al riego en día IMPAR o PAR.
 - Configuración de IMPAR o PAR, presione [+] o [ENTER].
- Seleccionar una opción diferente o presionar borrar, borrará la selección previa.

Ejemplo: Impares: 1º, 3º, 5º, etc.
Ejemplo: Pares: 2º, 4º, 6º, etc.

Gire el selector a [AUTO] y ¡listo!
Acaba de programar su temporizador.

Gire el selector a AUTO para activar el programa.

Nota: Si su programa se pierde, el programa a prueba de fallos instalado en fábrica encenderá cada estación todos los días por 10 minutos.

Nota: Su programación anterior no se verá afectada a menos que se modifique. Siempre esté atento al programa en el que está (A, B o C) cuando realice cambios.

Revisión y cambio de su programa

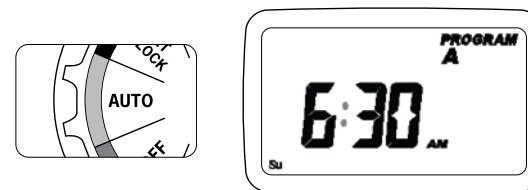
Si desea revisar o cambiar las horas de inicio, los tiempos de funcionamiento o la frecuencia de riego, simplemente siga las instrucciones nuevamente para esa opción. Recuerde girar el selector de vuelta a AUTO después de revisar o cambiar un plan de riego para el funcionamiento automático.

Sección 4: Características adicionales

Retardo por lluvia

El retardo por lluvia le permite retardar el temporizador de regador para que no riegue durante un período de tiempo establecido. Las configuraciones de retardo son 24, 48 y 72 horas.

- Gire el selector a [AUTO]



- Presione el botón de retardo por lluvia para retardar automáticamente el riego por 24 horas.
- Presione los [◀ ▶] botones para aumentar o disminuir la configuración si desea un retardo por lluvia mayor.
- Presione [ENTER] o espere 10 segundos y el retardo por lluvia seleccionado comenzará.
- El botón [CLEAR] detiene el retardo por lluvia y el riego programado continúa.
- Al final del tiempo de retardo por lluvia seleccionado, continúa el riego automático.
- Mientras se encuentre en modo de retardo por lluvia, la pantalla del temporizador cambiará entre la hora actual y las horas restantes del retardo, cada 2 segundos.

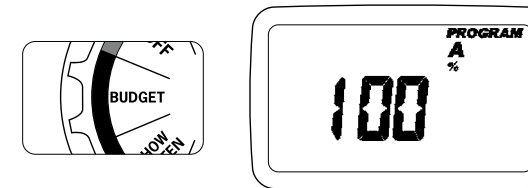
Suministro de agua

El suministro de agua es una forma simple de ajustar la duración del riego a fin de satisfacer las necesidades de riego estacional. El suministro de agua funciona aumentando o disminuyendo la duración del riego para todas las estaciones en cada programa. Presione el botón PROGRAM para seleccionar el programa que desea suministrar.

El rango de ajuste va de 10% a 200%, en incrementos de 10%. El valor predeterminado es de 100%. El SUMINISTRO permanecerá en el rango ajustado hasta que lo cambie.

Configurar el suministro:

- Gire el selector a [BUDGETING].



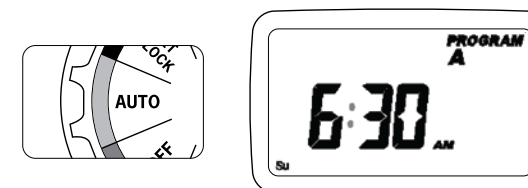
- Para ajustar presione los botones [+/-], presione [ENTER]
- Si utiliza programas múltiples (A, B o C), presione el botón PROGRAM para pasar al programa deseado y hacer los ajustes necesarios.

Ejemplo: La duración del riego de Bill es de 60 minutos; sin embargo, es primavera, por lo que desea regar la mitad del tiempo y configura el SUMINISTRO al 50%, el temporizador ahora regará durante 30 minutos.

Riego manual

Su temporizador tiene la capacidad de permitirle regar sin interrumpir el programa actual.

- Gire el selector a [AUTO]



- Presione el botón [MANUAL]. La pantalla mostrará ABC y ALL. Después de unos segundos o presionando ENTER, el temporizador comenzará el riego manual.
- Todas las estaciones regarán consecutivamente por la duración programada.

Nota: Si no se han configurado los TIEMPOS DE FUNCIONAMIENTO, el temporizador no iniciará el riego manual y la pantalla volverá a la hora actual.

- Para especificar un programa o estaciones específicas, presione los [◀ ▶] botones para seleccionar A, B o C.
- Presione [ENTER] para activar.
- Para seleccionar una estación específica, continúe presionando los botones de [◀ ▶] hasta que aparezca el número y la estación deseada.
- Presione [+/-] para ingresar la duración deseada de 1 a 240 minutos.
- Espere 5 segundos y comenzará su estación.
- Para detener el riego manual, presione [CLEAR].
- El temporizador volverá a su plan de riego automático original.

Ejemplo: Para regar manualmente en la estación 3 durante cinco minutos, presione el botón [MANUAL] y luego presione los botones hasta que vea la estación 3; usando los botones [+/-], configure la duración en cinco minutos; presione [ENTER]].

Nota: Después de que se ha presionado el botón MANUAL, si no se realiza una selección dentro de 5 segundos, todas las estaciones y programas comenzarán el riego usando los TIEMPOS DE FUNCIONAMIENTO programados. Si no se han configurado TIEMPOS DE FUNCIONAMIENTO, no sucederá nada y la pantalla volverá a la hora del día.

Conexión de un detector de lluvia

- Conecte el detector de lluvia a los puertos del terminal de cableado (amarillo en color) etiquetado "Sensor".

Nota: Consulte el manual del detector de lluvia para obtener instrucciones de cableado específico.

- Coloque el interruptor de encendido y apagado del detector en la posición "on" para comenzar el funcionamiento (consulte la figura 6).

Derivación del detector de lluvia

Este temporizador de regador está equipado con un interruptor "on/off" de anulación del detector. Este interruptor es para utilizar mientras se realicen mantenimiento y reparaciones, de manera que el temporizador de regador pueda funcionar incluso si el detector de lluvia está en modo activo.

Importante: Si el interruptor del detector de lluvia está en la posición "on" y no tiene conectado ningún detector, el

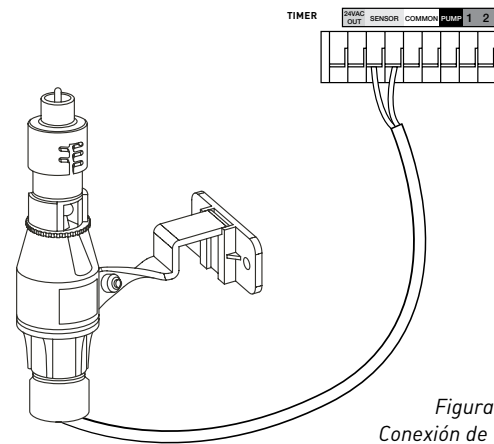


Figura 6:
Conexión de un detector de lluvia

temporizador de regador no funcionará. Para reanudar el funcionamiento del temporizador de regador, coloque el interruptor en la posición "off".

Válvula maestra y arranque de la bomba

Este temporizador de regador permite que relevadores de arranque de la bomba y válvulas maestras funcionen siempre que esté programada una estación.

Nota: Si está activando una bomba de este temporizador, debe comprar un relevador de arranque de la bomba. Desde el relevador de arranque de la bomba (o válvula maestra); conecte un cable al terminal "Pump" y el otro cable al terminal "Common".

Reemplazo de la batería

El temporizador requiere 1 batería de litio CR2032.

- La batería mantendrá su programa en caso de pérdida de alimentación de CA.
- La batería debe durar un año aproximadamente.
- Abra deslizando la bandeja del compartimento de pilas hacia fuera a la derecha.
- Inserte una batería CR2032 en el compartimiento con el signo + hacia arriba.
- Deslice hacia atrás a su sitio.

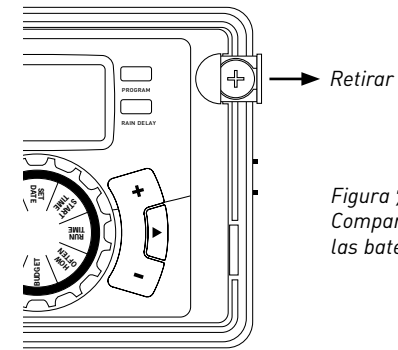


Figura 7:
Compartimento de las baterías

Una batería descargada o la ausencia de baterías puede borrar la hora, la fecha y el programa tras un corte de energía. Si esto sucede, tendrá que instalar una batería completamente cargada y reprogramar el temporizador.

Sugerencia: Reemplace la batería todos los años para evitar perder la programación.

Nota: Una batería sola no hará funcionar las válvulas de su sistema de riego. El temporizador de regador tiene un transformador empotrado que se debe conectar a una fuente de voltaje de línea de CA.

Sección 5: Referencia

TÉRMINO	DEFINICIÓN
HORA DE INICIO	La hora en que el programa comienza el riego la primera estación programada.
VÁLVULA	Suministra agua a una estación o área específicos. La abertura y el cierre de la válvula se realizan con la corriente eléctrica que suministra el temporizador de regador.
VÁLVULA MAESTRA	Suele ubicarse en la fuente de agua principal. Abre y cierra el agua para todo el sistema de irrigación cuando no está en uso.
HORAS DE INICIO MÚLTIPLES	Una característica de control que permite que un programa funcione a múltiples horas en el mismo día de riego.
PROGRAMAS SUPERPUESTOS	Cuando se configura una "hora de inicio" para un programa antes de que el programa previo haya terminado.
PROGRAMA (A, B O C)	Programas individuales configurados por el usuario. Cada programa funciona de forma independiente. Si un programa se superpone al otro, los programas quedarán "en cola". Después de que termine el primer programa comenzará el programa siguiente.
RETARDO POR LLUVIA	Una característica que pospone el funcionamiento de un programa de riego programado para una duración específica.
SOLENOIDE	La parte eléctrica en una válvula de irrigación que abre y cierra la válvula.
TEMPORIZADOR DE REGADOR	Un dispositivo que les ordena a las válvulas de la estación que funcionen.
ESTACIÓN	Un grupo de regadores que funcionan con una sola válvula controlada por el temporizador.
SUMINISTRO PARA RIEGO	Ajusta su programa de riego general como un porcentaje de la duración total de riego.

Solución de problemas

PROBLEMA	CAUSA POSIBLE
Una o más válvulas no encienden.	1. La conexión del solenoide no es la correcta.
	2. El cable está dañado o cortado.
	3. Vástago de control de flujo hacia abajo, válvula cerrada.
	4. La programación es incorrecta.
Las estaciones se encienden cuando no deben hacerlo.	1. La presión del agua es demasiado alta.
	2. Se ha programado más de una hora de inicio.
	3. A.M./P.M. es incorrecto.
Una estación permanece activa y no se apaga.	1. Válvula defectuosa.
	2. Partículas de suciedad o desechos atascados en la válvula.
	3. Diafragma de la válvula defectuoso.
Ninguna de las válvulas enciende.	1. Transformador defectuoso o desconectado.
	2. La programación es incorrecta.
El temporizador no se enciende.	1. El transformador no está conectado a un tomacorriente en funcionamiento.
Las válvulas siguen encendiéndose y apagándose cuando no están programadas para hacerlo.	1. Hay más de una hora de inicio programada con planes superpuestos.
	2. Presión excesiva.

AYUDA

1-800-488-6156 or 1-801-299-5555

www.orbitonline.com

Antes de devolver este temporizador de regador a la tienda, póngase en contacto con el Servicio técnico de Orbit® al: 1-800-488-6156, 1-801-299-5555 Listings

CLASIFICACIONES

El temporizador de regador ha sido probado para el estándar UL-50 y está clasificado por ETL®.

Los modelos internacionales apropiados están aprobados por CSA® y CE®.

Este instrumento digital clase B cumple con el ICES-003 de Canadá.

Desconexión: Tipo 1Y

Situación de contaminación normal.

El cable del suministro de este control lo puede reemplazar sólo el fabricante o su agente de servicio acreditado.

AVISO DE LA MARCA

WaterMaster® es una marca registrada de Orbit® Irrigation Products, Inc. La información de este manual está pensada para el usuario que establecerá un plan de riego y que ingresará dicho plan en el temporizador de regador. Este producto está pensado para ser utilizado como un temporizador de regador automático para la activación de válvulas de irrigación de 24-V CA como se describe en este manual.

GARANTÍA Y DECLARACIÓN

Orbit® Irrigation Products Inc. garantiza a sus clientes que sus productos estarán libres de defectos en los materiales y en la fabricación durante un período de seis años a partir de la fecha de compra.

Reemplazaremos, sin cargos, la o las piezas defectuosas o las piezas que se consideren defectuosas bajo un uso y servicio normales por un período de hasta seis años después de la compra [se exige comprobante de compra].

Nos reservamos el derecho de inspeccionar la pieza defectuosa antes de su reemplazo.

Orbit® Irrigation Products Inc. no será responsable de costos ni daños indirectos o incidentales causados por la falla del producto. La responsabilidad de Orbit® bajo esta garantía se limita solamente al reemplazo o la reparación de las piezas defectuosas.

Para utilizar su garantía, regrese la unidad al distribuidor con una copia del recibo de venta.

Este dispositivo cumple con la Sección 15 de las reglas de la FCC. El funcionamiento está sujeto a las siguientes dos condiciones: (1) Este dispositivo no debe causar interferencia perjudicial, y (2) deberá aceptar cualquier interferencia recibida, incluida la interferencia que pudiese causar la operación no deseada.

Advertencia: Los cambios o las modificaciones a esta unidad que no estén expresamente aprobadas por la parte responsable del cumplimiento podrían anular la autorización del usuario para utilizar el equipo.

NOTA: Este equipo ha sido probado y se ha verificado que cumple los límites para un dispositivo digital Clase B, conforme a la Sección 15 de las reglas de la FCC. Estos límites están diseñados para proporcionar protección razonable contra interferencia perjudicial en una instalación residencial. Este equipo genera, utiliza y puede irradiar energía de radiofrecuencia y, si no se instala y usa de acuerdo con las instrucciones, puede causar interferencia perjudicial a las comunicaciones de radio. Sin embargo, no se garantiza que no se producirán interferencias en una instalación en particular.

Si este equipo genera interferencia perjudicial a la recepción de radio o televisión, lo que se puede determinar apagando y encendiendo el equipo, se recomienda al usuario que intente corregir la interferencia con una o más de las siguientes medidas:

- Reorientar o reubicar la antena de recepción.
- Aumentar la separación entre el equipo y el receptor.
- Conectar el equipo a un tomacorriente de un circuito distinto al que usa el receptor.
- Solicitar ayuda al concesionario o a un técnico con experiencia en radio/TV.

Precaución: Este electrodoméstico no está pensado para ser utilizado por niños pequeños o por personas enfermas sin supervisión. Se debe supervisar a los niños pequeños para asegurarse de que no jueguen con el electrodoméstico.



FLUID

F 801 295 9820
F 801 951 5815
www.fluid-studio.net
1065 South 500 West
Bountiful, Utah 84010

PROOF NO: 12

DATE: 11.18.09

DES: LN SPCK: --

JOB NO: 57894-24 rA

CLIENT: ORB

SKU: 57894

UPC: NA

FILE NAME: 57894-24 rA.indd

SOFTWARE: InDesign CS3

DIMENSIONS:

FLAT: W: 14.5" H: 8"

FINISHED: W 7.25" D: 0" H 8"

COLORS



Registration



color
non printing



color
non printing



CMYK



PMS
???



PMS
????



PMS
????

ADDITIONAL INSTRUCTIONS:

- Font sizes cannot be smaller than 7 pt.
-
- Proofing Code: LB501572

Printers are responsible for meeting print production requirements. Any changes must be approved by the client and Fluid Studio.

PRINTED PIECE MUST MEET DESIGNATED SPECIFICATIONS ON THIS FORM.

© 2007 Fluid Studio. This work is the property of Fluid Studio, and cannot be used, reproduced or distributed in any way without their express permission.