

MANUAL DISC FILTERS

¾", 1", 1½"

Manual disc filters are engineered for efficient operation year after year. Plastic rings stack together creating a cylindrical filter element. During filtration, the rings are compressed together effectively filtering the water and protecting the system from clogging.



Durable
Materials



High
Efficiency

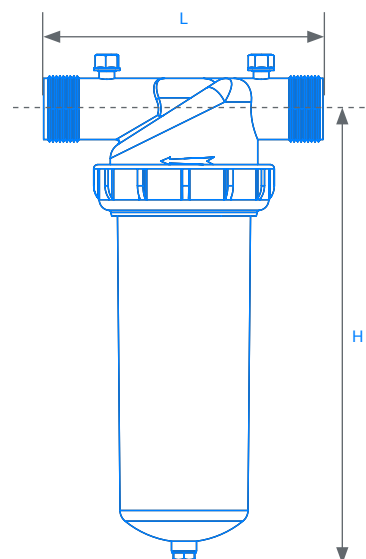
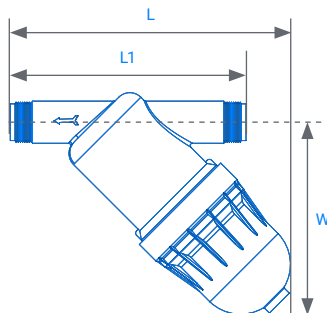


Ease of
Maintenance

Benefits & Features

- ✓ Innovative filter design captures and retains large amounts of solids
- ✓ Operation is easy and requires no special tools
- ✓ Excellent corrosion resistance
- ✓ Long life span
- ✓ Polyamide housing - resistant to harsh environmental conditions (¾" PBT housing)

→ TECHNICAL DIMENSIONS



NOTE: Technical dimension sketches are not in proportional view

→ TECHNICAL DATA



3/4" W/O VALVE, 3/4" FILTAP (WITH VALVE)

	3/4" W/O VALVE
MAX. PRESSURE	10 BAR
FLOW RATE: 400-100 MICRON (40-140 MESH)	4 M ³ /H
FILTRATION SURFACE AREA	160 CM ²
FILTRATION VOLUME	95 CM ³
L - DISTANCE BETWEEN CONNECTIONS	151 MM / 5.94"
L1 - TOTAL LENGTH	179 MM / 7.04"
H - HEIGHT	122 MM / 4.81"
WEIGHT	0.37 KG



1", 1" SUPER

	1"	1" SUPER
MAX. PRESSURE	10 BAR	10 BAR
FLOW RATE: 400-100 MICRON (40-140 MESH)	6 M ³ /H	8 M ³ /H
55 MICRON	4 M ³ /H	6 M ³ /H
FILTRATION SURFACE AREA	306 CM ²	500 CM ²
FILTRATION VOLUME	360 CM ³	592 CM ³
L - DISTANCE BETWEEN CONNECTIONS	158 MM / 6.22"	158 MM / 6.22"
H - HEIGHT	212 MM / 8.35"	317 MM / 12.49"
WEIGHT	1.1 KG	1.4 KG



1 1/2", 1 1/2" SUPER

	1 1/2"	1 1/2" SUPER
MAX. PRESSURE	10 BAR	10 BAR
FLOW RATE: 400-100 MICRON (40-140 MESH)	8 M ³ /H	12 M ³ /H
55 MICRON	5 M ³ /H	8 M ³ /H
FILTRATION SURFACE AREA	306 CM ²	500 CM ²
FILTRATION VOLUME	360 CM ³	592 CM ³
L - DISTANCE BETWEEN CONNECTIONS	201 MM / 7.91"	201 MM / 7.91"
H - HEIGHT	219 MM / 8.63"	324 MM / 12.77"
WEIGHT	1.3 KG	1.5 KG

MANUAL DISC FILTERS

2", 3"

Manual disc filters are engineered for efficient operation year after year. Plastic rings stack together creating a cylindrical filter element. During filtration, the rings are compressed together effectively filtering the water and protecting the system from clogging.



Durable
Materials



High
Efficiency

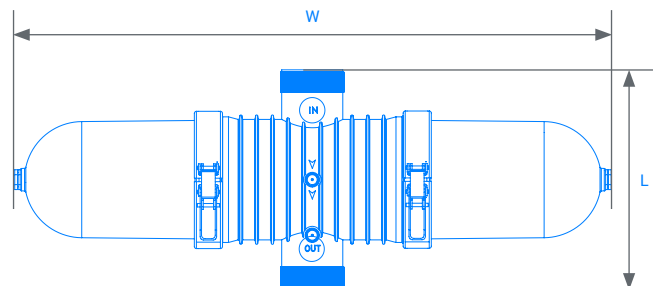
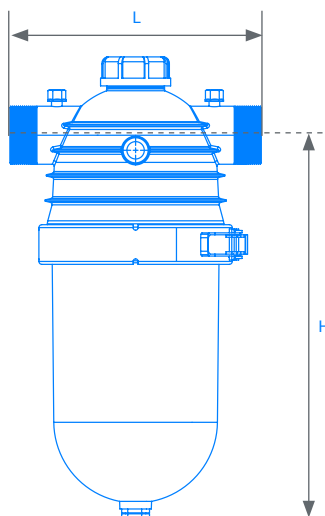


Ease of
Maintenance

Benefits & Features

- ✓ Innovative filter design captures and retains large amounts of solids
- ✓ Operation is easy and requires no special tools
- ✓ Excellent corrosion resistance
- ✓ Long life span
- ✓ **2" Dual filter** - Angle or in-line outlet options for maximum flexibility
- ✓ **3" Twin filter** - Largest filtration area of comparable products
- ✓ Polyamide housing - resistant to harsh environmental conditions

→ TECHNICAL DIMENSIONS



NOTE: Technical dimension sketches are not in proportional view

→ TECHNICAL DATA



2" LINE/DUAL

MAX. PRESSURE	10 BAR
FLOW RATE: 400-100 MICRON (40-140 MESH)	25 M ³ /H
70 MICRON	20 M ³ /H
55 MICRON	17 M ³ /H
20 MICRON	8 M ³ /H
FILTRATION SURFACE AREA	950 CM ²
FILTRATION VOLUME	1225 CM ³
L - DISTANCE BETWEEN CONNECTIONS	260 MM / 10.24"
H - HEIGHT	395 MM / 15.57"
WEIGHT	5 KG



3" TWIN

MAX. PRESSURE	10 BAR
FLOW RATE: 400-100 MICRON (40-140 MESH)	50 M ³ /H
70 MICRON	40 M ³ /H
55 MICRON	34 M ³ /H
20 MICRON	16 M ³ /H
FILTRATION SURFACE AREA	1900 CM ²
FILTRATION VOLUME	2450 CM ³
L - DISTANCE BETWEEN END CONNECTIONS	320 MM / 12.6"
W - TOTAL WIDTH	870 MM / 34.25"
WEIGHT (FLANGED)	13.95 KG
WEIGHT (VICTAULIC, THREADED)	9.85 KG

MANUAL DISC FILTERS

2", 3" LEADER

Manual disc filters are engineered for efficient operation year after year. Plastic rings stack together creating a cylindrical filter element. During filtration, the rings are compressed together effectively filtering the water and protecting the system from clogging.



Durable
Materials



High
Efficiency

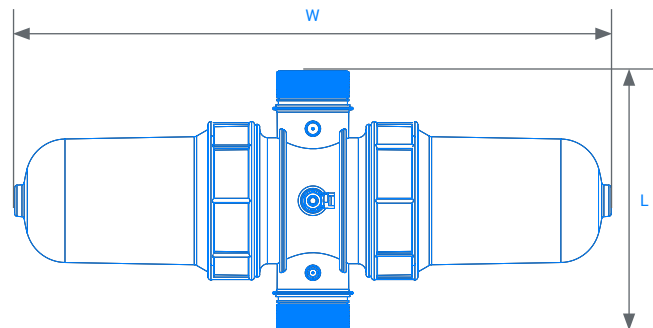
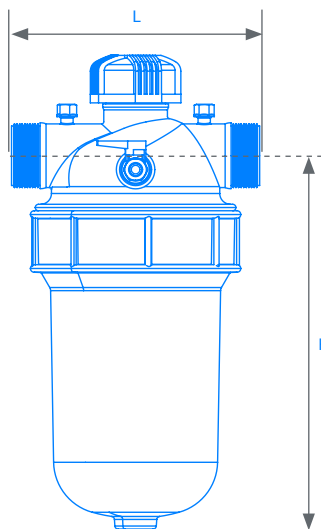


Ease of
Maintenance

Benefits & Features

- ✓ Innovative filter design captures and retains large amounts of solids
- ✓ Operation is easy and requires no special tools
- ✓ Long life span
- ✓ Easy to open, clean and close
- ✓ Suitable for all commonly used fertilizers and acids
- ✓ Suitable for sea and brackish water, high and low pH 2-13
- ✓ Polypropylene housing - excellent chemical resistance

→ TECHNICAL DIMENSIONS



NOTE: Technical dimension sketches are not in proportional view

→ TECHNICAL DATA



2" LEADER

MAX. PRESSURE	10 BAR
FLOW RATE: 400-100 MICRON (40-140 MESH)	25 M ³ /H
70 MICRON	20 M ³ /H
55 MICRON	17 M ³ /H
20 MICRON	8 M ³ /H
FILTRATION SURFACE AREA	950 CM ²
FILTRATION VOLUME	1225 CM ³
L - DISTANCE BETWEEN CONNECTIONS	230 MM / 9.06"
H - HEIGHT	346 MM / 13.62"
WEIGHT	2 KG



3" LEADER

MAX. PRESSURE	10 BAR
FLOW RATE: 400-100 MICRON (40-140 MESH)	50 M ³ /H
70 MICRON	40 M ³ /H
55 MICRON	34 M ³ /H
20 MICRON	16 M ³ /H
FILTRATION SURFACE AREA	1900 CM ²
FILTRATION VOLUME	2450 CM ³
L - DISTANCE BETWEEN CONNECTION	320 MM / 12.6"
W - WIDTH	734 MM / 28.9"
DISTANCE BETWEEN END CONNECTIONS	A. 260 MM B.76 MM
WEIGHT (FLANGED)	8 KG
WEIGHT (VICTAULIC, THREADED)	6.3 KG

MANUAL DISC FILTERS

2" DUAL LITE, 3" TWIN LITE

Manual disc filters are engineered for efficient operation year after year. Plastic rings stack together creating a cylindrical filter element. During filtration, the rings are compressed together effectively filtering the water and protecting the system from clogging.



Durable
Materials



High
Efficiency

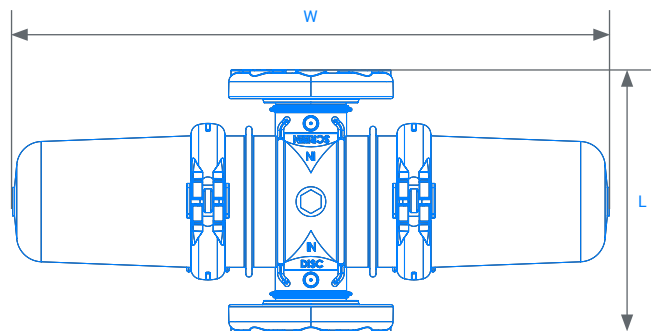
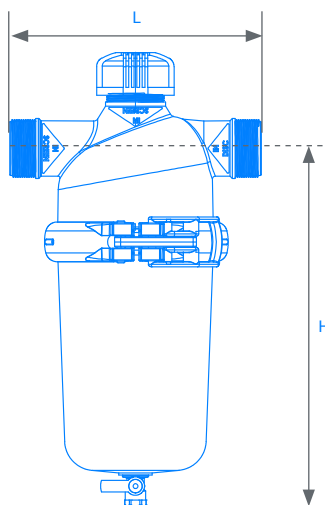


Ease of
Maintenance

Benefits & Features

- ✓ Innovative filter design captures and retains large amounts of solids
- ✓ Operation is easy and requires no special tools
- ✓ Long life span
- ✓ Easy to open, clean and close
- ✓ Suitable for all commonly used fertilizers and acids
- ✓ Suitable for sea and brackish water, high and low pH 2-13
- ✓ Polypropylene housing - excellent chemical resistance
- ✓ Unique polymeric clamp

→ TECHNICAL DIMENSIONS



NOTE: Technical dimension sketches are not in proportional view

→ TECHNICAL DATA



2" DUAL LIGHT

MAX. PRESSURE	8 BAR
FLOW RATE: 400-100 MICRON (40-140 MESH)	25 M ³ /H
70 MICRON	20 M ³ /H
55 MICRON	17 M ³ /H
20 MICRON	8 M ³ /H
FILTRATION SURFACE AREA	950 CM ²
FILTRATION VOLUME	1225 CM ³
L - DISTNCE BETWEEN CONNECTIONS	260 MM / 10.24"
H - HEIGHT	362 MM / 14.2"
WEIGHT	3 KG



3" TWIN LITE

MAX. PRESSURE	8 BAR
FLOW RATE: 400-100 MICRON (40-140 MESH)	50 M ³ /H
70 MICRON	40 M ³ /H
55 MICRON	34 M ³ /H
20 MICRON	16 M ³ /H
FILTRATION SURFACE AREA	1900 CM ²
FILTRATION VOLUME	2450 CM ³
L - DISTNCE BETWEEN CONNECTIONS	320 MM / 12.6"
W - FILTER WIDTH	724 MM / 28.5"
WEIGHT (FLANGED)	5.9 KG

MANUAL DISC FILTERS

3", 4" SUPER ANGLE

Manual disc filters are engineered for efficient operation year after year. Plastic rings stack together creating a cylindrical filter element. During filtration, the rings are compressed together effectively filtering the water and protecting the system from clogging.



Durable
Materials



High
Efficiency

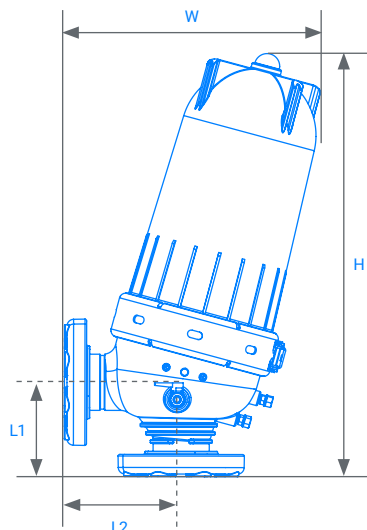


Ease of
Maintenance

Benefits & Features

- ✓ Innovative filter design captures and retains large amounts of solids
- ✓ Operation is easy and requires no special tools
- ✓ Long life span
- ✓ Easy to open, clean and close
- ✓ Suitable for all commonly used fertilizers and acids
- ✓ Suitable for sea and brackish water, high and low pH 2-13
- ✓ Polypropylene housing - excellent chemical resistance

→ TECHNICAL DIMENSIONS



NOTE: Technical dimension sketches are not in proportional view

→ TECHNICAL DATA



3" SUPER ANGLE

MAX. PRESSURE	10 BAR
FLOW RATE: 400-100 MICRON (40-140 MESH)	50 M ³ /H
55 MICRON	35 M ³ /H
20 MICRON	18 M ³ /H
FILTRATION SURFACE AREA	1852 CM ²
FILTRATION VOLUME	2223 CM ³
H - FILTER HEIGHT	669 MM / 26.36"
W - FILTER WIDTH	397 MM / 15.65"
L1	149 MM / 5.87"
L2	158 MM / 7.28"
WEIGHT (FLANGED)	12.25 KG
WEIGHT (VICTAULIC, THREADED)	11.05 KG



4" SUPER ANGLE

MAX. PRESSURE	10 BAR
FLOW RATE: 400-100 MICRON (40-140 MESH)	60 M ³ /H
55 MICRON	40 M ³ /H
20 MICRON	20 M ³ /H
FILTRATION SURFACE AREA	1852 CM ²
FILTRATION VOLUME	2223 CM ³
H - FILTER HEIGHT	662 MM / 26.07"
W - FILTER WIDTH	397 MM / 15.65"
L1	145 MM / 5.71"
L2	185 MM / 7.28"
WEIGHT (FLANGED)	13.50 KG
WEIGHT (VICTAULIC, THREADED)	11.40 KG

* Manifold construction material options: Polypropylene, Polyester Coated, Stainless Steel
 * Measurements are for reference only

MANUAL DISC FILTERS

4", 6" SUPER LEADER

Manual disc filters are engineered for efficient operation year after year. Plastic rings stack together creating a cylindrical filter element. During filtration, the rings are compressed together effectively filtering the water and protecting the system from clogging.



Durable
Materials



High
Efficiency

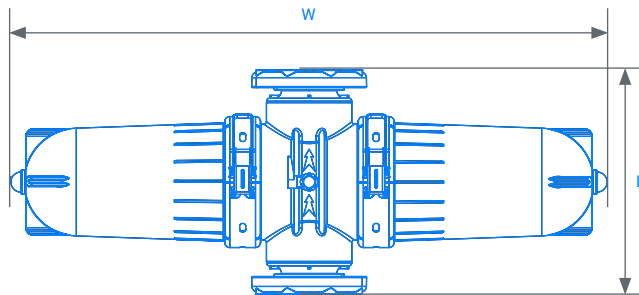


Ease of
Maintenance

Benefits & Features

- ✓ Innovative filter design captures and retains large amounts of solids
- ✓ Operation is easy and requires no special tools
- ✓ Long life span
- ✓ The largest polypropylene disc filters
- ✓ Easy to open, clean and close
- ✓ Suitable for all commonly used fertilizers and acids
- ✓ Suitable for sea and brackish water, high and low pH 2-13
- ✓ Polypropylene housing - excellent chemical resistance

→ TECHNICAL DIMENSIONS



NOTE: Technical dimension sketches are not in proportional view

→ TECHNICAL DATA



4" SUPER LEADER

MAX. PRESSURE	10 BAR
FLOW RATE: 400-100 MICRON (40-140 MESH)	110 M ³ /H
FILTRATION SURFACE AREA	3704 CM ²
FILTRATION VOLUME	4446 CM ³
L - DISTANCE BETWEEN CONNECTIONS	445 MM / 17.52"
W - FILTER WIDTH	1184 M / 46.61"
WEIGHT	24.65 KG



6" SUPER LEADER

MAX. PRESSURE	10 BAR
FLOW RATE: 400-100 MICRON (40-140 MESH)	160 M ³ /H
FILTRATION SURFACE AREA	3704 CM ²
FILTRATION VOLUME	4446 CM ³
L - DISTANCE BETWEEN CONNECTIONS	415 MM / 16.34"
W - FILTER WIDTH	1184 MM / 46.61"
WEIGHT	26.40 KG