

Horizontal Multistage Pumps

50 Hz Stainless Steel MH 5 Specifications

Technical data 50Hz

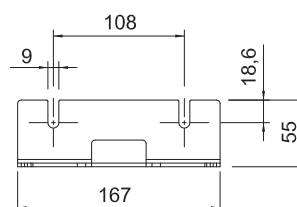
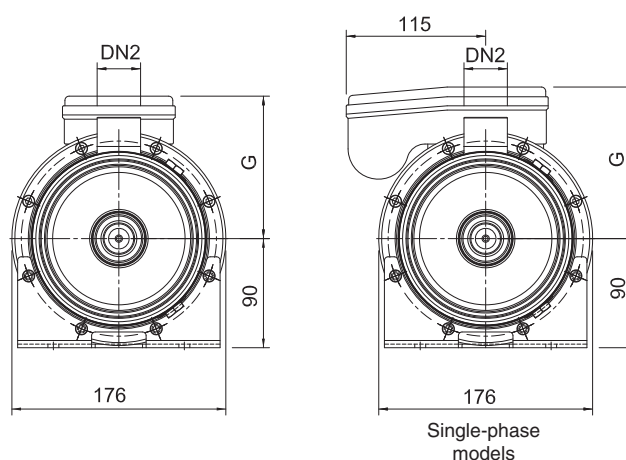
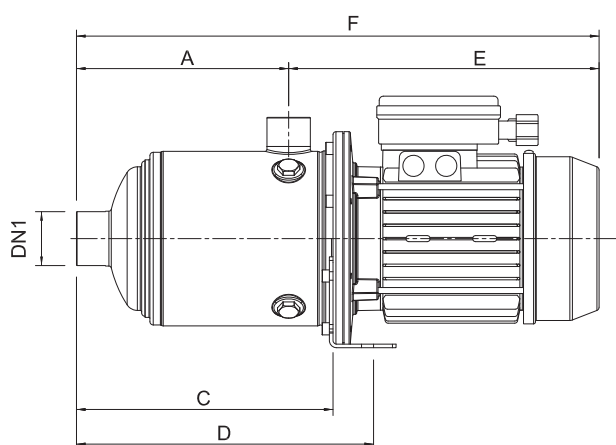
Single-phase 220-240 V 50 Hz		Three-phase 380-415 V 50 Hz		Number of Stages	Motor Power		Input Power		Internal Capacitor		Rated Current		
Model No.	Order No.	Model No.	Order No.		kW	HP	kW	μF	V	Single-phase	Three-phase		
										220-240 V 50 Hz	220-240 V 50 Hz	380-415 V 50 Hz	
5AMH2B-51	96141005102	5AMH2B-53	96141005302	2	0.45	0.6	0.58	16	450	3.0	2.6	1.5	
5AMH3B-51	96141005103	5AMH3B-53	96141005303	3	0.55	0.75	0.80	16	450	3.9	2.9	1.7	
5AMH4B-51	96141005104	5AMH4B-53	96141005304	4	0.9	1.2	1.10	30	450	5.3	4.3	2.5	
5AMH5B-51	96141005105	5AMH5B-53	96141005305	5	1.1	1.5	1.33	30	450	6.2	4.7	2.7	
5AMH6B-51	96141005106	5AMH6B-53	96141005306	6	1.3	1.8	1.56	30	450	7.3	5.7	3.3	
5AMH7B-51	96141005107	5AMH8B-53	96141005307	7	1.5	2	1.79	30	450	8.2	6.2	3.6	
5AMH8B-51	96141005108	5AMH8B-53	96141005308	8	1.5	2	2.00	30	450	8.9	6.6	3.8	
-	-	5AMH9B-53	96141005309	9	1.85	2.5	2.30	-	-	-	7.1	4.1	

Single-phase motors: 220-240 V ± 5 % / 50 Hz. Thermal protection built into the motor.

Three-phase motors: 380-415 V ± 5 % / 50 Hz. Thermal protection to be provided into the starter panel by the installer.

Dimensions and weights

Single-phase 220-240 V 50 Hz	Three-phase 380-415 V 50 Hz	Dimensions								Packaging				
Model No.	Model No.	A mm	E mm	C mm	D mm	F mm	G (mm)		DN1	DN2	L mm	B mm	H mm	Weight (kg)
							1-phase	3-phase						
5AMH2B-51	5AMH2B-53	103	256	139.6	173	359	120	118	BSP 1.25"	BSP 1"	500	200	260	10.5
5AMH3B-51	5AMH3B-53	103	256	139.6	173	359	120	118			500	200	260	10.6
5AMH4B-51	5AMH4B-53	127	256	163.6	197	383	120	118			500	200	260	13.0
5AMH5B-51	5AMH5B-53	151	256	187.6	221	407	120	118			500	200	260	13.5
5AMH6B-51	5AMH6B-53	175	300	211.6	245	475	125	125			610	220	260	17.1
5AMH7B-51	5AMH7B-53	199	300	235.6	269	499	125	125			610	220	260	17.7
5AMH8B-51	5AMH8B-53	223	300	259.6	293	523	125	125			610	220	260	18.2
-	5AMH9B-53	247	300	283.6	317	547	125	125			610	220	260	18.7



Horizontal Multistage Pumps

50 Hz Stainless Steel

MH 5 Specifications

