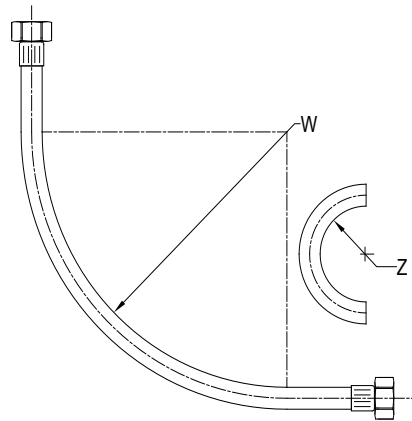


DURA - FLEX HOSES WATER

SPECIFICATIONS

Hose Internal Diameter	8mm
Hose Inner Material	EPDM
Outer Braid Material	304 Stainless Steel
End Fittings	DR Brass
Ferrules	304 Stainless Steel
Maximum Working Pressure	1,400 kPa
Hose Dynamic Bend radius (W)	140mm
Hose Minimum Bend Radius (Z)	30mm
Working Temperature Range	5°C to 90°C
Standard	AS/NZS 3499
Licence	WMKA20101



INSTALLATION

- Tighten female hex nuts (with rubber cone seal) to 10Nm torque
- The installer is responsible for ensuring proper installation of the product
- Ensure that all threads are clean and that the seals are undamaged
- Ensure that there are no leaks after installation
- This product is only to be used on potable water
- Don't install this product directly onto hot water units
- Don't stretch, twist or excessively bend hose
- Hoses are designed for applications above ground, accessible and not submerged
- It is recommended to connect to an isolation valve immediately before the hose.



PRODUCT RANGE

Code	Description	Code	Description
107600	Dura Flex Hose Water 1/2" Hex 150mm	107607	Dura Flex Hose Water 1/2" Elbow 225mm
107601	Dura Flex Hose Water 1/2" Hex 225mm	107608	Dura Flex Hose Water 1/2" Elbow 300mm
107602	Dura Flex Hose Water 1/2" Hex 300mm	107609	Dura Flex Hose Water 1/2" Elbow 450mm
107603	Dura Flex Hose Water 1/2" Hex 450mm	107610	Dura Flex Hose Water 1/2" Elbow 600mm
107604	Dura Flex Hose Water 1/2" Hex 600mm		
107605	Dura Flex Hose Water 1/2" Hex 1000mm		
107606	Dura Flex Hose Water 1/2" Hex 1500mm		

WARRANTY

You have purchased a quality product from Reece Australia. This product is covered by a 10 year warranty. This warranty covers faults in the product construction, material and assembly. Faulty products will be repaired or exchanged free of charge. Faulty items become our property.

This warranty does not include faults caused by

- Unsuitable or improper use
- Incorrect installation
- Used for the wrong application
- Installation in wall or ceilings (or where the product is not accessible)
- Normal wear and tear
- Over tightening
- Installation or part installation by the purchaser or any person other than a LICENSED PLUMBER
- Exposure to corrosive agents, chemical, electrochemical or electrical influences
- Inadequate or complete lack of maintenance

To the maximum extent permitted by law, Reece excludes all warranties other than those set out above. In the event of a warranty claim, we will replace or repair defective products, or pay for the cost of having defective products repaired or replaced, but will not be liable for any injury to any person, damage to any property, any indirect or consequential loss, or in any other respect.