


Position	Qty.	Description
	1	<p>CHI 4-30 A-W-G-BQQV</p>  <p style="text-align: center;">Note! Product picture may differ from actual product</p> <p>Product No.: 4J518003 Horizontal, multi-stage, non-self-priming, centrifugal pump with axial suction port and radial discharge port.</p> <p>The compact unit has mechanical shaft seal according to EN 12756 and through-going motor/pump shaft.</p> <p>Pump and motor are mounted on a common baseplate and all pump components in contact with the pumped liquid are made of stainless steel.</p> <p>The motor is a 3-phase motor.</p> <p>Liquid: Pumped liquid: Water Liquid temperature range: -4 .. 230 °F Liquid temperature during operation: 68 °F Density: 62.29 lb/ft³</p> <p>Technical: Rated flow: 19.8 US GPM Rated head: 68.9 ft Primary shaft seal: BQQV</p> <p>Materials: Pump housing: Stainless steel DIN W.-Nr. 1.4401 AISI 316 Impeller: Stainless steel DIN W.-Nr. 1.4401 AISI 316</p> <p>Installation: Range of ambient temperature: 5 .. 104 °F Maximum operating pressure: 145 psi Max pressure at stated temp: 145 psi / 230 °F Pipe connection: Rp 1 1/4/G 1 1/4</p> <p>Electrical data: Power input - P1: 800 W Mains frequency: 50 Hz Rated voltage: 3 x 220-240D/380-415Y V Rated current: 2,4/1,4 A Enclosure class (IEC 34-5): IP55 Insulation class (IEC 85): F</p>



Company name:

Created by:

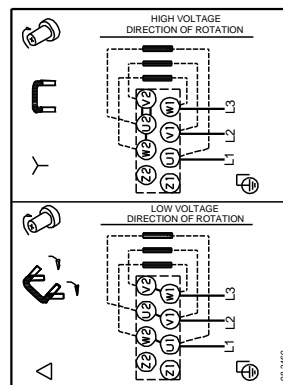
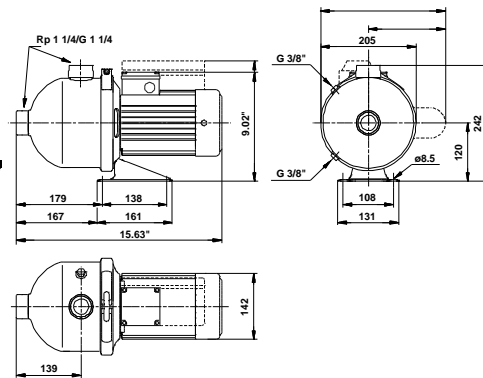
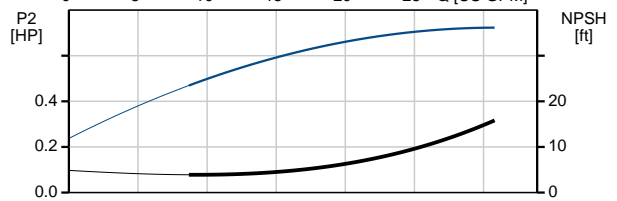
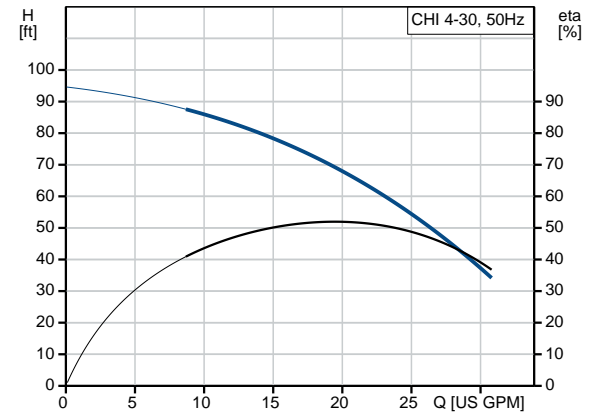
Phone:

Date:

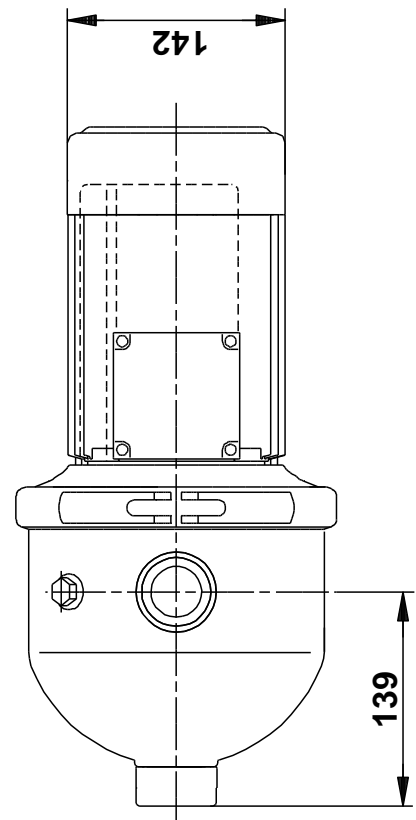
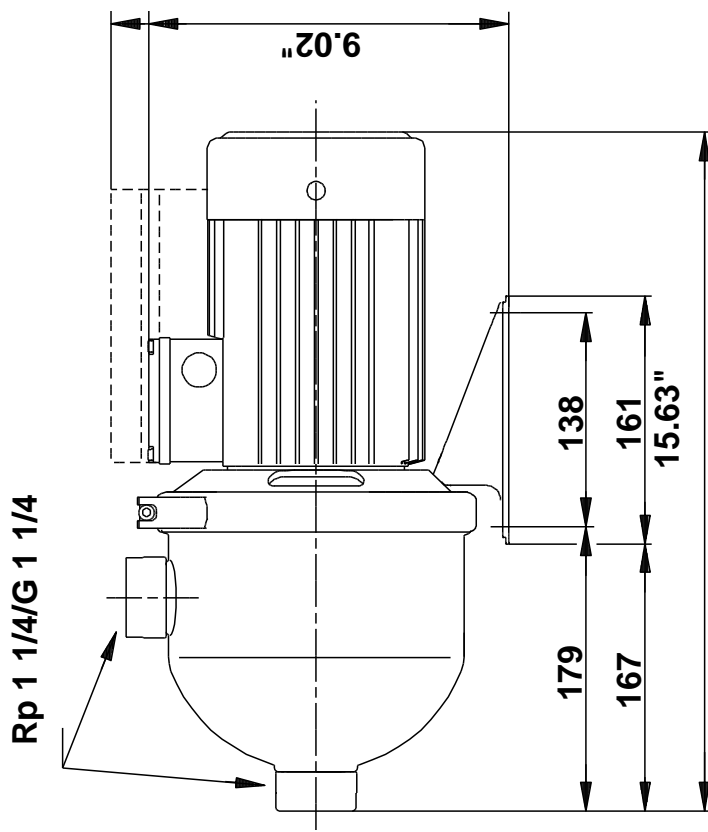
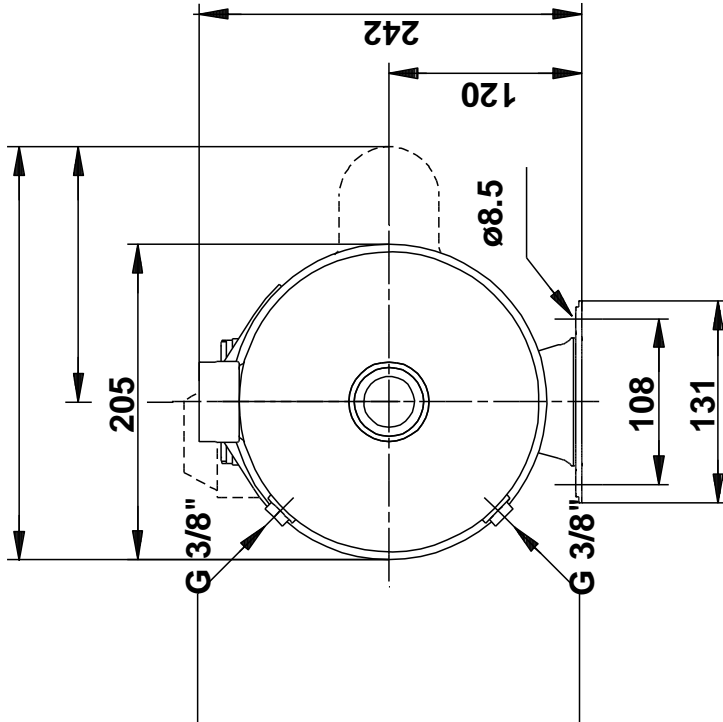
27/07/2017

Position	Qty.	Description						
		<p>Others:</p> <table><tr><td>Net weight:</td><td>21.8 lb</td></tr><tr><td>Gross weight:</td><td>27.1 lb</td></tr><tr><td>Shipping volume:</td><td>1.91 ft³</td></tr></table>	Net weight:	21.8 lb	Gross weight:	27.1 lb	Shipping volume:	1.91 ft ³
Net weight:	21.8 lb							
Gross weight:	27.1 lb							
Shipping volume:	1.91 ft ³							

Description	Value
General information:	
Product name:	CHI 4-30 A-W-G-BQQV
Product No:	4J518003
EAN number:	5708601032936
Technical:	
Rated flow:	19.8 US GPM
Rated head:	68.9 ft
Head max:	95.15 ft
Impeller 90 mm:	3
Primary shaft seal:	BQQV
Pump version:	A
Model:	C
Materials:	
Pump housing:	Stainless steel
	DIN W.-Nr. 1.4401
	AISI 316
Impeller:	Stainless steel
	DIN W.-Nr. 1.4401
	AISI 316
Material code:	G
Installation:	
Range of ambient temperature:	5 .. 104 °F
Maximum operating pressure:	145 psi
Max pressure at stated temp:	145 psi / 230 °F
Connect code:	W
Pipe connection:	Rp 1 1/4/G 1 1/4
Liquid:	
Pumped liquid:	Water
Liquid temperature range:	-4 .. 230 °F
Liquid temperature during operation:	68 °F
Density:	62.29 lb/ft ³
Electrical data:	
Power input - P1:	800 W
P2:	750970 HP
Mains frequency:	50 Hz
Rated voltage:	3 x 220-240D/380-415Y V
Rated current:	2,4/1,4 A
Enclosure class (IEC 34-5):	IP55
Insulation class (IEC 85):	F
Motor protec:	NONE
Thermal protec:	external
Others:	
Net weight:	21.8 lb
Gross weight:	27.1 lb
Shipping volume:	1.91 ft ³

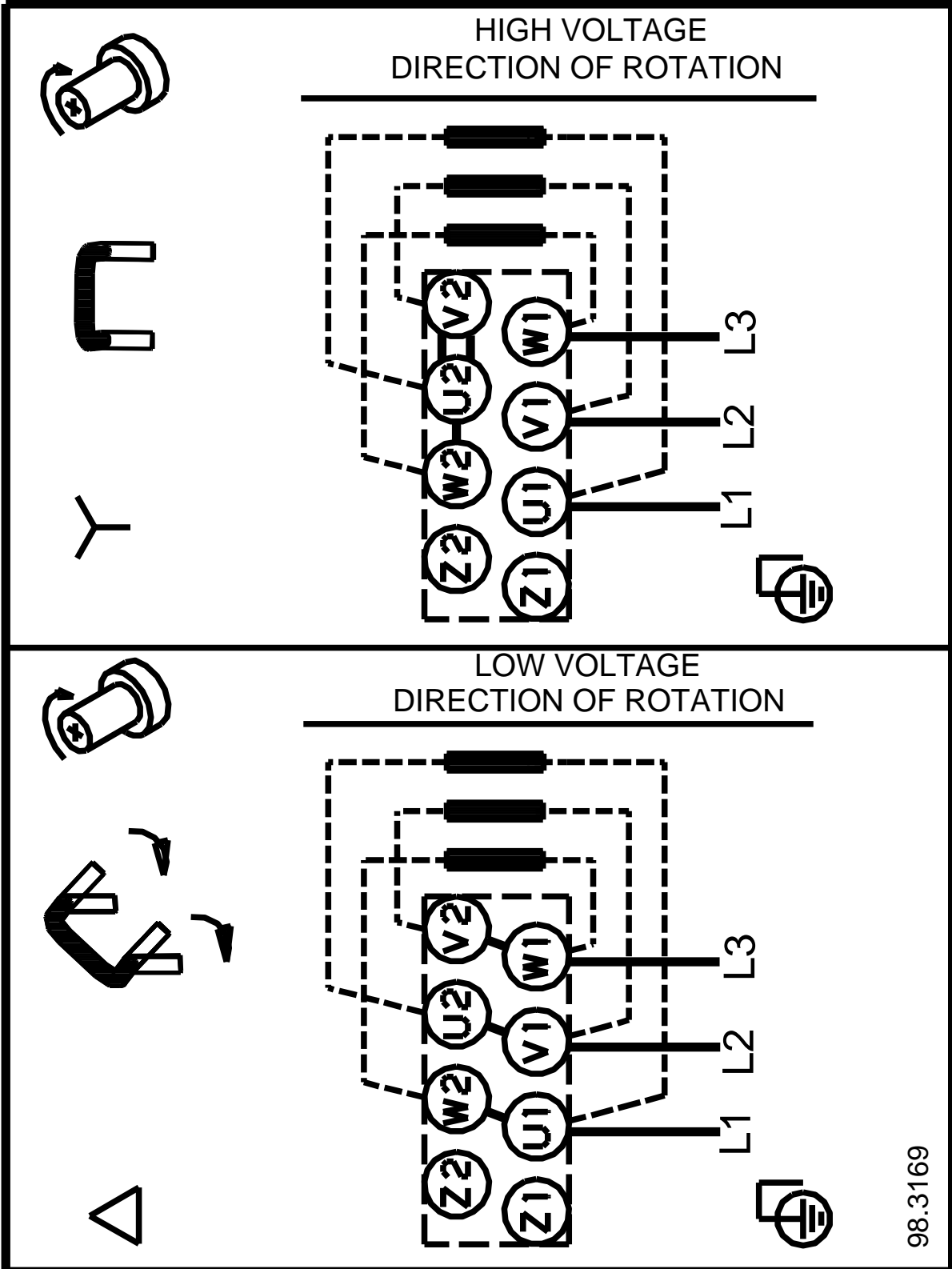


4J518003 CHI 4-30 50 Hz



Note! All units are in [mm] unless others are stated.
Disclaimer: This simplified dimensional drawing does not show all details.

4J518003 CHI 4-30 50 Hz



Note! All units are in [mm] unless others are stated.