



Depend on Davey

**DAVEY**

## APPLICATIONS

- Water supply
- Water transfer
- Hosing down - dairies, factory floors etc.
- Tank filling
- Sprinkler supply
- Garden reticulation



## Dynaflo 6000 Series

6220 & 6230

### Single Stage Pump

Model Numbers:

62201, 62203 & 62303

Rugged economical single stage centrifugal pumps, designed for total heads to 41m and flows to 460lpm.

Also available in 230V single phase 60Hz, 380V three phase 60Hz and 230/460V three phase 60Hz versions.

## WHY CHOOSE THE Davey Dynaflo Single Stage Pump?

Every pump is performance and pressure tested in our factory to ensure quality and reliability.

Cast iron pump casing with baked polyester finish inside & outside for long life.

O-ring sealed hand tightened priming plugs for easy operation.

Proven, robust pump design for long life.

Davey manufactured motor with IP56-TEFC, 2 pole motor is corrosion resistant for long term protection against vermin, dust and water.

Motor and pump are designed for frequent starts providing a long and reliable working life.

In-built thermal overload protection with automatic reset in all single phase models for long term motor protection.

Double contact seal, C3, high temperature greased bearings for long life and smooth running.

2m power lead with 15amp Australian three pin plug fitted to all single phase models.

Single phase 62201S model is suitable for both 220-240V and 440-480V single phase supply.

Corrosion resistant motor mounting feet for long life.

### OPERATING LIMITS

Type	6220	6230
Capacities to	360 lpm	460 lpm
Maximum total head	38.7m	42.2m
Maximum suction head	7.0m	
Maximum water temperature	50°C	
Minimum water temperature	1°C	
Inlet size	2" BSP(F)	
Outlet size	1½" BSP(F)	
Maximum casing pressure	105m	

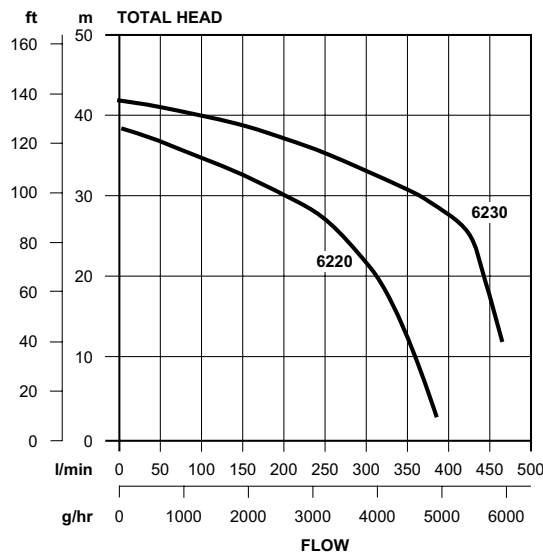
### MATERIALS OF CONSTRUCTION

Part	Material
Impellers	Glass filled polycarbonate
Pump casing	Cast iron
Seal ring (stationary)	Ceramic
Seal ring (rotating)	Carbon
Shaft	304 stainless steel
Seal elastomer	Nitrile rubber
Pump o-rings	Nitrile rubber
Motor shell	Aluminium
Pump casing/Shell finish	Baked polyester
Motor mounting feet	Xenoy plastic
Motor through bolts	304SS with brass nuts
Motor fan	Polypropylene

### INSTALLATION & PRIMING

- Installation with suction lift require a good quality foot valve to avoid loss of prime.
- To prime, fill pump body and suction line through priming plug hole located above suction inlet and replace plug.

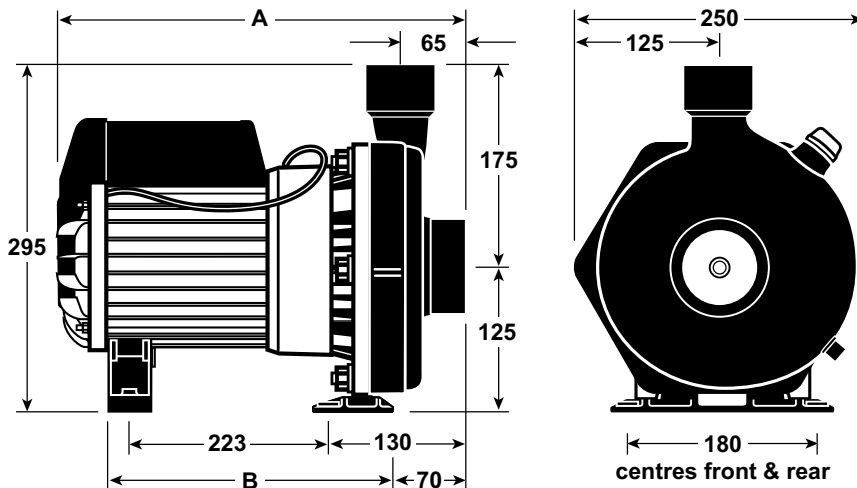
### HYDRAULIC PERFORMANCE



### ELECTRICAL DATA

Type	6220		6230	
Phase/50Hz	Single	Three	Three	Three
Supply voltage	220-240	440-480	380-415	380-415
Full load current (A)	14.0	7.0	4.5	6.2
Locked rotor current (A)	54	27	24	47
Input power (kW)	3.20		2.63	3.70
Output power (kW)	2.20			3.20
Insulation	Class F			
Starting	P.S.C.		N/A	
IP rating	IP56			

### DIMENSIONS



Type	A (mm)	B (mm)	Mounting holes diameter (mm)	Inlet B.S.P.	Outlet B.S.P.	Net Weight (kg)
6220 1Ø	415	280	10	2" F	1½" F	32.0
6220 3Ø	405	270	10	2" F	1½" F	29.7
6230 3Ø	445	310	10	2" F	1½" F	33.4

All dimensions in mm unless otherwise stated.



[davey.com.au](http://davey.com.au) | [daveynz.co.nz](http://daveynz.co.nz)

This literature is not a complete guide to product usage. Further information is available from your Davey Dealer, Davey Support Centre and from the relevant product Installation and Operating Instructions. Must be read in conjunction with the relevant product Installation and Operating Instructions and all applicable statutory requirements. Product specifications may change without notice.  
 © Davey is a registered trademark of Davey Water Products Pty Ltd. © Davey Water Products Pty Ltd 2015.