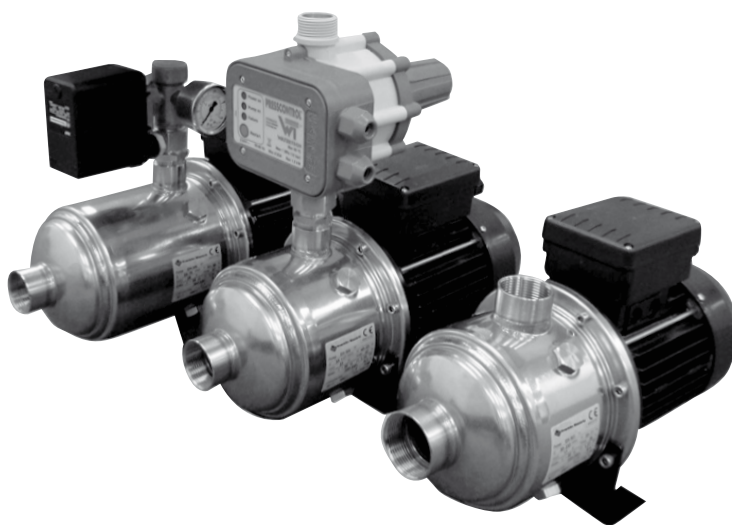


FPS MH series



Horizontal Stainless Steel Multistage Pumps

3, 6, 9 m³/h



Franklin Electric

Horizontal Multistage Pumps

50 Hz Stainless Steel

3-9 m³/h



FPS

MH series

The new MH Series, multi-stage booster pump is designed to meet your pressure boosting needs. The stainless steel construction offers high performance in a wide variety of applications.

Applications:

- Small domestic and industrial systems / Domestic water supply
- Water distribution / Pressure boosting
- Irrigation / Gardening / Sprinklers / Rainwater collection
- Industrial plants / Wash down unit
- Other various installations

Model Number Explanation

Example: 3AMH2B-51

3 = m³/h

AMH = Series

2 = # of Stages

B = BSP Threads

51 = 50 Hz Single-phase
(53-Three-phase)

Features:

- Compact close-coupled design, robust and rust resistant / Superior efficiency and performances
- Heavy duty oversize motor shaft
- Body, impellers and diffuser made of 300 series SS for maximum durability
- Easy maintenance
- Robust ball bearing fitted into the motor bracket for greater longevity
- Single-phase models come with AU/NZ plug

Options:

- PressControllers
- Pressure switch and tank
- Check valves
- Pump bases and covers

Specifications:

- Capacities up to 14 m³/h at 50 Hz. Available in 3 flow rates: 3, 5 and 9 m³/h
- Heads up to 10 bar, at 50 Hz.
- Suction inlet 1.25" BSP MH 3/5 - 1.5" BSP MH 9
- Discharge outlet 1" BSP MH 3/5 - 1.25" BSP MH 9
- Maximum working pressure 10 bar
- Maximum ambient temperature 40 °C
- Liquid temperature range -15 °C to 110 °C
- Asynchronous, TEFC, Class F insulation, IP55 protection motor
- Capacitor inside terminal box
- Single-phase motors with built-in thermal relay

Horizontal Multistage Pumps

50 Hz Stainless Steel MH 3 Specifications

Technical data 50Hz

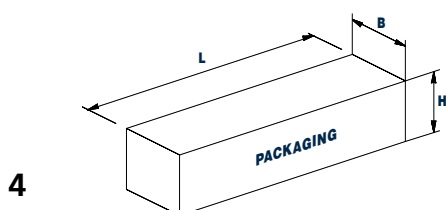
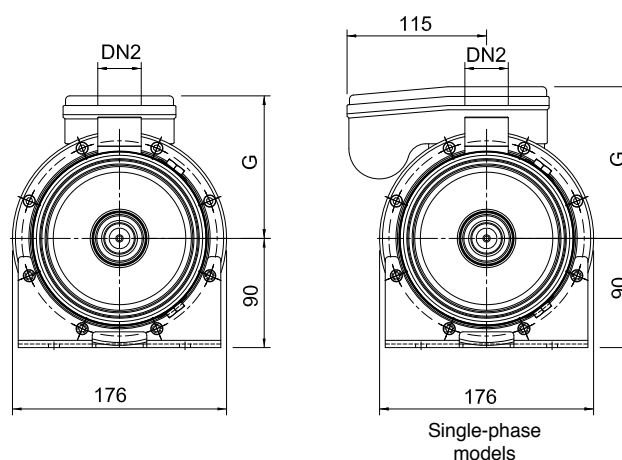
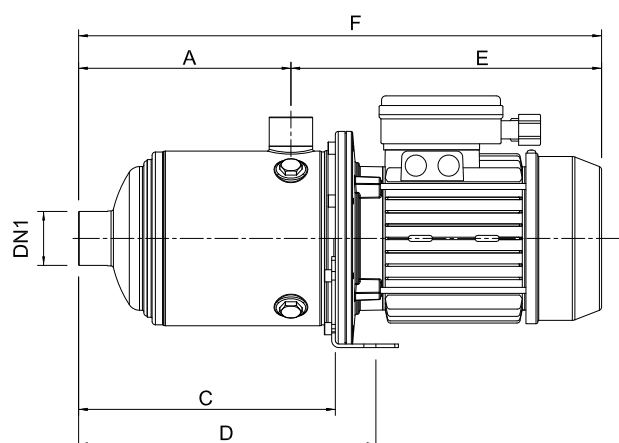
Single-phase 220-240 V 50 Hz		Three-phase 380-415 V 50 Hz		Number of Stages	Motor Power		Input Power kW	Internal Capacitor		Rated Current			
Model No.	Order No.	Model No.	Order No.		kW	HP		μF	V	Single-phase 220-240 V 50Hz		Three-phase	
										220-240 V 50 Hz	380-415 V 50 Hz		
3AMH2B-51	96141003102	3AMH2B-53	96141003302	2	0.33	0.45	0.44	16	450	2.5	2.4	1.4	
3AMH3B-51	96141003103	3AMH3B-53	96141003303	3	0.45	0.6	0.59	16	450	3.0	2.6	1.5	
3AMH4B-51	96141003104	3AMH4B-53	96141003304	4	0.55	0.75	0.75	16	450	3.7	2.9	1.7	
3AMH5B-51	96141003105	3AMH5B-53	96141003305	5	0.75	1	0.90	16	450	4.3	3.1	1.8	
3AMH6B-51	96141003106	3AMH6B-53	96141003306	6	0.9	1.2	1.14	30	450	5.4	4.3	2.5	
3AMH7B-51	96141003107	3AMH7B-53	96141003307	7	1.1	1.5	1.29	30	450	6.0	4.7	2.7	
3AMH8B-51	96141003108	3AMH8B-53	96141003308	8	1.3	1.8	1.46	30	450	6.9	5.5	3.2	
3AMH9B-51	96141003109	3AMH9B-53	96141003309	9	1.5	2	1.61	30	450	7.5	5.9	3.4	

Single-phase motors: 220-240 V ± 5 % / 50 Hz. Thermal protection built into the motor.

Three-phase motors: 380-415 V ± 5 % / 50 Hz. Thermal protection to be provided into the starter panel by the installer.

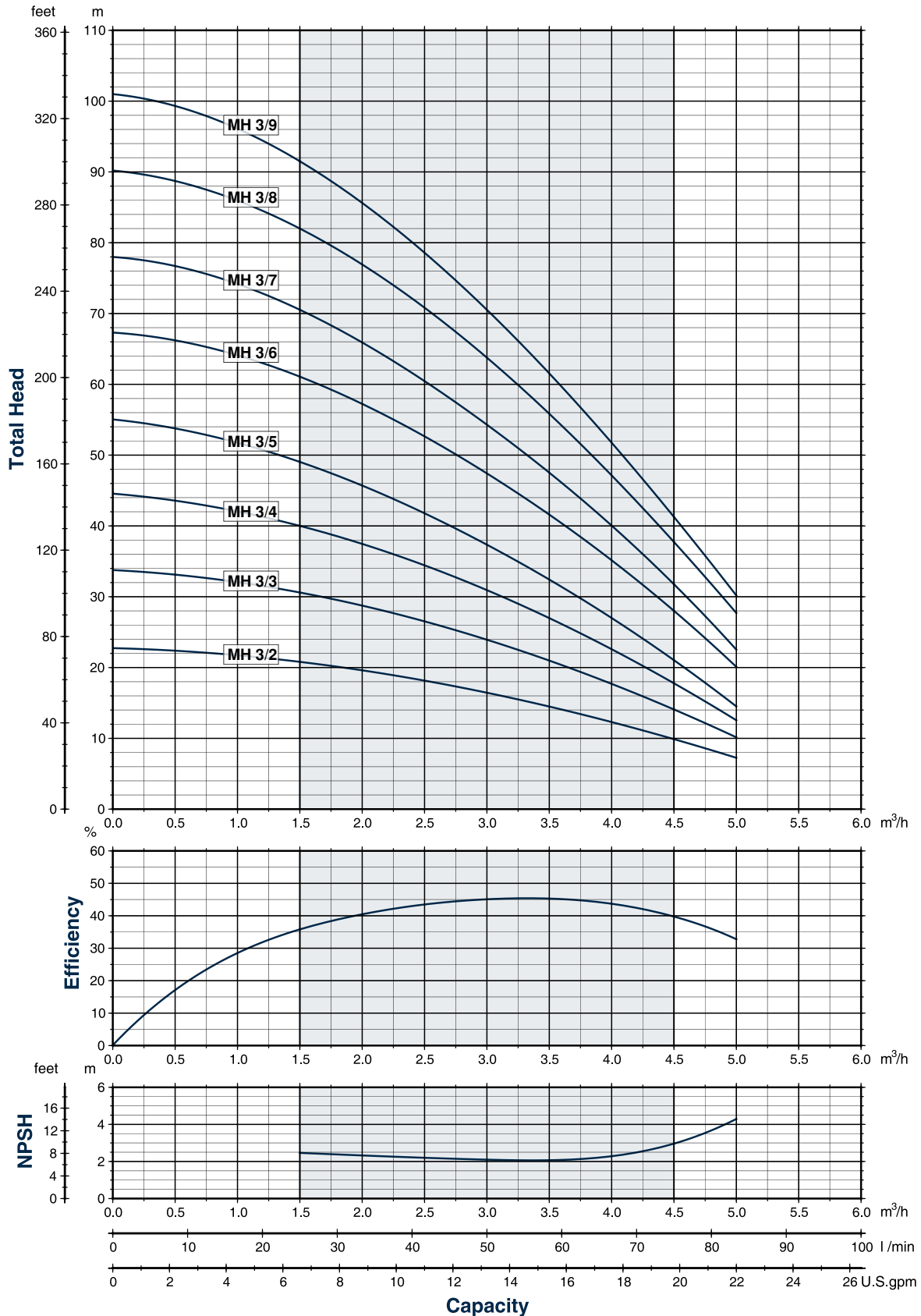
Dimensions and weights

Model No.	Order No.	Dimensions								Packaging				
		A mm	E mm	C mm	D mm	F mm	G (mm)		DN1	DN2	L mm	B mm	H mm	Weight (kg)
							1-phase	3-phase						
3AMH2B-51	3AMH2B-53	103	256	139.6	173	359	120	118	BSP 1.25"	BSP 1"	500	200	260	10.5
3AMH3B-51	3AMH3B-53	103	256	139.6	173	359	120	118			500	200	260	10.6
3AMH4B-51	3AMH4B-53	127	256	163.6	197	383	120	118			500	200	260	11.1
3AMH5B-51	3AMH5B-53	151	256	187.6	221	407	120	118			500	200	260	11.6
3AMH6B-51	3AMH6B-53	175	256	211.6	245	431	120	118			500	200	260	14.0
3AMH7B-51	3AMH7B-53	199	256	235.6	269	455	120	118			610	220	260	14.6
3AMH8B-51	3AMH8B-53	223	300	259.6	293	523	125	125			610	220	260	18.1
3AMH9B-51	3AMH8B-53	247	300	283.6	317	547	125	125			610	220	260	18.7



Horizontal Multistage Pumps

50 Hz Stainless Steel MH 3 Specifications



Horizontal Multistage Pumps

50 Hz Stainless Steel MH 5 Specifications

Technical data 50Hz

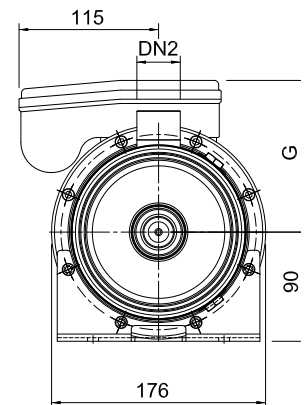
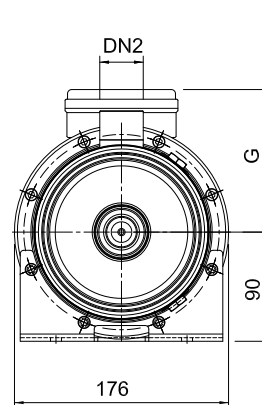
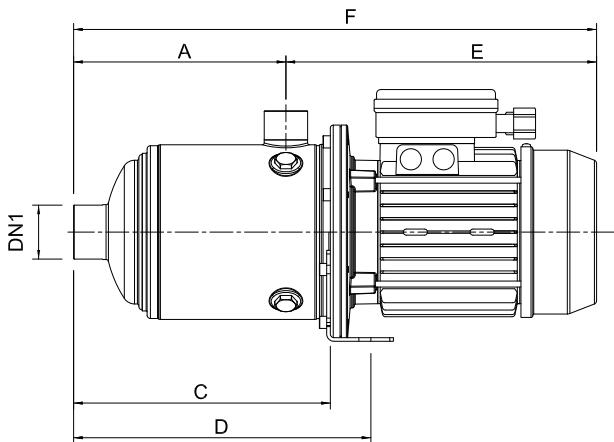
Single-phase 220-240 V 50 Hz		Three-phase 380-415 V 50 Hz		Number of Stages	Motor Power		Input Power		Internal Capacitor		Rated Current		
Model No.	Order No.	Model No.	Order No.		kW	HP	kW	μF	V	Single-phase	Three-phase		
										220-240 V 50 Hz	220-240 V 50 Hz	380-415 V 50 Hz	
5AMH2B-51	96141005102	5AMH2B-53	96141005302	2	0.45	0.6	0.58	16	450	3.0	2.6	1.5	
5AMH3B-51	96141005103	5AMH3B-53	96141005303	3	0.55	0.75	0.80	16	450	3.9	2.9	1.7	
5AMH4B-51	96141005104	5AMH4B-53	96141005304	4	0.9	1.2	1.10	30	450	5.3	4.3	2.5	
5AMH5B-51	96141005105	5AMH5B-53	96141005305	5	1.1	1.5	1.33	30	450	6.2	4.7	2.7	
5AMH6B-51	96141005106	5AMH6B-53	96141005306	6	1.3	1.8	1.56	30	450	7.3	5.7	3.3	
5AMH7B-51	96141005107	5AMH8B-53	96141005307	7	1.5	2	1.79	30	450	8.2	6.2	3.6	
5AMH8B-51	96141005108	5AMH8B-53	96141005308	8	1.5	2	2.00	30	450	8.9	6.6	3.8	
-	-	5AMH9B-53	96141005309	9	1.85	2.5	2.30	-	-	-	7.1	4.1	

Single-phase motors: 220-240 V ± 5 % / 50 Hz. Thermal protection built into the motor.

Three-phase motors: 380-415 V ± 5 % / 50 Hz. Thermal protection to be provided into the starter panel by the installer.

Dimensions and weights

Single-phase 220-240 V 50 Hz	Three-phase 380-415 V 50 Hz	Dimensions								Packaging				
Model No.	Model No.	A mm	E mm	C mm	D mm	F mm	G (mm)		DN1	DN2	L mm	B mm	H mm	Weight (kg)
							1-phase	3-phase						
5AMH2B-51	5AMH2B-53	103	256	139.6	173	359	120	118	BSP 1.25"	BSP 1"	500	200	260	10.5
5AMH3B-51	5AMH3B-53	103	256	139.6	173	359	120	118			500	200	260	10.6
5AMH4B-51	5AMH4B-53	127	256	163.6	197	383	120	118			500	200	260	13.0
5AMH5B-51	5AMH5B-53	151	256	187.6	221	407	120	118			500	200	260	13.5
5AMH6B-51	5AMH6B-53	175	300	211.6	245	475	125	125			610	220	260	17.1
5AMH7B-51	5AMH7B-53	199	300	235.6	269	499	125	125			610	220	260	17.7
5AMH8B-51	5AMH8B-53	223	300	259.6	293	523	125	125			610	220	260	18.2
-	5AMH9B-53	247	300	283.6	317	547	125	125			610	220	260	18.7

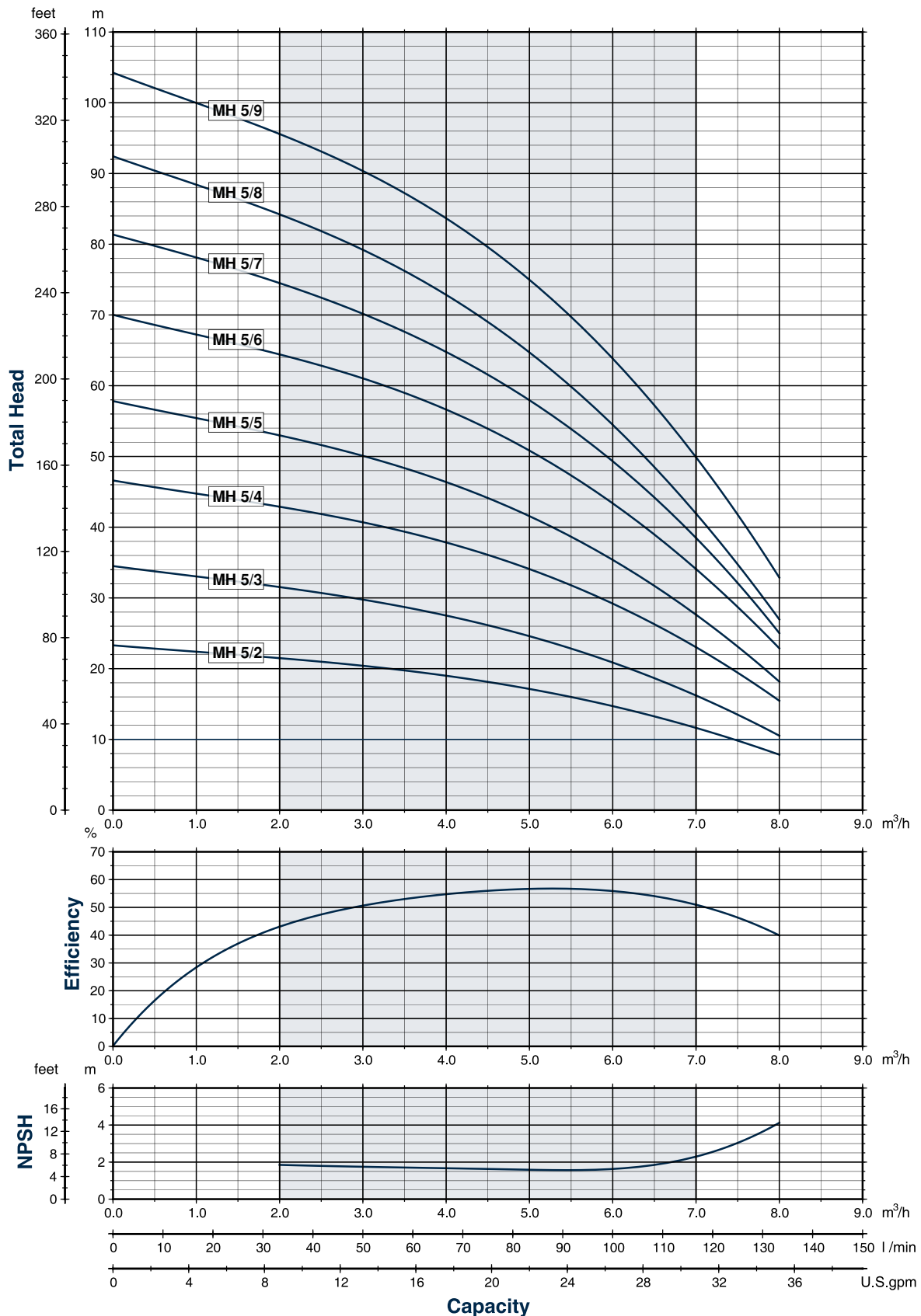


Single-phase
models



Horizontal Multistage Pumps

50 Hz Stainless Steel MH 5 Specifications



Horizontal Multistage Pumps

50 Hz Stainless Steel MH 9 Specifications

Technical data 50Hz

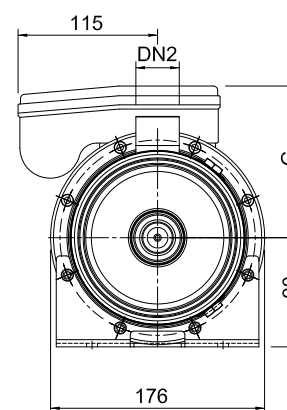
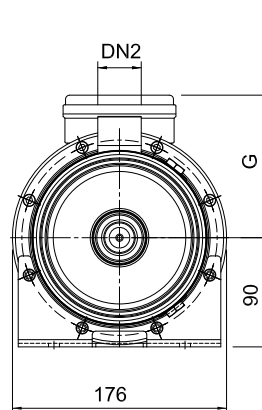
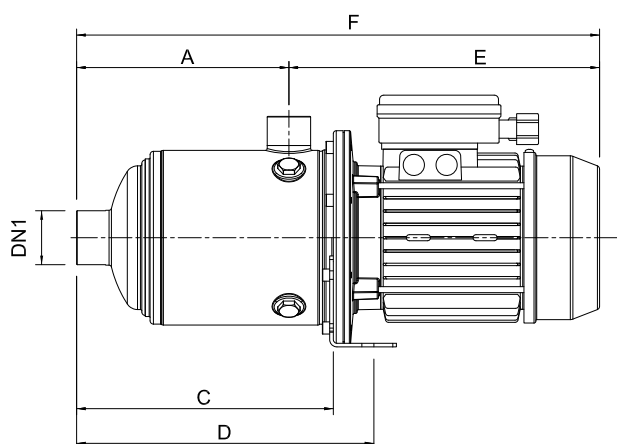
Single-phase 220-240 V 50 Hz		Three-phase 380-415V 50Hz		Number of Stages	Motor Power		Input Power		Internal Capacitor		Rated Current		
Model No.	Order No.	Model No.	Order No.		kW	HP	kW	μF	V	Single-phase 220-240 V 50 Hz	Three-phase		
											220-240 V 50 Hz	380-415 V 50 Hz	
9AMH2B-51	96141009102	9AMH2B-53	96141009302	2	0.75	1	0.90	1.6	450	4.3	3.1	1.8	
9AMH3B-51	96141009103	9AMH3B-53	96141009303	3	1.1	1.5	1.37	30	450	6.4	4.7	2.7	
9AMH4B-51	96141009104	9AMH4B-53	96141009304	4	1.5	2	1.77	30	450	8.2	6.1	3.5	
-	-	9AMH5B-53	96141009305	5	1.85	2.5	2.21	-	-	-	6.9	4.0	
-	-	9AMH6B-53	96141009306	6	2.2	3	2.61	-	-	-	7.8	4.5	

Single-phase motors: 220-240 V ± 5 % / 50 Hz. Thermal protection built into the motor.

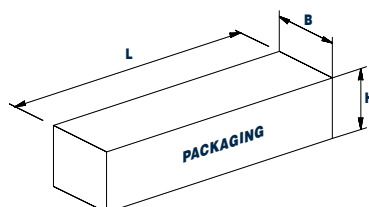
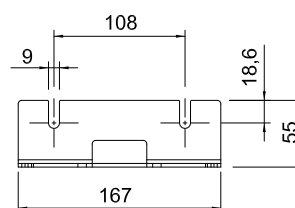
Three-phase motors: 380-415 V ± 5 % / 50 Hz. Thermal protection to be provided into the starter panel by the installer.

Dimensions and weights

Single-phase 220-240 V 50 Hz	Three-phase 380-415 V 50 Hz	Dimensions								Packaging				
Model No.	Model No.	A mm	E mm	G mm	D mm	F mm	G (mm)		DN1	DN2	L mm	B mm	H mm	Weight (kg)
							1-phase	3-phase						
9AMH2B-51	9AMH2B-53	118	260	158.6	192	378	120	118	BSP 1.5"	BSP 1.25"	500	200	260	10.8
9AMH3B-51	9AMH3B-53	118	260	158.6	192	378	120	118			500	200	260	12.8
9AMH4B-51	9AMH4B-53	148	304	188.6	222	452	125	125			610	220	260	16.5
-	9AMH5B-53	178	304	218.6	252	482	125	125			610	220	260	17.2
-	9AMH6B-53	208	304	248.6	282	512	125	125			610	220	260	17.8

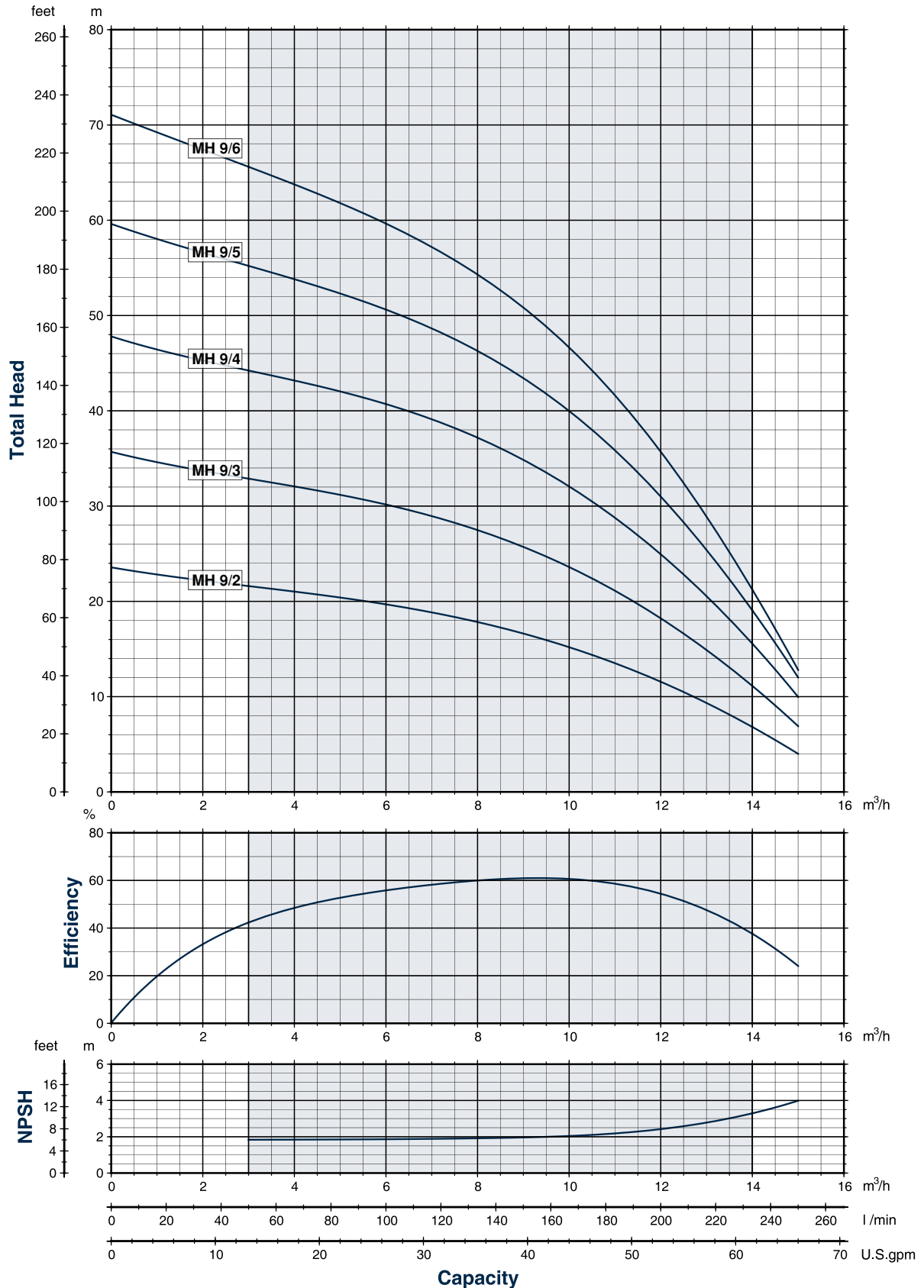


Single-phase
models



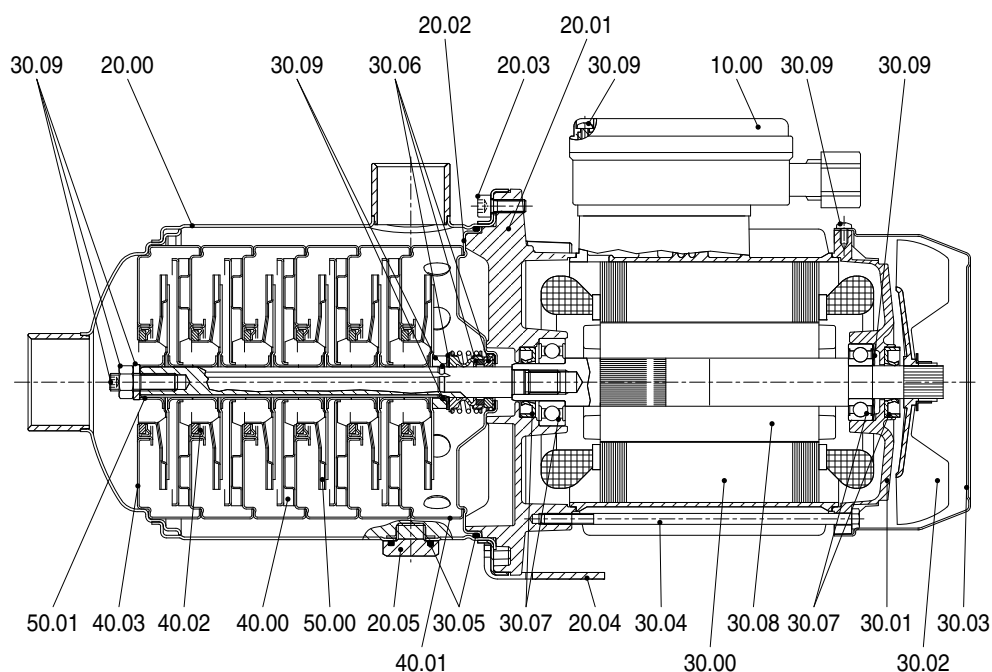
Horizontal Multistage Pumps

50 Hz Stainless Steel MH 9 Specifications



Horizontal Multistage Pumps

50 Hz Stainless Steel Materials of Construction



Ref. N.	Description
10 00	Terminal box cover
20 00	Pump casing
20 01	Motor bracket
20 02	Seal housing
20 03	Screws for pump casing
20 04	Support foot
20 05	Filling and drain plug with O-Ring (2 pcs)
30 00	Motor housing and stator
30 01	Bearing housing
30 02	Fan
30 03	Fan cover
30 04	Tie rod

Ref. N.	Description
30 05	Kit O-Rings (3 pcs)
30 06	Kit mechanical seals (3 pcs)
30 07	Kit ball bearings and lip seal (2+2pcs)
30 08	Rotor and pump shaft
30 09	Kit screws, nut and washers
40 00	Stage housing and diffuser
40 01	Last stage with holes
40 02	Floating neck ring assembly
40 03	Initial stage housing
50 00	Impeller
50 01	Impeller spacers (2 pcs)

MATERIAL IN CONTACT WITH THE LIQUID

Pos.	Parts Descriptions	Type	Material	
			Aisi	Din / En
20.00	Pump casing	Stainless steel	AISI 304	1.4301
20.02	Seal housing	Stainless steel	AISI 304	1.4301
20.05	Filling and drain plug	Stainless steel	AISI 304	1.4301
30.05	O-Ring	EPDM		
30.06	Mechanical seal	Ceramic/Carbon/EPDM		
30.08	Pump shaft	Stainless steel	AISI 304	1.4301
30.09	Screws and washers	Stainless steel	AISI 304	1.4301
40.00	Diffuser/s	Stainless steel	AISI 304	1.4301
40.01				
40.03				
50.00 50.01	Impeller/s with spacers	Stainless steel	AISI 304	1.4301



Franklin Electric

AUSTRALIA / NEW ZEALAND

Franklin Electric (Australia) Pty. Ltd.
106-110 Micro Circuit
Dandenong South, Victoria 3175
Australia

Toll Free: 1300 FRANKLIN

1300 372 655

Fax: +61 3 9799 5050

Tel: +61 3 9799 5000

www.franklin-electric.com.au

UNITED STATES

Franklin Electric Co., Inc.
400 E. Spring Street, Bluffton, IN 46714 USA
Tel: +1.260.824.2900 Fax: +1.260.824.2909