

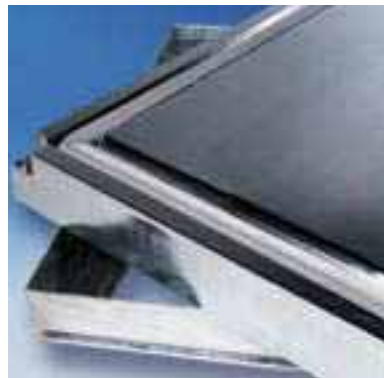
Urbanfil - Galvanised Steel Access Covers and Frames

Typical Applications

- Internal areas
- Streetscapes
- Prestige/Aesthetic projects
- Light commercial areas
- Ducting trenches
- Electrical/communications services
- Sport venues
- Bus/Rail platforms
- Shopping centres



Concrete ties provide an excellent fixing in surrounding concrete.



Polyethylene seal provides a water and gas tight seal without the need for grease.



Four high tensile steel M16 recessed socketed locking bolts per cover with plastic cap to protect from dirt ingress. Lifting bosses use standard AS 3996 lifting keys.

Decorative edge cover



Medium duty cover



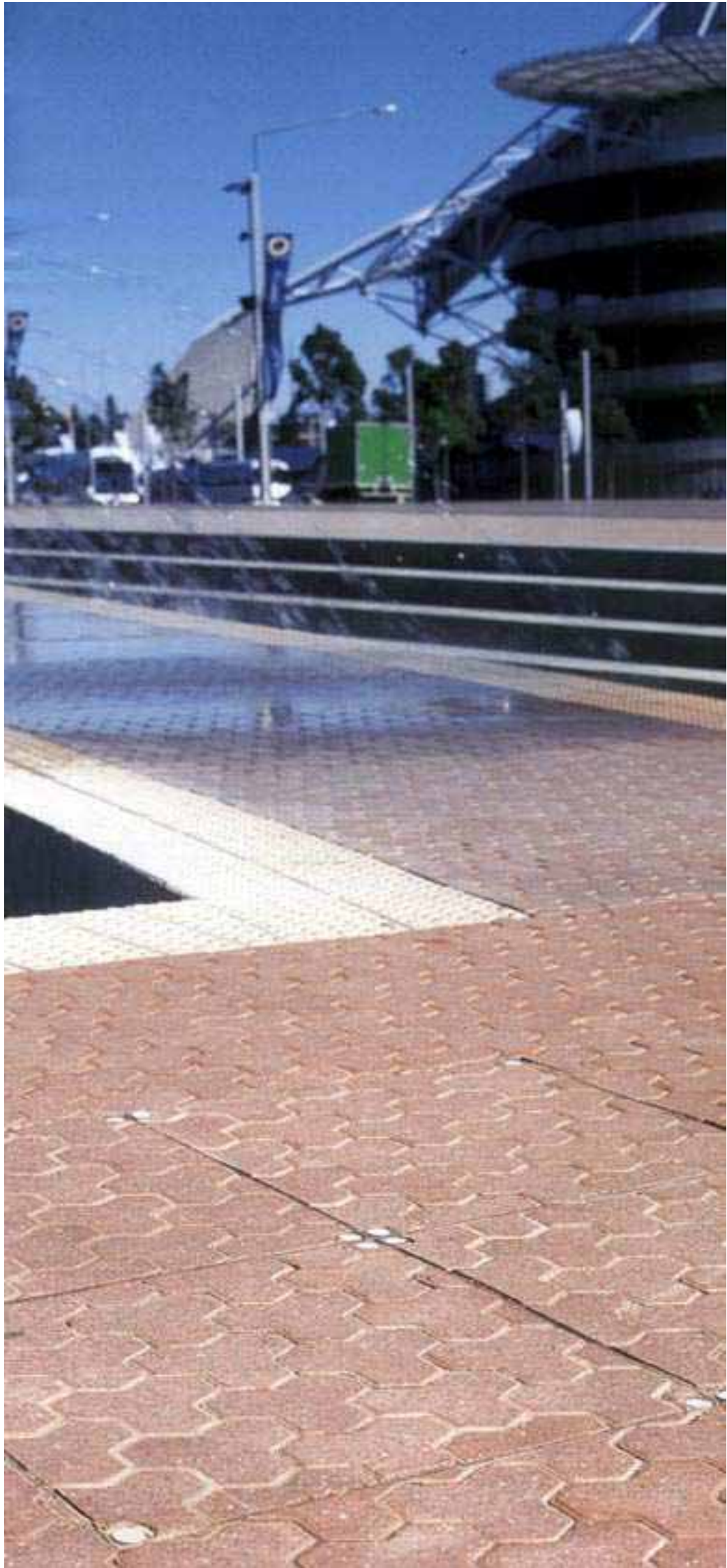
Pavermate - paver cover



Standard depth covers for use with tiles, concrete and epoxy floors; 'Pavermate' covers for use with maximum 40mm thick brick pavers. Custom sizes to order.

Product Features

- All covers are designed to meet Australian Standard AS 3996 Class A, B & C loadings
- 2mm thick steel frame and cover galvanised to AS 4680
- All covers have a polyethylene gas and water seal
- Seals odours
- Concrete ties on all frames to ensure good seating in surrounding concrete
- Four high tensile steel M16 locking bolts per cover, Barri bolts available for maximum security
- Lifting boss conforms to AS 3996 and uses Australian Standard lifting keys
- Steel reinforcing bars fixed to the base of all covers
- Frame and cover profile allows covers to be removed with a sliding action from all 4 sides
- Brass decorative edge option for superior aesthetics
- Stainless steel covers to special order - contact ACO for sizes and delivery

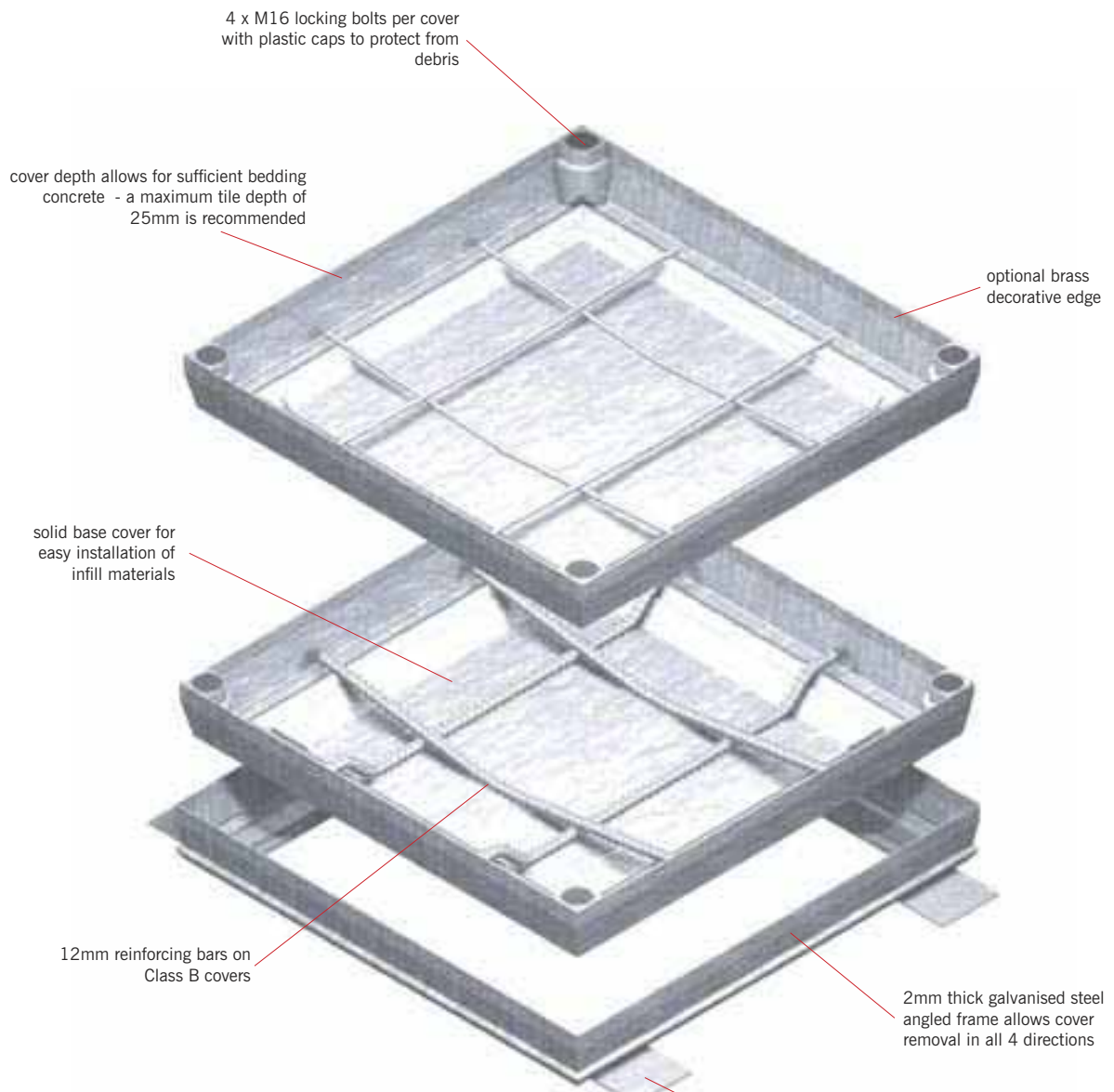


Urbanfil - Single Part Galvanised Steel Recessed, Lock and Seal Cover and Frame

Single part units can be used to provide access to underground electricity and communication enclosures, trade waste systems, valves and junction boxes.

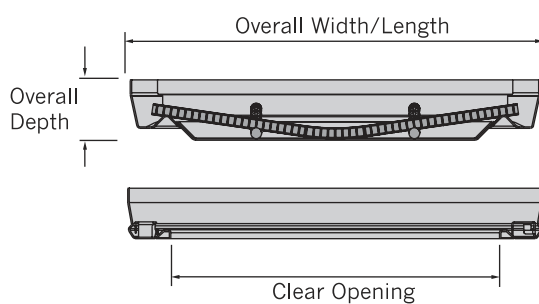
For tiled finishes, tiles should be fully restrained and bonded to the concrete bed to prevent damage to cover. An epoxy mortar is recommended.


Urbanfil covers should never be used in road applications.



Note: Urbanfil covers are to be filled with concrete to a minimum depth of 45mm. Concrete is integral to the strength of the cover. See page 42 for full details.

Class B



Type	Part No.	Clear Opening W x L (mm)	Overall W x L (mm)	Overall Depth (mm)	Cover Wgt (kg)	Overall Wgt (kg)	Decorative Edging*	Locking Option**
 Class B - AS 3996 - 80kN								
GS33C	81686	300 x 300	430 x 430	85	7.1	11.9	BE	BB
GS44C	81520	450 x 450	580 x 580	85	10.7	16.8	BE	BB
GS46C	81547	450 x 600	580 x 730	85	13.2	19.9	BE	BB
GS66C	81565	600 x 600	730 x 730	85	15.7	23.0	BE	BB
GS67C	81586	600 x 750	730 x 880	85	18.6	26.7	BE	BB
GS69C	82018	600 x 900	730 x 1030	85	20.9	29.6	BE	BB
GS77C	81601	750 x 750	880 x 880	85	21.5	30.2	BE	BB
GS94C	81661	900 x 450	1030 x 580	85	17.6	25.7	BE	BB
GS99C	81645	900 x 900	1080 x 1080	85	27.6	37.5	BE	BB

* Decorative Brass (BE) or Stainless Steel (SS) edging can be added - just specify BE or SS and height (12mm or 40mm) after part no.

** Optional security locking bolts are available for security applications - specify Barri bolts (BB) after part no.

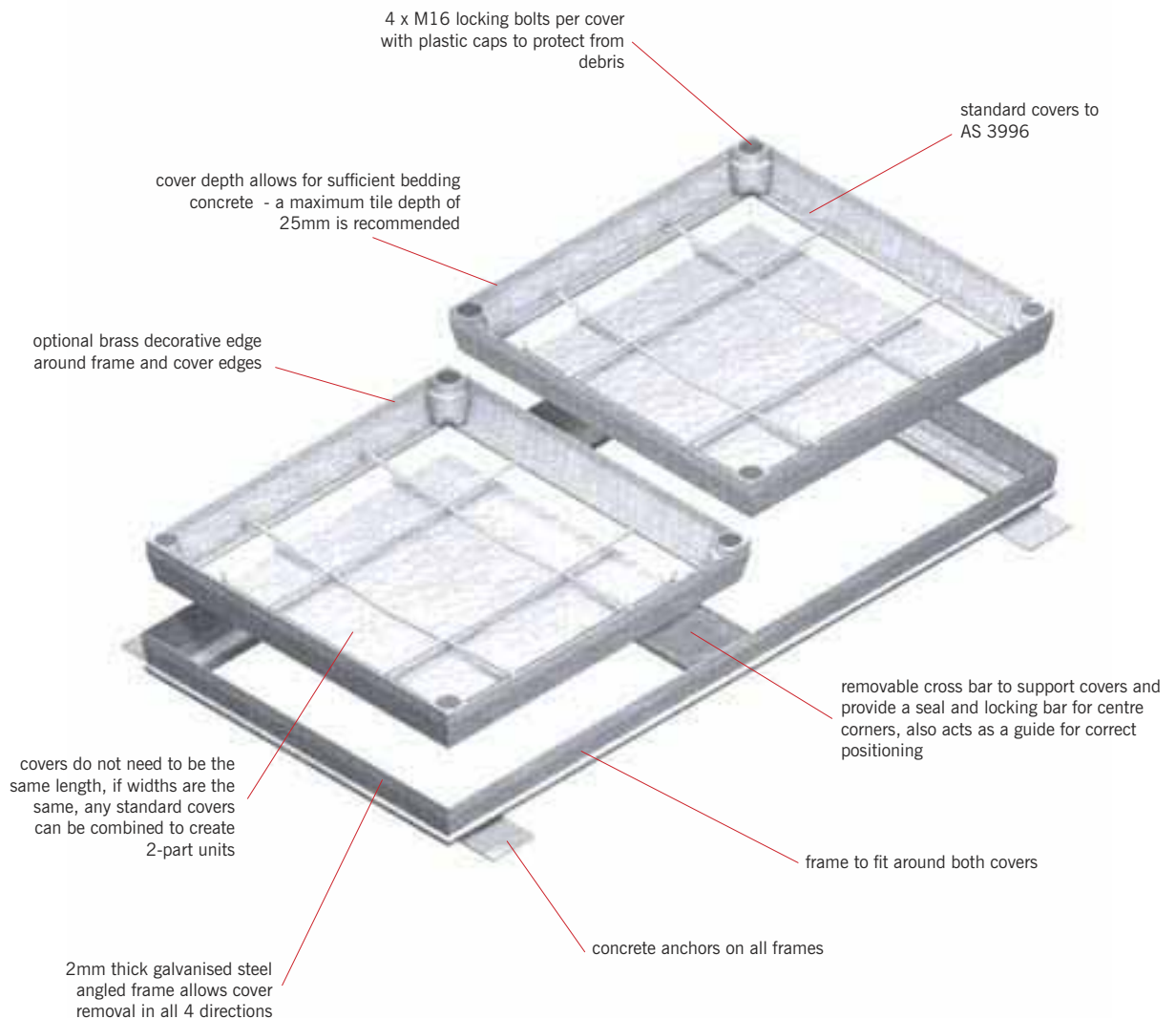
Urbanfil - 2-Part Galvanised Steel Recessed, Lock and Seal Cover and Frame

2-part units combine two standard size covers in a single run. They are used where a single part cover does not offer a large enough clear opening or if smaller individual covers are required for easier lifting.

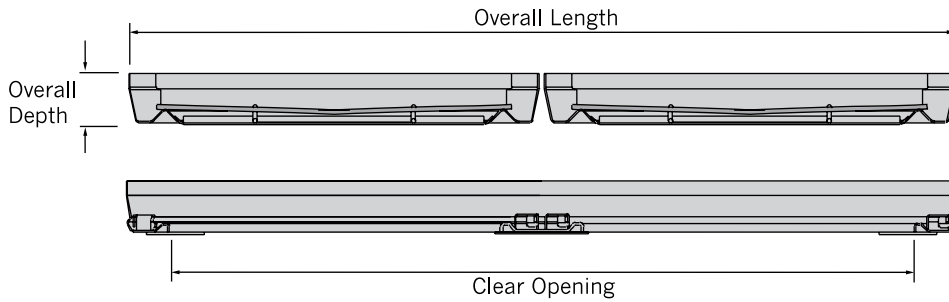
Common applications include grease traps/arrestors, electricity and communication enclosures, valves and junction boxes.


Urbanfil covers should never be used in road applications.

For tiled finishes tiles should be fully restrained and bonded to the concrete bed to prevent damage to cover. An epoxy mortar is recommended.



Note: Urbanfil covers are to be filled with concrete to a minimum depth of 45mm. Concrete is integral to the strength of the cover. See page 42 for full details.



Type	Part No.	Clear Opening W x L (mm)	Overall W x L (mm)	Overall Depth (mm)	Cover Wgt (kg)	Overall Wgt (kg)	Decorative Edging*	Locking Option**
	Class B - AS 3996 - 80kN							
GS2410C	82521	450 x 1020	580 x 1150	85	7.1/7.1	33.0	BE	BB
GS2411C	82540	450 x 1170	580 x 1300	85	7.1/10.7	36.1	BE	BB
GS2413C	82567	450 x 1320	580 x 1450	85	13.2/13.2	39.2	BE	BB
GS2610C	82585	600 x 1020	730 x 1150	85	13.2/13.2	39.2	BE	BB
GS2611C	82606	600 x 1170	730 x 1300	85	13.2/15.7	39.9	BE	BB
GS2613C	82628	600 x 1320	730 x 1450	85	15.7/15.7	45.5	BE	BB
GS2614C	82640	600 x 1470	730 x 1600	85	15.7/18.6	49.1	BE	BB
GS2616C	82665	600 x 1620	730 x 1750	85	18.6/18.6	52.0	BE	BB
GS2617C	82681	600 x 1770	730 x 1900	85	18.6/20.9	55.6	BE	BB
GS2619C	82706	600 x 1920	730 x 2050	85	20.9/20.9	58.6	BE	BB
GS2713C	82724	750 x 1320	880 x 1450	85	18.6/18.6	52.7	BE	BB
GS2714C	82745	750 x 1470	880 x 1600	85	18.6/21.6	56.3	BE	BB
GS2716C	82762	750 x 1620	880 x 1750	85	21.6/21.6	59.9	BE	BB
GS2913C	82783	900 x 1320	1030 x 1450	85	20.9/20.9	58.7	BE	BB

* Decorative Brass (BE) or Stainless Steel (SS) edging can be added - just specify BE or SS and height (12mm or 40mm) after part no.

** Optional security locking bolts are available for security applications - specify Barri bolts (BB) after part no.

Pavermate - Single Part Galvanised Steel Recessed, Lock and Seal Cover and Frame Specifically for Pavers

Single part units can be used to provide access to underground electricity and communication enclosures, valves and junction boxes.

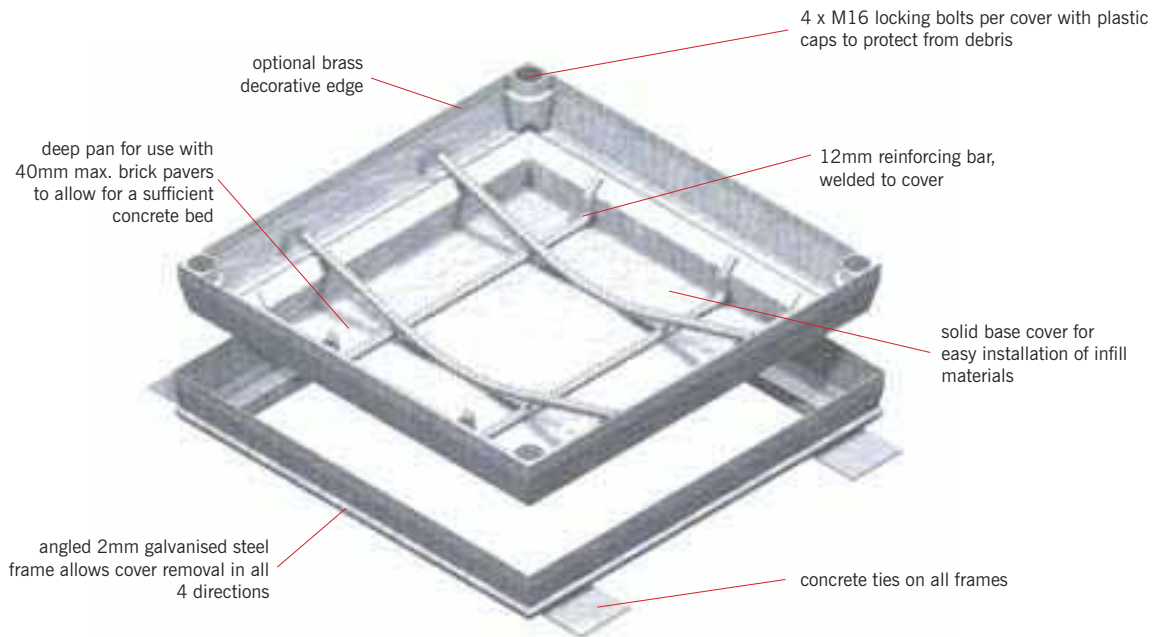
Pavermate covers should never be used in road applications.

The deep pan profile allows for sufficient bedding concrete without having to cut pavers - making installation of brick pavers quick and simple.

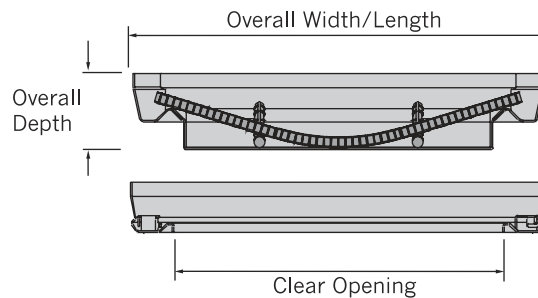
Pavers should be fully restrained and bonded to the concrete bed to prevent

damage to cover. An epoxy mortar is recommended.

The discreet edge detail is ideal for architectural solutions requiring visual continuity of the pavement.



Note: Pavermate covers are to be filled with concrete to a minimum depth of 45mm. Concrete is integral to the strength of the cover. See page 42 for full details.



Type	Part No.	Clear Opening W x L (mm)	Overall W x L (mm)	Overall Depth (mm)	Cover Wgt (kg)	Overall Wgt (kg)	Decorative Edging*	Locking Option**
Class C - AS 3996 - 150kN								
PM33C	81297	300 x 300	430 x 430	135	6.7	12.5	BE	BB
PM44C	81305	450 x 450	580 x 580	135	11.4	17.0	BE	BB
PM46C	81312	450 x 600	580 x 730	135	12.5	18.9	BE	BB
PM66C	81948	600 x 600	730 x 730	135	14.9	21.9	BE	BB
PM67C	81353	600 x 750	730 x 880	135	17.8	25.4	BE	BB
PM69C	81364	600 x 900	730 x 1030	135	20.0	28.3	BE	BB
PM77C	81372	750 x 750	880 x 880	135	20.7	28.9	BE	BB
PM94C	81338	900 x 450	1030 x 580	135	17.9	25.5	BE	BB
PM99C	81992	900 x 900	1030 x 1030	135	26.5	36.0	BE	BB

* Decorative Brass (BE) or Stainless Steel (SS) edging can be added - just specify BE or SS and height (12mm or 40mm) after part no.

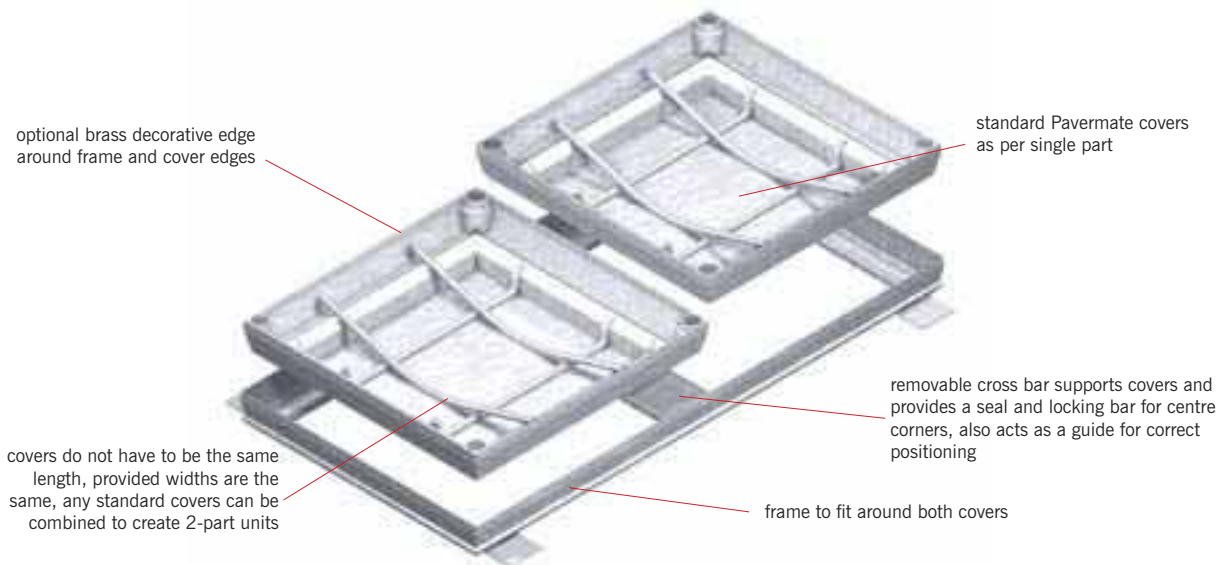
** Optional security locking bolts are available for security applications - specify Barri bolts (BB) after part no.

Pavermate - 2-Part Galvanised Steel Recessed, Lock and Seal Cover and Frame Specifically for Pavers

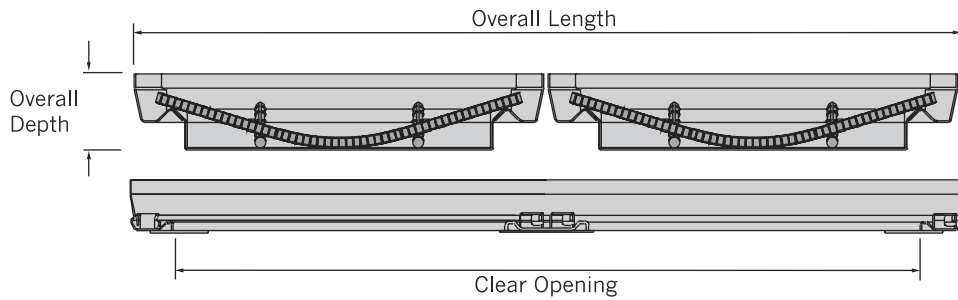
2-part units combine two standard size covers in a single run. They are used where a single part cover does not offer a large enough clear opening or if smaller individual covers are required for easier lifting.

Common applications include grease traps/arrestors, electricity and communication enclosures, valves and junction boxes. Pavermate covers should never be used in road applications. The deep pan profile allows for sufficient

bedding concrete without having to cut pavers - making installation of brick pavers quick and simple. Pavers should be fully restrained and bonded to the concrete bed to prevent damage to cover. An epoxy mortar is recommended.



Note: Pavermate covers are to be filled with concrete to a minimum depth of 45mm. Concrete is integral to the strength of the cover. See page 42 for full details.



Type	Part No.	Clear Opening W x L (mm)	Overall W x L (mm)	Overall Depth (mm)	Cover Wgt (kg)	Overall Wgt (kg)	Decorative Edging*	Locking Option**
Class C - AS 3996 - 150kN								
PM2410B	82358	450 x 1020	580 x 1150	135	11.4/11.4	33.9	BE	BB
PM2411B	82366	450 x 1170	580 x 1300	135	11.4/12.5	35.9	BE	BB
PM2413B	82373	450 x 1320	580 x 1450	135	12.5/12.5	37.9	BE	BB
PM2610B	82384	600 x 1020	730 x 1150	135	12.5/12.5	39.7	BE	BB
PM2611B	82398	600 x 1170	730 x 1300	135	12.4/14.9	39.6	BE	BB
PM2613B	82405	600 x 1320	730 x 1450	135	14.9/14.9	39.2	BE	BB
PM2614B	82417	600 x 1470	730 x 1600	135	14.9/17.8	44.7	BE	BB
PM2616B	82422	600 x 1620	730 x 1750	135	17.8/17.8	50.4	BE	BB
PM2617B	82436	600 x 1770	730 x 1900	135	17.8/20.0	57.5	BE	BB
PM2619B	82443	600 x 1920	730 x 2050	135	20.0/20.0	56.9	BE	BB
PM2713B	82450	750 x 1320	880 x 1450	135	17.8/17.8	51.1	BE	BB
PM2714B	82464	750 x 1470	880 x 1600	135	17.8/20.7	54.7	BE	BB
PM2716B	82471	750 x 1620	880 x 1750	135	20.7/20.7	58.2	BE	BB
PM2913B	82488	900 x 1320	1030 x 1450	135	17.9/17.9	55.3	BE	BB

* Decorative Brass (BE) or Stainless Steel (SS) edging can be added - just specify BE or SS and height (12mm or 40mm) after part no.

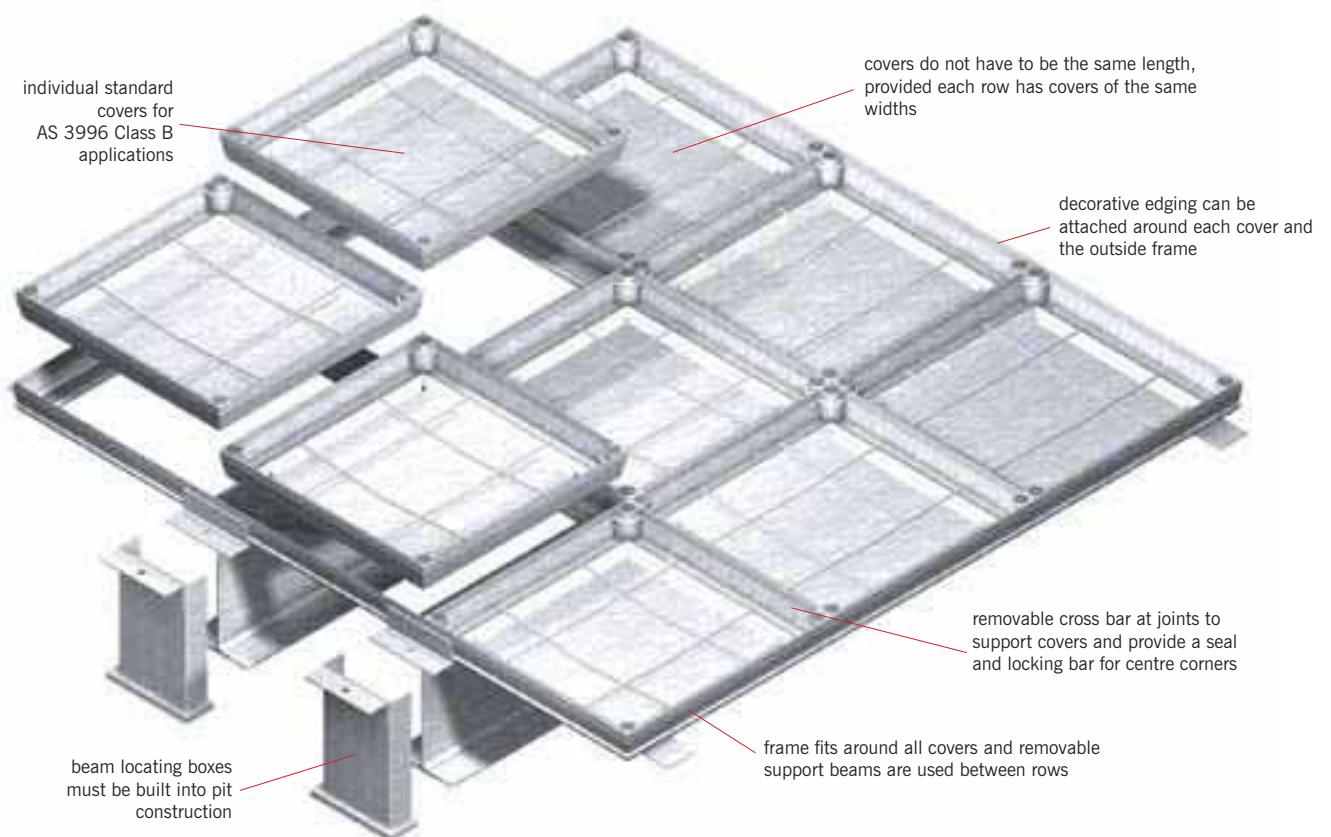
** Optional security locking bolts are available for security applications - specify Barri bolts (BB) after part no.

Urbanfil - Multi-Part Galvanised Steel Recessed, Lock and Seal Cover and Frame

Multi-part units combine standard size covers in multiple rows and lengths. They are used where a single part cover does not offer a large enough clear opening or if smaller individual covers are required for easier lifting.

Common applications include lift motor rooms, access to large industrial equipment, pump wells and transformers.

All covers, cross bars and load bearing beams can be removed for full uninterrupted access or single covers can be removed to provide access to specific areas.



Note: Urbanfil covers are to be filled with concrete to a minimum depth of 45mm. Concrete is integral to the strength of the cover. See page 42 for full details.

Multi-Part Sizes

The table on page 35 provides information on common multipart sizes and is intended as a quick reference guide.

Multi-parts are available in numerous configurations and different cover sizes can be combined to create a clear opening to suit almost any requirement.

Multi-Part Design

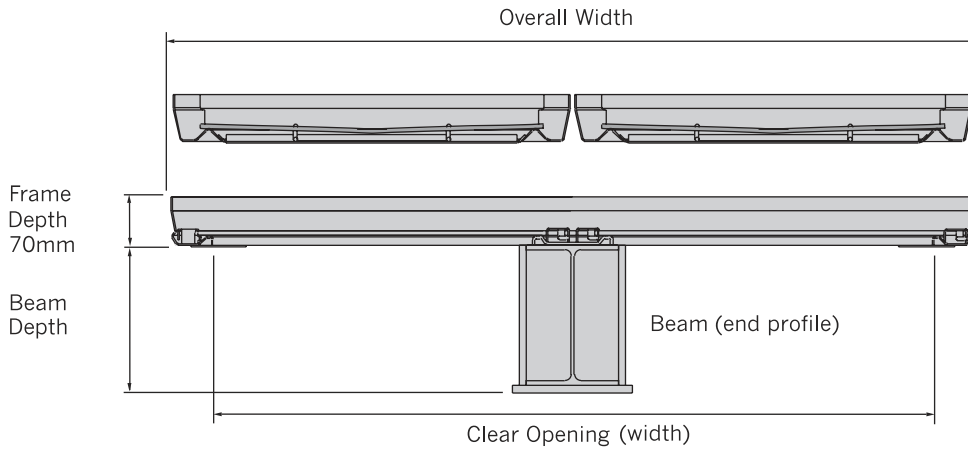
Due to the endless range of sizes available, ACO will design the multi-part closest to your requirements free of charge and obligation, simply supply the following information:

- Clear opening
- Load Class
- Any width/slab depth restrictions

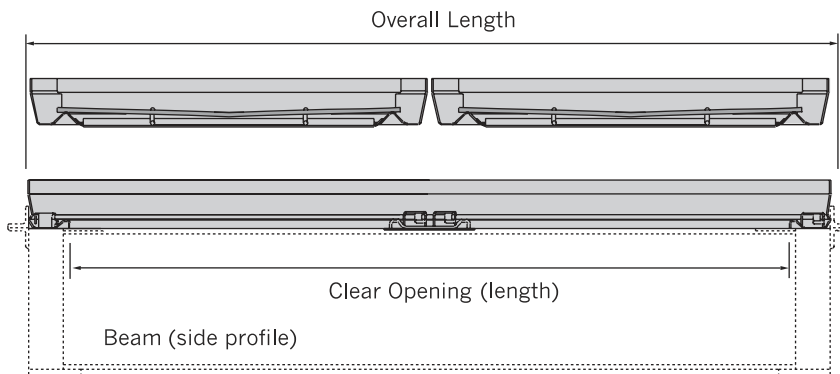
ACO will then provide:

- Actual clear opening
- Schedule of covers needed
- Rebate drawing (which is essential for correct installation)

Across the width of the Multi-Part



Across the length of the Multi-Part



Type	Part No.	Clear Opening W x L (mm)	No Parts	Covers W x L	Load Bearing Beams Required	Decorative Edging*	Locking Option**
	Class B - AS 3996 - 80kN						
GSMP1010B	83777	1020 x 1020	4-Part	2 x 2	1 x 100mm UC	BE	BB
GSMP1313B	83782	1320 x 1320	4-Part	2 x 2	1 x 100mm UC	BE	BB
GSMP1515B	83798	1590 x 1590	9-Part	3 x 3	2 x 100mm UC	BE	BB
GSMP1521B	83803	1590 x 2160	12-Part	3 x 4	2 x 150mm UC	BE	BB
GSMP1624B	83810	1620 x 2490	6-Part	2 x 3	1 x 150mm UC	BE	BB
GSMP2020B	83824	2040 x 2040	9-Part	3 x 3	2 x 150mm UC	BE	BB
GSMP2424B	83831	2490 x 2490	9-Part	3 x 3	2 x 150mm UC	BE	BB

* Decorative Brass (BE) or Stainless Steel (SS) edging can be added - just specify BE or SS and height (12mm or 40mm) after part no.

** Optional security locking bolts are available for security applications - specify Barri bolts (BB) after part no.

For other sizes please contact ACO