



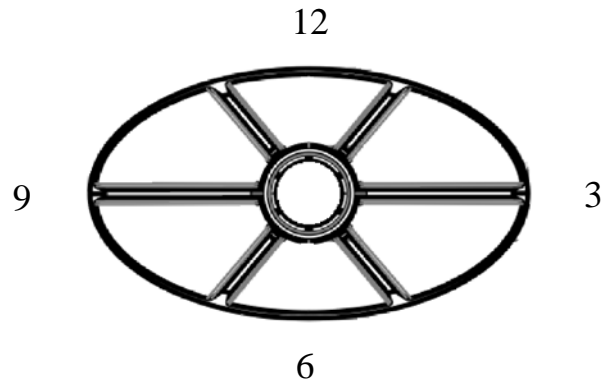
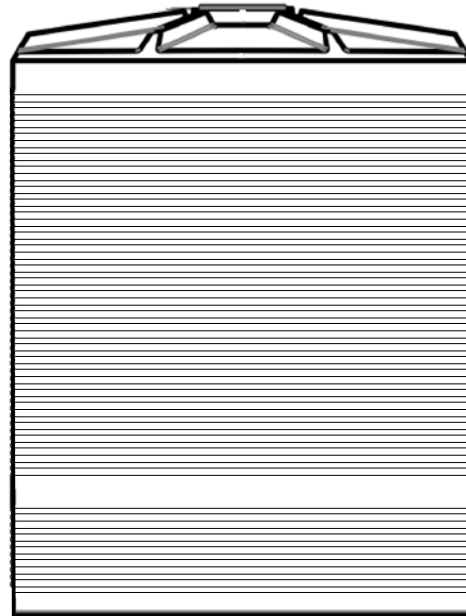
**T = TAP**

**O = OVERFLOW**

**D = DRAIN BUNG**

**FIT UP FOR 1,500 Lt (350g) SLIMLINE TANK**

Customer Name:
Colour:
Order No:
Invoice No:
Delivery Date:
<b>Customer Signature:</b>
<b>Date:</b>
Screwtop Lid <b>OR</b> Leafstrainer (Please circle)
Fittings needed:
Comments:
Salesperson:
Date:



**PLEASE RETURN FAX TO 9456 5855**

*Please complete both profiles – Thank you*