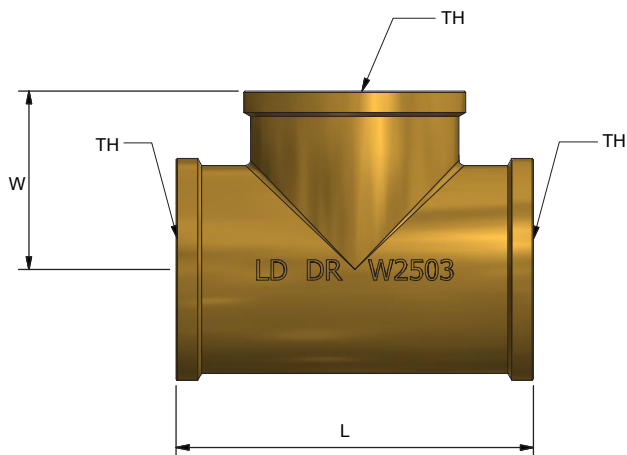


# SCREWED BRASSWARE

## TEE FI

### Product Specifications



### Specifications

Working temperature 0°C to 60°C

Max. pressure rating 1600kPa

### Sizing Chart [MM]

	L	W	TH
AW401	26	13	RP 1/8"
AW402	38	19	RP 1/4"
AW403	45	22	RP 3/8"
AW404	50	25	RP 1/2"
AW405	50	25	RP 1/2"
AW406	60	30	RP 3/4"
AW408	68	34	RP 1"
AW410	88	44	RP 1 1/4"
AW411	89	45	RP 1 1/2"
AW412	112	56	RP 2"
AW413	140	70	RP 2 1/2"

### Features

Watermark approved

DR Brass

Tested and certified to AS 3688

For more information on Metforge, contact:

Austworld 15 Activity Crescent, Molendinar, Queensland 4214 Australia

P. 1300 780 430

F. 1300 780 441

E. [info@austworld.com.au](mailto:info@austworld.com.au)

Austworld Pty Ltd. All rights reserved 2018. Austworld and Metforge are registered trade mark belonging to Austworld Pty Ltd.

