



POLY CONNECTOR UNION PE X FI

FI UNION

Specifications

- Working temperature -20°C to 60°C
- Max. pressure rating 1600kPa

Features

- DR Brass
- Watermark approved
- No disassembly required, pipe can be inserted without disassembling the fitting
- Triple lip seal
- No fidly thimbles or grab rings
- Spare parts available



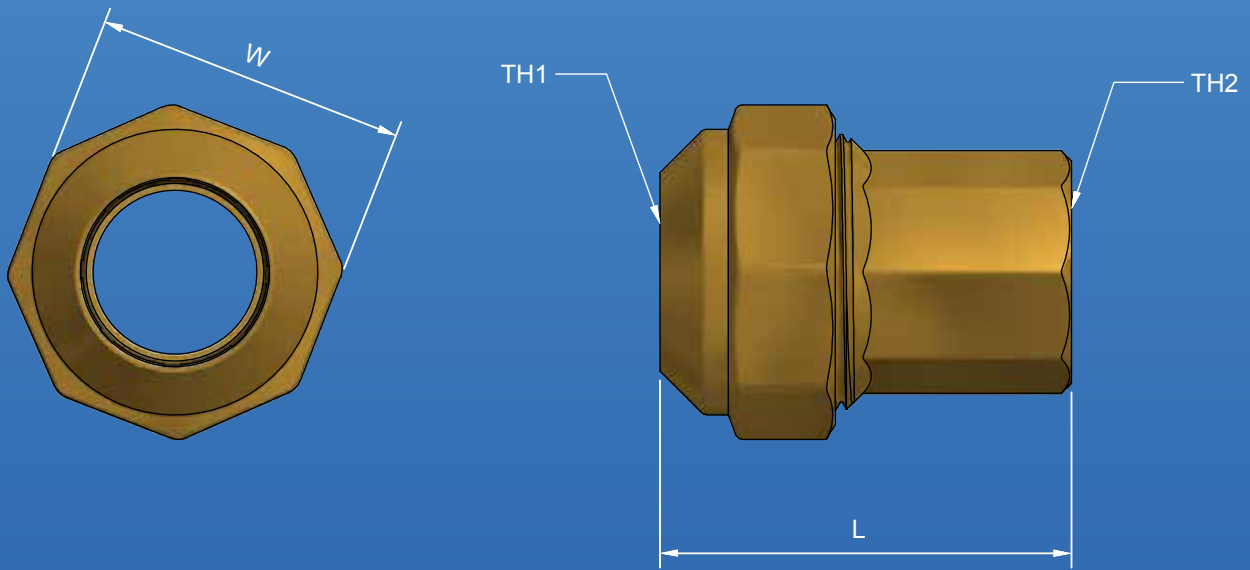
Austworld
PO Box 311
Ashmore City
QLD 4214

P: 1300 780 430
F: 1300 780 441
E: info@austworld.com.au
W: www.austworld.com.au





POLY CONNECTOR UNION PE X FI



Sizing Chart MM

	L	W	TH1	TH2
AW4205	57	43	25PE	Rp 3/4"
AW4206	60	50	32PE	Rp 1"



Austworld
PO Box 311
Ashmore City
QLD 4214

P: 1300 780 430
F: 1300 780 441
E: info@austworld.com.au
W: www.austworld.com.au

