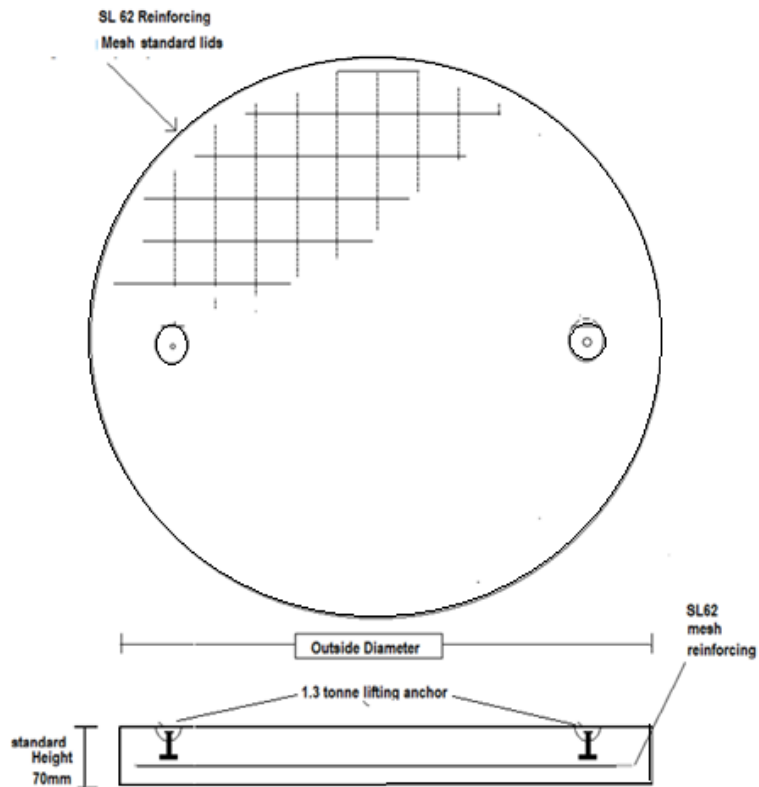


## Covers – Standard plain class A

Item No.	CONCRETE COVERS STANDARD DUTY - CLASS A
CPCS1090	Cover - 1090 Standard Duty - Class A - 203kg
CPCS1800	Cover - 1800 Standard Duty - Class A - 555kg
CPCS600	Cover - 600 Standard Duty Class A - 42kg
CPCS900	Cover - 900 Standard Duty - Class A - 101kg



**please note: Split lids will be shown in  
the Septic cover section**

## Covers – Heavy Duty Plain

Item No.	CONCRETE COVERS HEAVY DUTY CLASS C & CLASS D
CPCHD1090	Cover - 1090 Heavy Duty [ Class C 5t ] - 493KG
CPCHD1350	Cover - 1350 Heavy Duty [ Class C 5t ] - 585kg
CPCHD1500	Cover - 1500 Heavy Duty [ Class C 5t ] - 875KG
CPCHD1500C	Cover - 1500 H/D [CLASS D 8t] - 875KG [made to order]
CPCHD1800	Cover - 1800 Heavy Duty [ Class C 5t ] - 1347kg
CPCHD1800CLD	Cover - 1800 H/D [Class D 8t] - 1347kg [made to order]
CPCHD900	Cover - 900 Heavy Duty [ Class C 5t ] - 347KG

