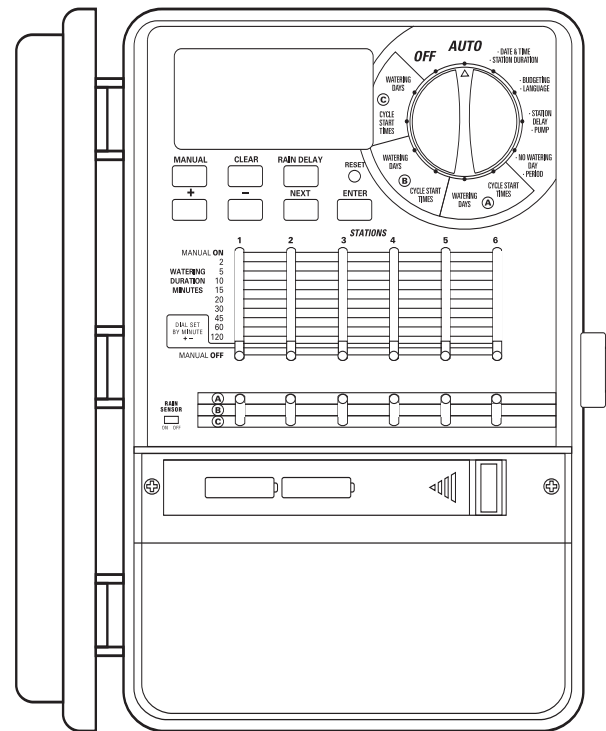




INSTALLATION MANUAL/USER'S MANUAL

Sprinkler Timers by Orbit®

MANUAL DE INSTALACIÓN / MANUAL DEL USUARIO
Controladores para sistemas de aspersión Orbit®



MODELS:

57004, 57006, 57008, 57012, 57122, 57254, 57256, 57258, 57252,
57292, 57294, 57296, 57606, 57332, 57344, 57346, 57348, 57342,
57334, 57336, 57338, 57298, 57392, 57396, 57384, 57386, 57388,
57382, 91024, 91026, 91028, 91016, 91012, 94004, 94006, 94008,
94002, 94024, 94026, 94028, 94022

Table of Contents

ENGLISH

- Introduction 2
- Getting Started 3
- Programming 5
- Automatic Operation and Commonly Used Functions 9
- Manual Operation 10
- Additional Features 12
- Installation of Indoor Mount Sprinkler Timer 14
- Wiring Valves, Sprinkler Timer, Pump Start and Master Valve 15
- Diagnostics Circuit Breaker 17
- Trouble Shooting 18
- Glossary of Terms 19
- Appendix A: Installation of Outdoor Mount Sprinkler Timer 20
- Appendix B: Rain Sensor and Terminals and Bypass Switch 23

ESPAÑOL

- Introducción 24
- Inicio 25
- Programación 27
- Operación automática y funciones de uso común 31
- Operación manual 32
- Funciones adicionales 34
- Instalación del programador de riego en interiores 36
- Conexión de válvulas, programador de riego, inicio con bomba y válvulas maestras 37
- Diagnósticos del interruptor de circuito 39
- Solución de problemas 40
- Glosario de términos 41
- Apéndice A: Instalación del programador de riego en interiores y exteriores 42
- Apéndice B: Sensor de lluvia y conmutador de derivación del sensor de lluvia 45

Section 1: Introduction

Thank you for selecting an Orbit® sprinkler timer. Orbit® designers have combined the simplicity of slide switches with the accuracy of digital electronics, giving you a sprinkler timer that is both easy to program and extremely versatile.

Please read the manual completely before you install or use this sprinkler timer.

To assist you we have included some notable features to this manual.

1. Glossary of the most common terms (see page 19)
2. **Blue Text** relates to the buttons used for programming
3. **Blue Underlined Text** relates to stop positions for both rotary dial and slide switches.

Controls Commonly Used

A Digital Display with Text Messaging

A large LCD (Liquid Crystal Display) shows the time of day and indicates many of the programming settings. Interactive text messaging simplifies programming and current sprinkler timer status.

B Programming Buttons

These 7 buttons are used for programming and other operations.

C Rotary Dial

This dial is used for programming, reviewing and operating the sprinkler timer.

D Slide Switches – Watering Duration

The vertical slide switches permit the following functions:

1. To set the watering duration for each station
2. To manually run an individual station
3. “Dial Set by Minute” – Permits 1 minute increment time settings, using the + or - buttons.

E Program Slide Switches

The program slide switches allows the user to switch to one of three programs A, B or C.

F Rain Delay

This button also acts as a shift key for the rotary dial stop positions in purple.

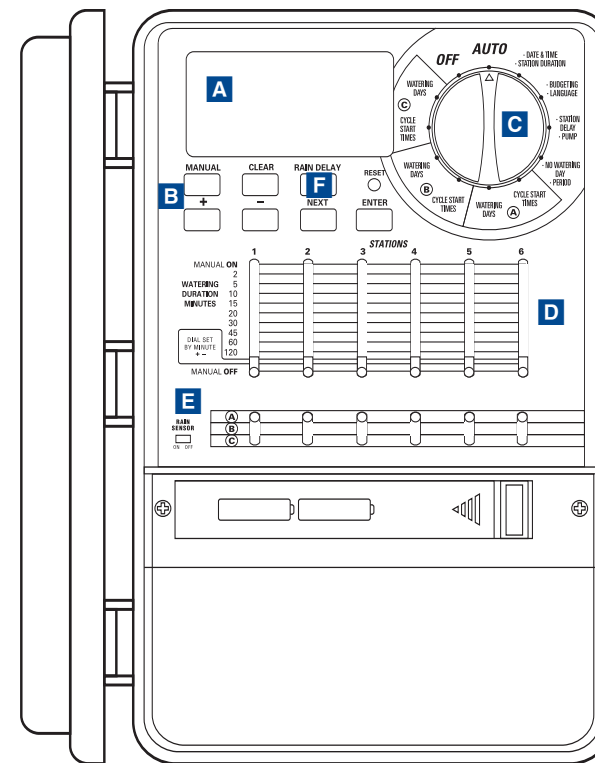


Figure 1: Front view of sprinkler timer

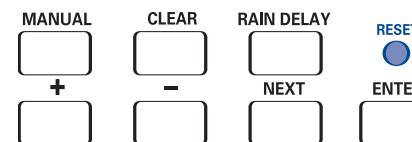


Figure 2: Programming Keys

Section 2: Getting Started

Programming the sprinkler timer can be accomplished in just a few basic steps. Before you begin programming, it is important to:

- Install the batteries
- Reset the sprinkler timer
- Select the preferred language
- Set the time of day and date
- Determine a watering plan.

Installing the Batteries

This sprinkler timer requires two AA alkaline batteries to store the program in memory during AC power loss. Fully charged batteries should provide sufficient power for approximately one year of protection. Annual battery replacement is recommended.

- Slide the battery cover to the left [See Figure 1]
- Insert two AA alkaline batteries
- Replace the battery cover

Weak or missing batteries can cause the time, date, and program to be erased after a power failure. If this happens, you will need to install fully charged batteries and reprogram the sprinkler timer.

Note: Batteries only retain the program in memory. They will not operate the valves in your sprinkling system.

Resetting the Sprinkler Timer

If this is the first time the sprinkler timer has been programmed, you should press the small recessed button labeled **RESET**. Pressing reset does not affect the factory installed fail-safe program. [See Figure 2]

Do not press the reset button again unless you want to completely remove all your programming.

Select the Preferred Language

The language of the LCD display can be set for English, Spanish and French.

1. Turn the rotary dial to **Language** position.
2. Press the **RAIN DELAY** button once.
3. Press the **NEXT** button until you reach the desired language [See Figure 3]
4. Press **ENTER** to confirm your selection.
5. Press the **RAIN DELAY** button or turn the rotary dial to exit this mode.

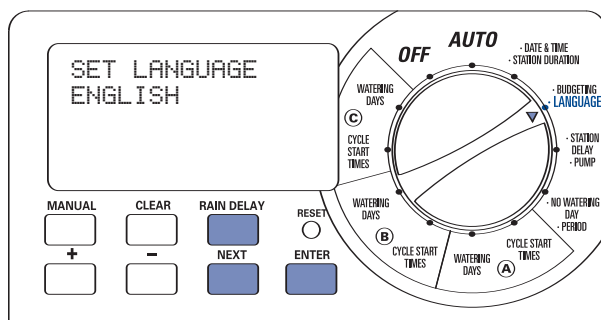


Figure 3: LCD Display Language Selection

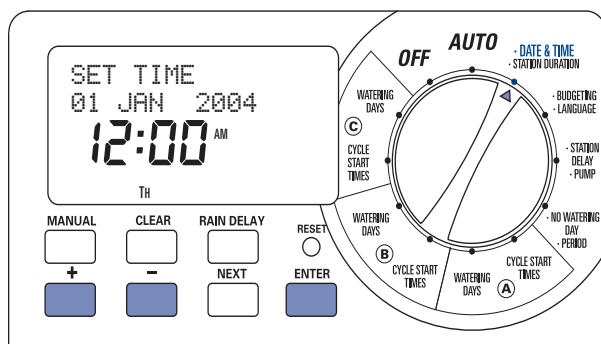


Figure 4: LCD Display Setting Time

Set the Time of Day and Date

Turn the rotary dial to the **DATE & TIME** position. [See Figure 4]

- Press and hold the **+** button to advance the clock to the correct time of day. Use the **-** button to go in reverse. When the correct time of day is reached, press the **ENTER** button to lock in the time.
- Press the **+** and **-** buttons to set the correct year, then press **ENTER**.
- Press the **+** and **-** buttons to set the correct month, then press **ENTER**.
- Press the **+** and **-** buttons to set the correct date, then press **ENTER**.

The display will show the correct time and date.

Caution: If a watering schedule is not entered into the sprinkler timer, the factory installed fail-safe program will turn on each station every day at 5:00am for 10 minutes. To avoid accidental watering, either turn the rotary switch to **OFF** or enter a watering schedule.

Determine a Watering Plan

To help you visualize how best to program the sprinkler timer, it might be helpful to make a watering plan on paper. This will help you establish which days and times you want to water.

1. For each station (or valve) write down the watering location, the type of sprinkler head and the plants to be watered.
2. Using this list, determine the recommended watering duration (for each type of sprinkler head and the vegetation to be watered) and frequency for each station.

Important: Identify any imposed watering restrictions through your local water district.

3. Determine, based on step 2, the ideal watering option for each station (Days of Week, Watering Interval or Odd/Even Days).

Based on the above information your water program may look like this:

Station	Program	Watering Option	Days	Start Time	Duration Minutes	Location	Sprinkler	Plants
1	A	Days of Week	M, W, Sat	5:00 AM	15 min	Front Strip	Spray Heads	Grass
2	A	Days of Week	M, W, Sat		15 min	Front, North	Spray Heads	Grass
3	A	Days of Week	M, W, Sat		15 min	Front, South	Spray Heads	Grass
4	B	Odd/Even	Every other day	6:45 AM	30 min	Back, North	Gear Drive	Grass
5	B	Odd/Even	Every other day		30 min	Back, South	Gear Drive	Grass
6	C	Interval	Every 5 days	9:00 PM	30 min	Front	Shrub Head	Shrubs and Flowers

Take the information above and record your water plan on the supplied label and place it on the inside of your timer.

Section 3: Programming

This sprinkler timer allows the flexibility of using 3 separate programs A, B, and C. You may program one or all based on your watering needs.

1. Start Times for Program A, B, or C

Note: The cycle start time is the time the program begins watering the first station. Cycle start times do not correspond to specific stations. If you enter more than one cycle start time, all stations programmed to operate will water again (in sequence).

The way you set the cycle start time is the same for all programs. To set the cycle start times for each program you will be using, do the following:

- Turn the rotary selector to the **CYCLE START TIMES** position in the program that you want to set up. The display will show an A or B or C depending on which program you have selected. [See Figure 5]

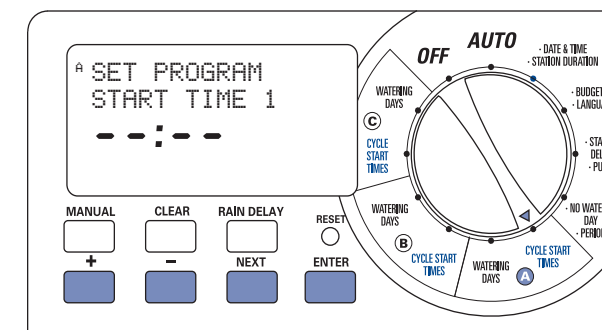


Figure 5: Setting start time

- Set the time you want to begin watering for cycle start time 1 using the **+** or **-** buttons, then press the **ENTER** button. For additional cycle start times, simply press **NEXT** to advance to the next cycle start time and repeat this procedure by using the **+** and **-** buttons to enter the time and then press **ENTER**.

Important: Additional start times will repeat the watering program. Generally, only one cycle start time is required for each program (A, B, or C).

Note: You cannot set a cycle start time for each station. Stations can be assigned to either Program A or B or C. Each program can have up to four cycle start times. Stations assigned to a program will turn on sequentially according to the cycle start times assigned.

2. Selecting the Watering Frequency in Programs A, B, or C

This sprinkler timer will allow you to select watering frequency based on “Day(s) of the Week”, “Intervals” (1 to 32 days), or “Odd or Even Days”. All of these options are available to use in programs A, B and C.

By turning the dial to **WATERING DAYS** (in program A, B or C) the LCD displays the 3 watering options. [See Figure 6]

- Mo Tu We Th Fr Sa Su** applies to **Day(s) of Week** watering option
- Odd Even** applies to the **Odd or Even** watering option
- Interval** applies to the **Interval** watering option

“DAY(S) OF WEEK” WATERING OPTION

The Day(s) of Week option allows you to select specific days of the week to water (e.g. Monday, Wednesday and Saturday).

To set Day(s) of Week Option:

- Turn the rotary dial to **WATERING DAYS** in A, B, or C.
- Press **NEXT** until the desired day of the week flashes. Press **ENTER** to select that day. Day(s) selected will have a water drop icon ☼ over the day of week. Continue until all the desired days are selected. [See Figure 7]

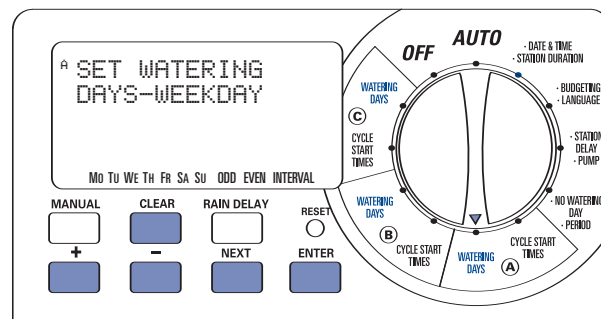


Figure 6: Selecting Watering Days

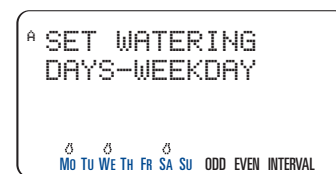


Figure 7: Selecting “Days of Week”

Important: ODD, EVEN, INTERVAL do not apply to Day(s) of Week watering option

- To delete a day, previously selected, press the **NEXT** key until the day flashes and press the **CLEAR** button to deselect the day.

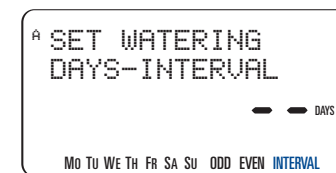


Figure 8: Selecting “Interval Watering”

“INTERVAL” WATERING OPTION

Interval watering is used to water at an interval from 1 to 32 days. An interval of 1 will water every day; an interval of 2 will water every other day, etc.

To set the watering “Interval”:

- Turn the rotary dial to **WATERING DAYS** in A, B, or C.
- Press **NEXT** until "interval" flashes on the display. [See Figure 8]
- Select the “INTERVAL” by pressing the **+** or **-** buttons to the desired interval number and press **ENTER**.
- To remove a previous set interval, continue to press the **NEXT** button until “INTERVAL” flashes (in the lower right corner) and press **CLEAR**. Enter a new interval or continue to press the **NEXT** button to select a different watering option.

“ODD OR EVEN” WATERING OPTION

The sprinkler timer can be selected to only water on Odd days or Even days. The odd/even schedule is based on the date. You can also choose to water on odd or even days with spaced intervals.

Example: If you select Odd days with an interval of 2. The program will water every other odd day (or every 4 days)

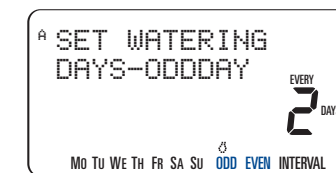


Figure 9: Selecting “Odd/Even Watering”

To set watering for ODD Days:

- Turn the rotary dial to **WATERING DAYS** in A, B, or C.
- Press **NEXT** until "ODD" flashes on the display. If you wish to water every odd day, press **ENTER** to confirm the programming. [See Figure 9]
- If you wish to water on odd days but less frequently than every other day, press **+** or **-** to set the interval from 1 through 5 for watering.
- Press **ENTER** to save.

To set watering for Even Days proceed with the above steps but select “EVEN” on the display.

Note: The sprinkler timer will NOT water on the first day the program is entered or modified if the start time(s) have already passed.

3. Set Watering Durations

This sprinkler timer allows 2 ways to set water duration for each station.

SLIDE SWITCH

- Slide each **Water Duration Slide Switch** to its desired time (from 2 to 120 minutes) for each station. [See Figure 10]

DIAL SET BY MINUTE

A watering duration can be set in one minute increments. To do so you must use the Dial Set by Minute function. The "Dial Set by Minute" station duration can be set for each individual station.

- Slide the **Watering Duration Slide Switch** to the **DIAL SET BY MINUTE** position (indicated by the solid white bar) for each station. [See Figure 11]
- Turn dial to the **STATION DURATION**.
- Press **RAIN DELAY** button to access the Station Duration function.
- The LCD will allow you to set the watering duration for station 1.
- Using the **+** or **-** enter the watering duration for station 1 and press **ENTER** to save.
- Proceed and enter watering durations for the remaining stations.
- To delete the water duration for a station, press **ENTER** until the station appears in the LCD then press **CLEAR**.

Important: If the slide switch is not in the "Dial Set By Minute" position, the timer will not use the entered duration.

Note: The watering duration setting will be used by programs A, B and C. You cannot enter different watering durations for program A, B and C.

TIP:

- To inactivate a station, move the slide switch to the **MANUAL OFF** position.

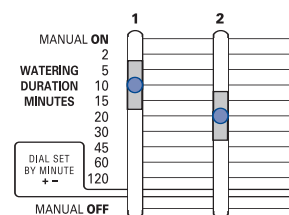


Figure 10: "Slide Switch durations" set at 10 minutes and 20 minutes

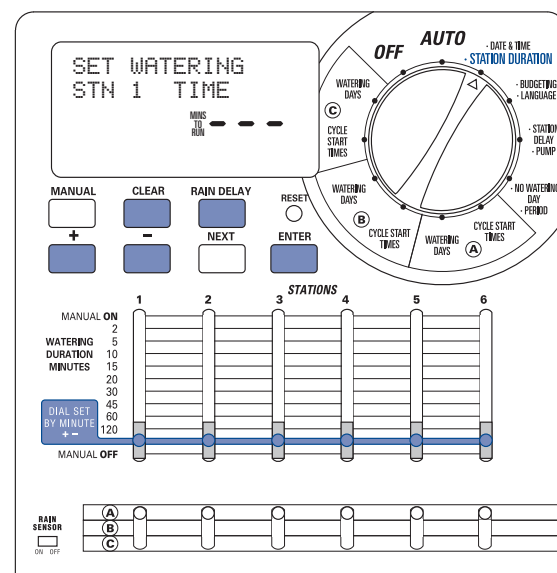


Figure 11: "Dial Set by Minute"

PROGRAM SLIDE SWITCHES

The **Program Slide Switches** allow you to select a program (A, B or C) for individual stations. [See Figure 12]

Using information collected in "Establishing a Water Plan" on page 5, select program "A", "B" or "C" for each station.

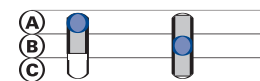


Figure 12: "Program Slide Switches" set on program A and B

REVIEWING AND CHANGING YOUR PROGRAM

The Orbit® sprinkler timer allows an easy to review watering plan. For example, to review Program "A" watering cycle start times, simply turn the rotary selector to the **CYCLE START TIMES** position in Program "A" and check the times that have been entered. Using the **NEXT** button, you can advance through the schedule without fear of disturbing any programming.

If you want to change the cycle start times, watering days, or watering intervals, simply follow the directions for that program modification.

After reviewing or changing a watering schedule, remember to turn the rotary selector back to **AUTO** if you want the sprinkler timer to automatically follow your plan.

Section 4: Automatic Operation and Commonly Used Features

Caution: This appliance is not intended for use by young children or infirm persons without supervision. Young children should be supervised to ensure that they do not play with the appliance.

Ready for Automatic Operation

After programming is complete, turn the rotary selector to **AUTO**. The sprinkler timer is now fully programmed and ready to use in the automatic mode. In automatic mode, each station will operate sequentially, starting with Program A.

IMPORTANT: This timer contains a Rain Sensor Bypass Switch. If the rain sensor switch is in the "on" position and no sensor is connected the sprinkler timer will not operate.

Station Advance

When the sprinkler timer is operating, press **NEXT** to end watering at the current station and move on to the next station.

Timer Off

Turn the Rotary Dial to the **OFF** position. This prevents the sprinkler timer from watering in Automatic and Manual modes.

Rain Delay

Rain delay allows you to delay your sprinkler timer from watering for a set period of time. Delay settings are 24, 48, and 72 hours and from 4-99 days.

ACTIVATE THE "RAIN DELAY" FUNCTION:

- Ensure the rotary selector is on the **AUTO** position
- Press the **RAIN DELAY** button to automatically delay watering for 24 hours. [See Figure 13]
- If a longer Rain Delay is desired, use the **+** or **-** button to increase or decrease the setting.
- Press **ENTER** or wait 30 seconds and the selected Rain Delay will begin.
- The **CLEAR** button stops the Rain Delay and scheduled watering will resume.

At the end of the selected Rain Delay amount of time, automatic watering resumes.

Note: Manual watering will override Rain Delay. When manual watering is complete, the Rain Delay will resume.

While in rain delay mode, the sprinkler timer will display the remaining hours. No other buttons, besides **CLEAR**, will be accepted while the sprinkler timer is in the rain delay mode.

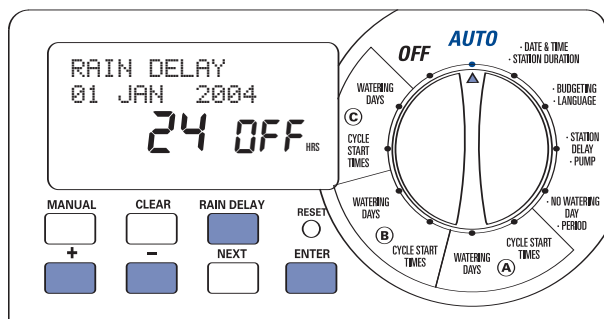


Figure 13: "Rain Delay" set for 24 hours

Water Budgeting

Water Budgeting is a simple way to adjust your watering duration to match seasonal watering needs. Water Budgeting works by increasing or decreasing watering duration for all stations in all programs. Adjustment range is from 20% to 200% by increments of 10%. The default value is 100%.

TO SET BUDGETING:

1. Turn rotary dial to **BUDGETING** position [See Figure 14]
2. To increase or decrease the percentage, press the **+** or **-** button.
3. Press **ENTER** to save setting.

Section 5: Manual Operation

The Orbit® sprinkler timer allows you 2 options to operate your sprinklers manually.

Single station

Multiple stations

Note: If a manual operation is started during an automatic program cycle, the automatic program cycle will be cancelled.

Single Station

This option is most commonly used for testing a specific station or for additional watering of a specific station. Manual operation is accomplished by using the **Watering Duration Slide Switches**.

Important: Only one station will be active at a time. The last station set to the **MANUAL ON** position will be active (watering).

SINGLE STATION—WITHOUT WATERING DURATION

1. Ensure the rotary selector is on the **AUTO** position.
2. To activate the station, move the station **Watering Duration Slide Switch** to the **MANUAL ON** position (fully up). The display will indicate "MANUAL ON" and the station number being activated. [See Figure 15]
3. To turn off manual watering, move the **Watering Duration Slide Switch** to the **MANUAL OFF** position.
4. Remember to return the **Watering Duration Slide Switch** to the Watering Duration previously set for automatic operation.

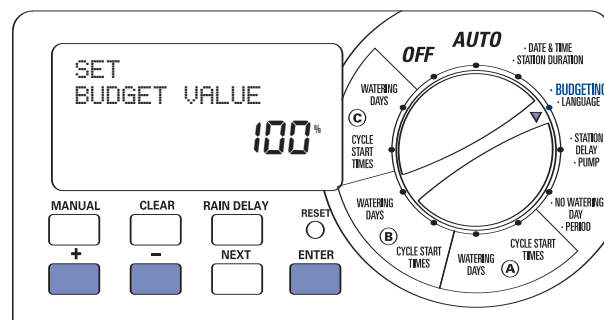


Figure 14: Set "Water Budgeting"

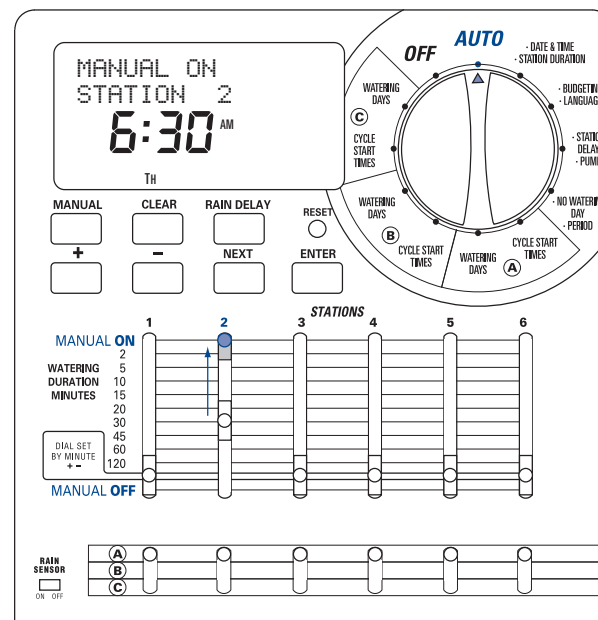


Figure 15: Manual Watering One Station

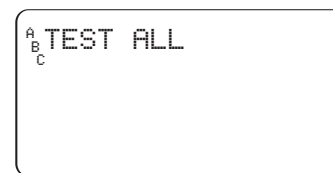


Figure 16: Display – "Test Cycle" selected

SINGLE STATION—WITH WATERING DURATION

1. Follow steps 1 and 2 above.
2. Move the station **Watering Duration Slide Switch** to the desired watering duration.
3. When watering is complete, return the **Watering Duration Slide Switch** to the Watering Duration previously set for automatic operation.

Multiple Stations

This option is most commonly used during unseasonably dry or hot weather. This option allows you to manually water without adjusting and resetting the **Watering Duration Slide Switches**.

MANUAL TEST

This feature allows the homeowner to run each station 1 minute to confirm all stations are working properly.

To Run a Test Cycle:

1. Ensure the rotary selector is on the **AUTO** position.
2. Press the **MANUAL** button once [See Figure 16]
3. Press **ENTER** to begin, and **CLEAR** to stop test cycle.

Note: This function will activate all stations even those with the slide control in the manual off position.

MULTIPLE STATIONS—WATER ALL STATIONS ONCE

This can be especially helpful if you happen to experience unusually warm weather. Each station will water once, in sequence, based on each station's **Watering Duration** setting.

Note: Program settings (A, B, or C) will not affect whether a station waters or not. If you do not want a station to water, move the **Watering Duration Slide Switch** to the **MANUAL OFF** position.

1. Ensure the rotary selector is on the **AUTO** position.
2. Press the **MANUAL** button once.
3. Continue to press the **NEXT** button until you see "A B C Extra All" [See Figure 17].
4. Press the **ENTER** button, within 30 seconds, to activate manual watering.

- To interrupt or discontinue this cycle, press the **CLEAR** button once.

At the completion of this function, the sprinkler timer reverts back to your normal automatic watering plan.

Note: If the manual operation is started during an automatic program cycle, the automatic program will be cancelled.



Figure 17:

Display showing manual watering for all programs and all active stations

MULTIPLE STATIONS—WATER ONLY STATIONS ASSIGNED TO A SINGLE PROGRAM (A, B OR C)

For this example we will water all stations assigned to Program B. This procedure will be the same for both Program A and C.

- Ensure the rotary selector is on the **AUTO** position.
- Press the **MANUAL** button once.
- Continue to press the **NEXT** button until you see “**B EXTRA ALL**” [See Figure 18]
- Press the **ENTER** button, within 30 seconds, to activate manual watering.
- To interrupt or discontinue this cycle, press the **CLEAR** button once.

Note: In this example stations assigned to Program “B” will water one at a time in sequence.



Figure 18:
Display showing manual watering,
for stations assigned to program B, selected

Section 6: Additional Features

No Watering

“No watering” allows the homeowner to input the restricted water day(s) and/or period (time), imposed by local water districts. This feature prevents the homeowner from watering during restricted days and times.

“NO WATERING” DAY(S) OF WEEK

When restricted day(s) are entered, all watering programs that fall on a restricted day will not water on that day.

To program “No Water Day(s)”:

- Turn the rotary dial to **NO WATERING**
- Press the **NEXT** button until the desired day of week flashes and press **CLEAR**. [See Figure 19]

Note: Days entered as No Watering days will **NOT** have a water drop icon above the day

- Repeat step 2 until the water drop icon is removed above all restricted days.
- To remove a “No Watering” restriction from a day press the **NEXT** button until the day flashes and press the **ENTER** button.

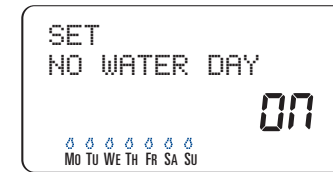


Figure 19: Display - “No Water Day”

“NO WATERING PERIOD/TIME”

When a restricted time is entered, all watering programs that fall on a restricted watering time will be shifted to a non-restricted day and/or time.

To program “No Watering Period/Time”

- Turn the rotary dial to **NO WATERING**
- Press the **RAIN DELAY** button once. [See Figure 20]
- Enter the starting time of the “No Water Period” using the **+** and **-** buttons and press **ENTER** to accept time.
- Next set the ending time of the “No Water Period” using the **+** and **-** buttons and press **ENTER** to accept time.
- Return rotary dial to the **AUTO** position.

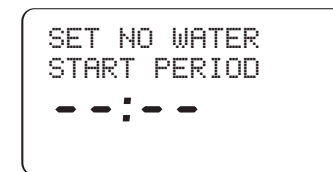


Figure 20: Display - No Water Period

Set Master Valve or Pump Start

This sprinkler timer allows each station to operate with or without pump. If a station is set to operate with the pump, it will start two seconds before the station does.

Note: A Pump Start Relay is required to operate pump. (Sold separately)

TO ACTIVATE “PUMP START” FOR EACH STATION:

- Turn the rotary dial to the **PUMP** position.
- Press the **RAIN DELAY** button once. [See Figure 21]
- If you want the pump to be active for the displayed station, press **ENTER**.
- If you **do not** want the pump to be active for the displayed station press **CLEAR**.
- Press **NEXT** to advance to the next station.
- Turn the rotary dial to exit this setting.

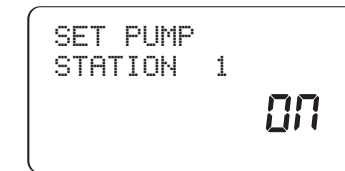


Figure 21: Display - Pump Start active for station 1

Station Delay

This feature is commonly used by homeowners with cisterns or well water. The delay allows cisterns and wells adequate time to re-supply the reservoir.

Note: Delays between stations can be programmed from 1 minute to 9 hours.

TO PROGRAM STATION DELAY:

1. Turn the rotary dial to **STATION DELAY** [See Figure 22]
2. To increase or decrease the time delay time between each station, press the **+** or **-** button.
3. Press the **ENTER** button to save the time delay setting.
4. Return the rotary dial to **AUTO**

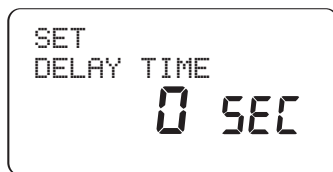


Figure 22: Display – Station Delay

Section 7: Installation of Indoor Mount Sprinkler Timer

Before installation please have the following items and tools.

- 2 AA Batteries
- Phillips Screwdriver
- Wire Strippers

Installing the sprinkler timer in 5 easy steps

1. Selecting a Location
2. Mounting the Sprinkler Timer

3. Installing the Batteries
4. Connecting the Power Supply
5. Connecting Valve Wires to Sprinkler Timer

Note: For installation of **OUTDOOR** models see Appendix A

1. Selecting a Location

Select a location with the following criteria:

- Near an electrical outlet (Avoid using an outlet controlled by a switch)
- An indoor, dry location, where operating temperatures are not below 32° or above 158° Fahrenheit (0 degrees or above 70 degrees Celsius)
- Avoid direct sunlight
- Access to sprinkler wire (from valves)

2. Mounting the Sprinkler Timer

- Using the mounting template (included) mark the screw locations on the wall.
- Insert a No. 8 screw (included) in the upper mark, leaving the screw head about 1/8th (3mm) out from the wall. (Use the expanding anchors in plaster or masonry if necessary.)
- Slip the keyhole slot in the back of the sprinkler timer over the extended screw. [See Figure 23]
- Screw a No. 8 screw through the two holes located behind the batteries in the battery compartment.

3. Install the Batteries

Two AA alkaline batteries are required to retain the program in memory during power loss. Annual replacement is recommended.

- Remove the battery cover by sliding it to the left. [See Figure 24]
- Insert two AA alkaline batteries

- Replace the battery cover

Note: Batteries alone will not operate the valves in your sprinkling system. The 24-volt transformer must be plugged in and have power to operate your system normally.

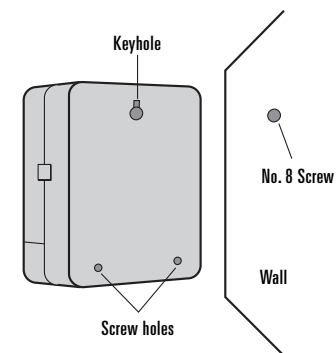


Figure 23: Mounting the Sprinkler Timer

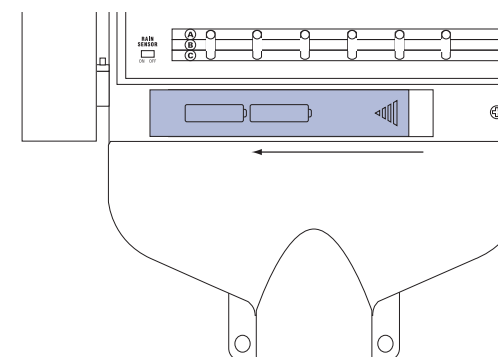


Figure 24: Battery Compartment

4. Connecting the Transformer

- With the cover off, find the two terminal holes labeled “24VAC IN” [See Figure 25]
- Insuring the transformer is not plugged in; insert one of two power leads (from the transformer) into each terminal.

Note: It may be necessary to open the terminal to allow for wire insertion or removal. This is done by pressing upward on the tab located on top of the terminal.

- Plug in the transformer.

Warning: Do not link two or more sprinkler timers together with one transformer.

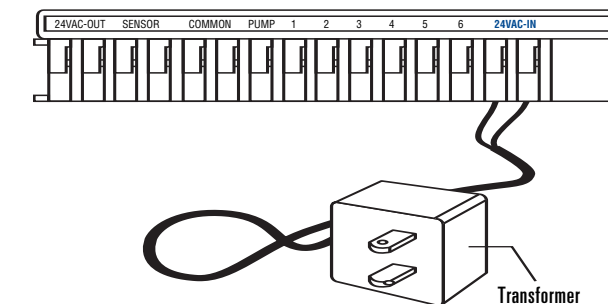


Figure 25: Connecting the Transformer

Section 8: Wiring Valves, Sprinkler Timer, Pump Start and Master Valves

1. Wiring the Electric Valves

Note: If the distance between the sprinkler timer and valves is under 700' (210 m), use Orbit® sprinkler wire or 20 gauge (AWG) plastic jacketed thermostat wire to connect the sprinkler timer to the valves. If the distance is over 700' (210 m), use 16 gauge (AWG) wire.

- Taking the sprinkler wire, strip 1/2" (12 mm) of the plastic insulation off the end of each individual wire.
- Connect one wire from each valve (it doesn't matter which wire) to a single "Common" sprinkler wire (usually white) [See Figure 26]

Important: All wires should be joined together using wire nuts, solder, and/or vinyl tape. For additional protection to waterproof connections, an Orbit® grease cap can be used.

- Next connect the remaining wire from each valve to a separate colored sprinkler wire.
- To avoid electrical hazards, only one valve should be connected to each station.

Important: The wire can be buried in the ground; however, for more protection wires can be pulled through PVC pipe and buried underground. Be careful to avoid burying the wires in locations where they could be damaged by digging or trenching in the future.

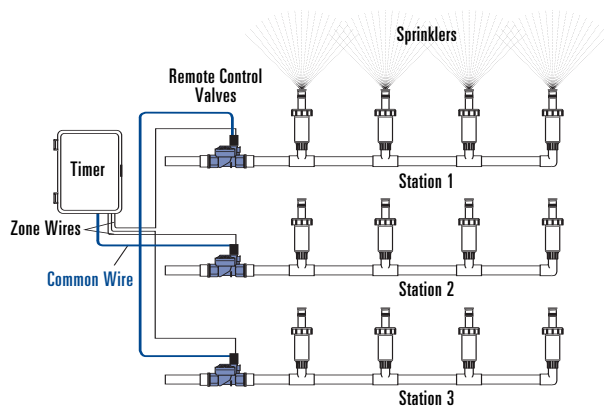


Figure 26: Connecting Sprinkler Wires to Valves

2. Connecting Valve Wires to the Sprinkler Timer

- Remove the terminal compartment cover.
- Strip 1/4" (6 mm) of the plastic insulation off the end of each wire.
- Determine which valve you want to connect to which station. Connect each sprinkler wire (excluding the "Common" wire) to a separate station terminal (numbered above each blue tab) by inserting the bare wire fully into the hole under each tab. [See Figure 27]
- It may be necessary to open the terminal to allow for wire insertion or removal. To do this, simply press upward on the tab located on top of the terminal.
- Connect the common wire to the terminal (white in color) labeled "COMMON".

Note: Only insert one wire into each terminal. If more than two common wires are required, splice several together so only one wire runs into each of the two "Common" terminals. Protect the splice connection with a wire nut.

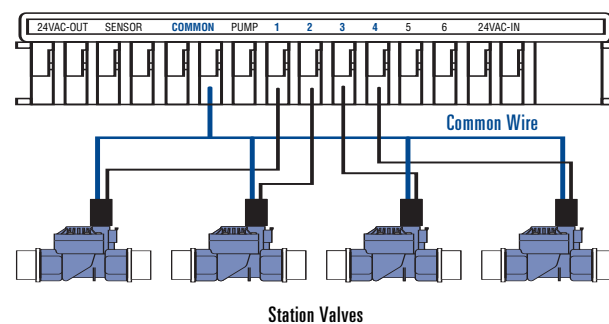


Figure 27: Connecting Sprinkler Wire

3. Pump Start & Master Valve

This sprinkler timer allows a master valve or pump start relay to operate whenever a station is on.

Note: If you are activating a pump from this timer, you must purchase a Pump Start Relay.

From the pump start relay (or master valve); connect one wire to the "Pump" terminal and the other wire to the "Common" terminal. [See Figure 28]

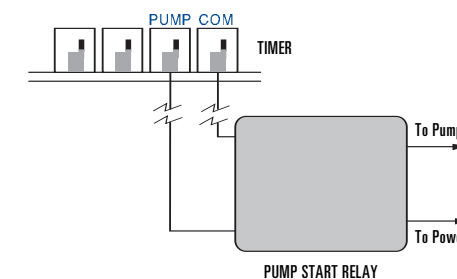


Figure 28: Connecting pump start or master valve

Section 9: Diagnostics Circuit Breaker

Smart-Scan® Diagnostic Fault Sensing

A diagnostic fault sensor will automatically scan for the presence of a faulty solenoid or wiring short in a valve during each watering sequence. If a faulty station is detected, the sprinkler timer will move to the next working station. Smart-Scan® also detects faulty wiring for the Pump or Master Control. Upon detection watering cycle is discontinued.

Fault Notification

- Faulty Station - "FAULT STN" and station number, is displayed. Note: When multiple faulty stations are detected, only the last faulty station will be displayed.
- Faulty wiring for pump/master control - "PUMP FAULT" is displayed.

Correcting the Fault:

1. First repair the short in the wiring or replace the faulty solenoid.
2. Test the station by operating a manual watering sequence.
3. If the short is not detected after a few seconds, the fault notification message will be terminated.
4. If the message continues, a short in the wiring still exists.

Internal Auto-Resetting Electronic Circuit Breaker

The sprinkler timer is equipped with an internal electronic self-resetting circuit breaker.

Possible causes of a circuit breaker tripping:

1. If lightning strikes nearby.
2. When the power supply has an electric spike.
3. If a station has a wiring short.

Whenever one of these conditions occurs, the electronic circuit breaker may trip causing the station output from the sprinkler timer to be halted momentarily. The batteries will continue to store the program information and activate the LCD. After a few moments, the sprinkler timer will automatically retest the circuit to see if the condition has stopped. If so, the circuit breaker will reset itself.

Section 10: Trouble Shooting

	Symptom	Cause	Correction
LCD Displays	POWER RESET	Power Surge	See Page 3
	FAULT STN	Faulty solenoid	Replace
		Short in sprinkler wire	Check wire connections Look for cuts in sprinkler wire or replace
	PUMP FAULT	Short in sprinkler wire going to pump	Look for cuts in sprinkler wire or replace
	NO AC	Transformer not plugged in (indoor models)	Ensure transform is securely plugged in
		Permanent wiring is not connected or connected improperly (outdoor models)	See Page 21
	Blank or partial LCD	Main residential power is not on	Check circuit breaker or fuse
Missing or low battery and no AC power		Replace batteries and check AC power	
Reset button needs to be pushed		Re-enter program(s)	
Watering Problems	One or more stations do not turn on	Programming incorrect	See Page 5
		Flow control stem on valve is turned off	Check valve
		Watering Duration Slide Switch is on " MANUAL OFF "	Slide the switch to a watering duration
		Watering Duration Slide Switch is on " DIAL SET BY MINUTE "	Enter a watering duration (See page 8) or slide the switch to a watering duration
		Program Slide Switch is not on the correct Program (A, B, C)	Slide the Program Switch to the correct program
		Sprinkler Wire is not connected to timer or valve	Connect wiring
	Stations turn on when they are not supposed to	The rotary dial is not on " Auto "	Turn the dial to Auto
		Water Supply is not supplying water	Make sure main valve is turned on
		Excessive Water Pressure	Install a pressure reducer
		More that one start time is programmed and/ or with overlapping "start times" or "programs"	Review programming (See page 9)
	A Station will turn off	Water Restrictions program is preventing watering	See Page 12
		Station Delay is active	See Page 14
		Watering Duration Slide Switch is on MANUAL ON	Slide Watering Duration Slide Switch to " MANUAL OFF "
	LCD shows watering program running but sprinklers do not turn on	Valve may be clogged by debris	Clean Valve
		Rain Sensor Bypass switch is " ON " but no rain sensor is connected.	Turn rain sensor switch " OFF "

Glossary of Terms

TERM	DEFINITION
Controller	See sprinkler timer
Cycle Start Time	The time the program begins watering the first station
Irrigation Valve, Automatic	Used in conjunction with sprinkler timers and are a convenient way of delivering water to lawns, plants and gardens
Master Valve	A valve that prohibits water from reaching "Station Valves"
Multiple Start times	A feature that allows a program to be operated multiple times on the same day
Overlapping Programs	When a "Start Time" is set before the previous program has completed
Program (A, B or C)	Consists of 1 or more "Start Time(s)," a "Watering Option" (Days of Week, Interval or Odd/Even Days) and what stations will water
Rain Delay	A feature that prevents the sprinkler timer from running it's scheduled watering program for a specific duration
Solenoid	The electrical part on an irrigation valve that opens and closes the valve
Sprinkler Timer	A device that is responsible for turning an automatic irrigation system on and off
Station	An area where the irrigation is all controlled by a single control valve
Valve	See irrigation valve
Watering Option	Consists of Days of Week, Interval or Odd/Even Days use in programming
Watering Program	See program
Watering Restriction	Specific days and/or times that local municipalities prohibit watering
Zones	See station

Appendix A: Installation of Indoor-Outdoor Sprinkler Timers

1. Selecting a Location

Select a location with the following criteria:

- Near a power source (if hard wiring) or electrical outlet (applicable only to U.S. retail timers)
- A location, where operating temperatures are not below 32° or above 158° Fahrenheit (0 degrees or above 70 degrees Celsius)
- A location, with at least 7" of space is to the left of the sprinkler timer box for the door to swing open after installation

Note: The sprinkler timers are weather-resistant to UL-50 and ETL® Listed, but should not be placed in areas where continuous water could cause damage.

- A location without direct sunlight
- Access to sprinkler wire (from valves)

Caution: Do not open the Sprinkler Timer when it is raining.

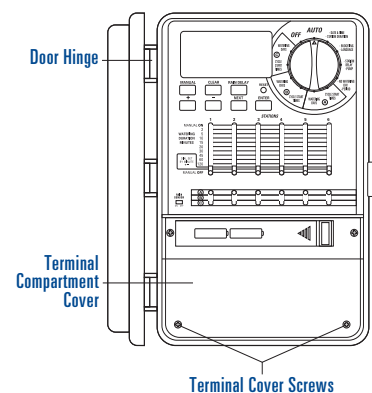


Figure A1: Terminal Cover Figure

2. Mounting Sprinkler Timer

- Using the mounting template (included) mark the screw locations on the wall.
- Insert a No. 8 screw (included) in the upper mark, leaving the screw head about 1/8th inch (3mm) out from the wall. (Use expanding anchors in plaster or masonry if necessary)
- Remove the “Terminal Cover” by unscrewing the two screws and pulling the plastic cover forward, this reveals the “AC Sub Plate”. [See Figure A1]
- Remove the “Rubber Weather Plug” from “AC Sub-Plate”. [See Figure A2]
- Slip the slotted keyhole, in the back of the Sprinkler Timer, over the screw. [See Figure A3]
- Making sure the Timer is level, place a No. 8 screw (included) in the center depression (located in the hole where the rubber plug was located) and tighten until the box is held firmly to the wall, but do not over-tighten.

To make installation easier the Sprinkler Timer has a removable door.

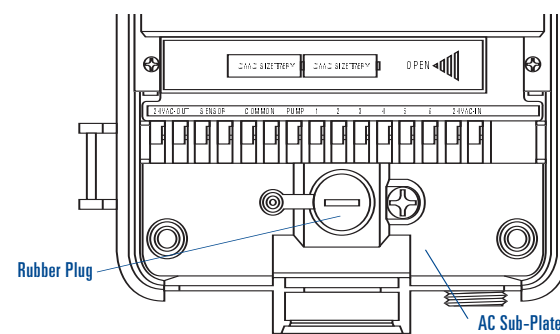


Figure A2: AC Sub-Plate

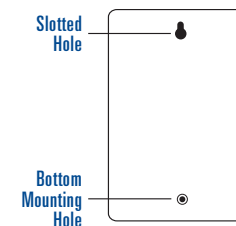


Figure A3: Back of Sprinkler Timer

3. Connecting Electrical Power

Caution: For outdoor installation it is recommended that a qualified electrician completes wiring in accordance with electrical codes and regulation. This sprinkler timer is intended for use with a Ground Fault Interrupter (GFI) protected circuit when used outdoors.

Check the model number of your sprinkler timer: various models are configured differently to meet national requirements. The model number can be found on the back of the housing, together with other useful information.

FIND YOUR MODEL BELOW AND GO TO THE APPROPRIATE SECTION

Models 57396, 57392, 57384, 57386, 57388, 57382

- Go to the [Fitted Line Cord](#) section below.

Models 57606, 57012, 91016, 91012

- For Indoor mounting go to [Fitted Line Cord Installation](#) section below
- For Outdoor mounting go to [Preparing for Permanent Wiring](#) section below

Models 57344, 57346, 57348, 57342, 94022, 94026, 94028

- Go to “Permanent Wiring” section

FITTED LINE CORD INSTALLATION

Replacement of the supply Cord: If the supply cord is damaged it must be replaced by a service agent or similarly qualified person in order to avoid a hazard

- **Indoor Locations** - Insert the line cord into Ground Fault Interrupter (GFI) outlet.

- **Outdoor Locations** - Insert the line cord into a power Ground Fault Interrupter (GFI) outlet connected to a GFI circuit.
- Proceed to Section 8 on page 15

PREPARING FOR PERMANENT WIRING

- Remove the “Terminal Cover” by unscrewing the two screws and pulling the plastic cover forward, this reveals the “AC Sub-Plate” [See Figure 30]
- Remove the “AC Sub-Plate Cover,” by removing the screw (located to the right of the rubber plug).
- Loosen the screw on the “Cord Restraint” and the three screws on the terminal block and remove the “Line Cord” completely. [See Figure A4]
- Feed the three “Pigtail” wires of the pigtail through the “Exit Nipple,” under the “Cord Restraint”, and across to the terminal block. Connect the wires to the “Terminal Block” in the following manor:
 - Black “pigtail” wire – Connect to the “L” terminal (Hot)
 - White “pigtail” wire – Connect to the “N” terminal (Neutral)
 - Green “pigtail” wire – Connect to the “E” Terminal (Ground)
- Ensure that the terminal screws and the “Cord Restraint” relief screw are all firmly tightened.
- Replace the AC Sub-Plate and tighten screw (Do not force into place, if resistance is met check that no wires are trapped)
- Proceed to “Installation using Permanent Wiring”.

INSTALLATION USING PERMANENT WIRING

Important: The sprinkler timer has a built-in transformer that must be connected to an AC line voltage source. Check the back of the sprinkler timer box for power requirements. Local building and electrical codes usually require that an approved electrical conduit and electrical fittings be used to connect exterior wall-mounted equipment to AC power. Please check local codes. Any permanent connection should be made by a licensed electrical contractor in accordance with the requirements of the National Electrical Code and other state and local codes.

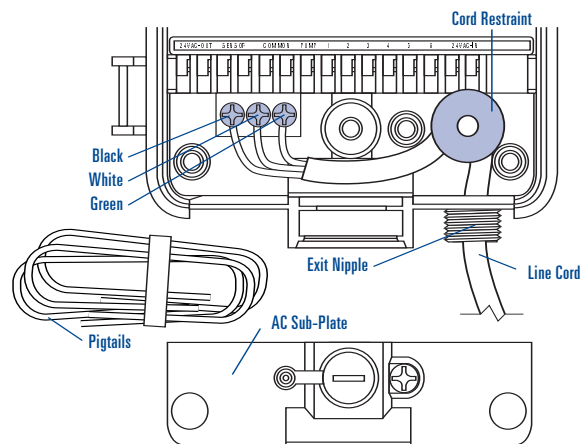


Figure A4: Removing "Line Cord"

Caution: Do not connect the sprinkler timer to one phase of a three-phase power system used by a pump or other electrical equipment.

Important: This sprinkler timer has an Exit Nipple-mounted external power connection. Use this 1/2 inch (13mm) NPT nipple to connect the sprinkler timer to a standard electrical junction box (UL Listed or equivalent or comply with IEC or EN standards or equivalent).

- Turn off the AC power at the AC circuit breaker and apply an appropriate safety lockout. Verify that the power has been turned off to the installation site using an AC voltmeter set for the correct measurement range.
- Use power feed wire of 14 gauge (AWG) minimum with a temperature rating of 155 degrees Fahrenheit (68 degrees Celsius) or higher.
- Install the conduit and associated fittings. Connect the AC electrical power wiring to the source by following all the right codes and local standards.
- Connect the junction box (not included) to the NPT nipple. [See Figure A5]

- Connect the source power conduit to the entrance of the junction box, following all the appropriate codes.
- Connect the source wires to the wires extending from the sprinkler timer.
- Take care to follow the correct color code. For USA: connect the Green for Ground, Black for Live, and White for Neutral. Often the source ground may be bare copper conductor rather than green wire. For Europe: Live is Brown and Neutral is Blue, there is no ground connection required. Be sure that all wires are connected to the proper source wire.
- Make sure all connections are made with code-approved insulated connectors.
- Be sure to place a weatherproof gasket and lid on the junction box.
- Proceed to Section 8 on page 15

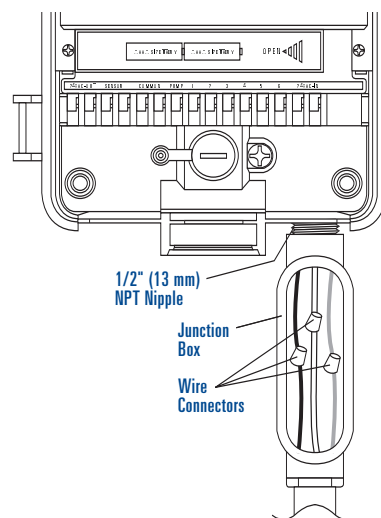


Figure A5: Using a Junction Box

Appendix B: Rain Sensor and the Rain Sensor Bypass Switch (Sensor sold separately)

A rain sensor or other type of micro-switch weather sensor may be connected to the sprinkler timer. The purpose of the sensor is to stop watering when precipitation is sufficient.

CONNECTING A RAIN SENSOR

- Connect the rain sensor wires to the wiring terminal ports (yellow in color) labeled "Sensor" [See Figure B1]

Note: Refer to your rain sensor manual for specific wiring instructions.

- Place the sensor on/off switch to the "on" position to begin operation.

RAIN SENSOR BYPASS

This sprinkler timer is equipped with a sensor override "on/off" switch. This switch is for use during maintenance and repairs, so the sprinkler timer can be operated even if the rain sensor is in active mode.

IMPORTANT: If the rain sensor switch is in the "on" position and no sensor is connected, the sprinkler timer will not operate. To resume sprinkler timer operation place the switch in the off position.

24 Volt Output Terminals

Orbit® Irrigation has equipped this sprinkler timer with 24 VAC output terminals. This allows direct 24 volt connection to the Sensor, avoiding the need to run a separate power source. This is not an input terminal and should only be used with an Environmental Sensor.

Caution:

1. Before connecting the sensor to the 24 VAC output terminals, turn off the power supply to the sprinkler timer.
2. Only connect sensors requiring 24 volts. Connecting any device not 24 volt may cause damage to both sprinkler timer and sensor.
3. Please consult with the manufacture of the sensor you are attaching.
4. The appliance is not intended for use by young children or infirm persons without supervision
5. Young children should be supervised to ensure that they do not play with the appliance

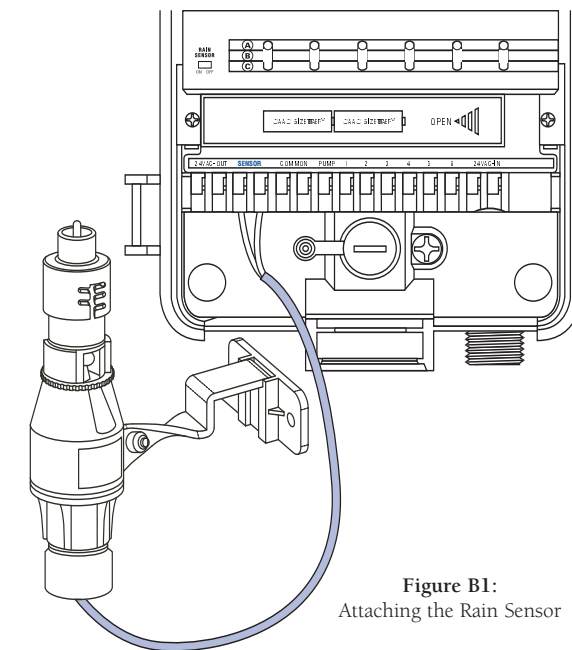
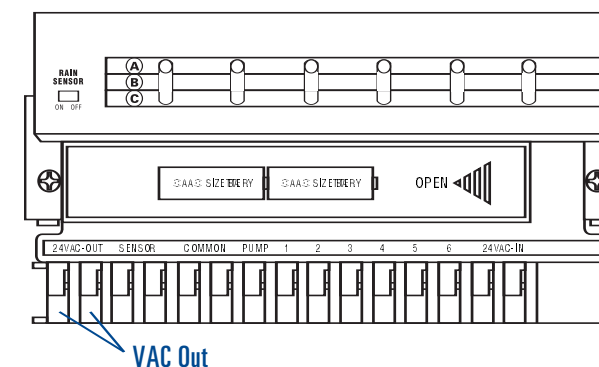


Figure B1:
Attaching the Rain Sensor



Help

Before returning this sprinkler timer to the store, contact Orbit® Technical Service at: 1-800-488-6156, 1-801-299-5555

Listings

The sprinkler timer is tested to UL-1951 (Models 57004, 57006, 57008, 57122) and UL-50 (Models 57606, 57012) standard and is ETL® listed. Appropriate international models are CSA® and CE® approved.

Trademark Notice

Control Star®, and Smart-Scan® are registered trademarks of Orbit® Irrigation Products, Inc. The information in this manual is primarily intended for the user who will establish a watering schedule and enter that schedule into the sprinkler timer. This product is intended to be used as an automatic sprinkler timer for activating 24 VAC irrigation valves, as described in this manual.

Orbit® Irrigation Limited Six Year Warranty

Orbit® Irrigation Products, Inc. warrants to its customers that its products will be free from defects in materials and workmanship for a period of six years from the date of purchase.

We will replace, free of charge, the defective part or parts found to be defective under normal use and service for a period of up to six years after purchase (proof of purchase required).

We reserve the right to inspect the defective part prior to replacement. Orbit® Irrigation Products, Inc. will not be responsible for consequential or incidental cost or damage caused by the product failure. Orbit® liability under this warranty is limited solely to the replacement or repair of defective parts.

To exercise your warranty, return the unit to your dealer with a copy of the sales receipt.

Safety of children: The controller is not intended for use by young children or infirm person without supervision. Young children should be supervised to ensure they do not play with controller.

Sección 1: Introducción

Le agradecemos su elección de un programador de riego Orbit®. Los diseñadores de Orbit® han combinado la simplicidad de los conmutadores deslizantes con la precisión de la electrónica digital, ofreciéndole a usted un programador fácil de usar y extremadamente versátil.

Lea este manual completamente antes de instalar o usar este programador de riego.

Para ayudarle, en este manual hemos incluido varias funciones importantes.

1. Glosario con los términos más comunes (vea la página 41)
2. **Texto azul** refiere a los botones usados para la programación
3. **Texto azul subrayado** refiere a las posiciones de parada para los conmutadores deslizantes y para el dial.

Mandos de uso habitual

A Pantalla digital con mensaje de texto

Una gran pantalla LCD (de cristal líquido) muestra la hora del día e indica muchos de los ajustes del programa. Los mensajes de texto interactivos simplifican la programación y el estado del programador de riego.

B Botones de programación

Estos 7 botones se usan para programar, entre otras operaciones.

C Dial

Esta ruedecilla se usa para programar, revisar y manejar el programador de riego.

D Conmutadores deslizantes – Duración del riego

Los conmutadores deslizantes verticales permiten las siguientes funciones:

1. Ajuste de la duración del riego para cada estación
2. Ejecución manual de una estación concreta
3. "Ajuste del dial por minuto" (Dial Set by Minute) – Permite ajustar la hora en el dial con incrementos de 1 minuto mediante las teclas + y -

E Conmutadores deslizantes de programación

Los conmutadores deslizadores de programación permite al usuario conmutar entre los programas A, B y C.

F Aplazamiento por lluvia

Este botón también actúa como tecla de cambio para las posiciones de parada de color morado en el dial.

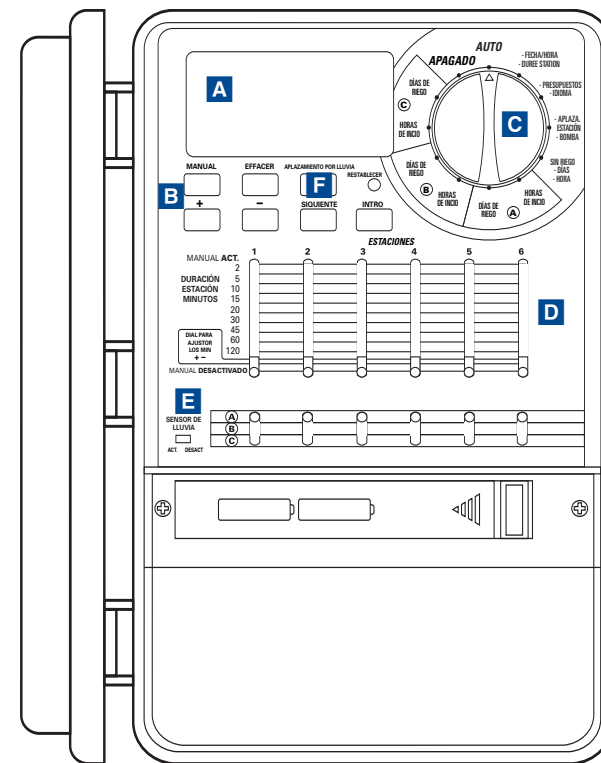


Ilustración 1: Vista frontal del programador de riego

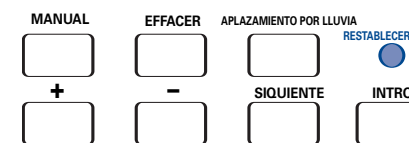


Ilustración 2: Teclas de programación

Sección 2: Inicio

Para programar este temporizador de riego sólo tendrá que seguir algunos pasos. Antes de comenzar la programación, es importante:

- Instalar las pilas
- Poner a cero el temporizador de riego
- Seleccionar un idioma
- Ajustar la hora y el día
- Determinar un plan de riego.

Instalar las pilas

Este programador de riego requiere pilas alcalinas AA para almacenar el programa en la memoria en caso de corte de corriente (VCA). Las pilas completamente cargadas proporcionan suficiente energía para un año aproximado de protección. Es recomendable cambiar las pilas anualmente.

- Corra hacia la izquierda la tapa del compartimento de pilas [Ilustración 1]
- Inserte dos pilas alcalinas AA
- Coloque de nuevo la tapa del portapilas

Si falta alguna pila o las pilas están algo gastadas, los ajustes de hora, fecha y de programa pueden perderse tras un corte de electricidad. En tal caso, necesitará colocar pilas completamente cargadas y reprogramar el programador de riego.

Nota: Las pilas sólo mantienen el programa en la memoria. No activan las válvulas en el sistema de riego.

Poner a cero el temporizador de riego

Si ésta es la primera vez que programa el programador de riego, pulse el pequeño botón llamado **RESTABLECER**. Este botón no afecta al programa de protección instalado en fábrica. [Ilustración 2]

No pulse de nuevo el botón de reajuste **RESTABLECER**, a menos que desee eliminar completamente todos los ajustes de programación.

Seleccionar un idioma

El lenguaje de la pantalla LCD puede adecuarse al inglés, español y francés.

1. Gire el dial hacia la posición **• IDIOMA**.
2. Pulse el botón **APLAZAMIENTO POR LLUVIA**.
3. Pulse el botón **SIGUIENTE** hasta que encuentre el idioma deseado [Ilustración 3]
4. Pulse **INTRODUCIR** para confirmar la selección.
5. Pulse el botón **APLAZAMIENTO POR LLUVIA** o gire el dial para abandonar este modo.

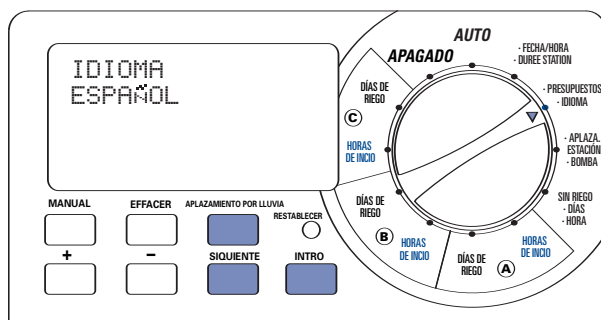


Ilustración 3: Selección del idioma en la pantalla LCD

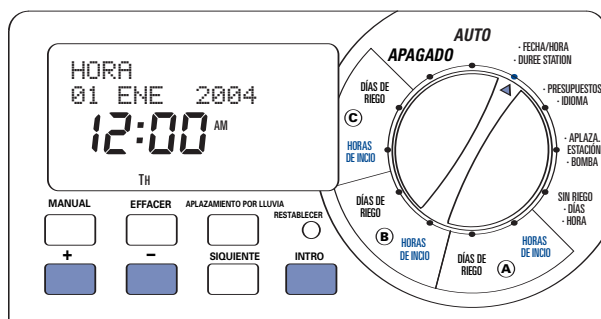


Ilustración 4: Hora de ajuste en la pantalla LCD

Ajustar la hora y el día

Gire el dial hasta la posición **FECHA/HEURE**. [Ilustración 4]

• Pulse la tecla **+** para adelantar la hora o la fecha en el reloj. Use el botón **-** para ejecutar en sentido inverso. Una vez ha llegado a la fecha o la hora adecuada, pulse **INTRODUCIR** para fijar la hora.

- Pulse las teclas **+** y **-** para ajustar el año correcto y pulse la tecla **INTRODUCIR**.
- Pulse las teclas **+** y **-** para ajustar el año correcto y pulse **INTRODUCIR**.
- Pulse las teclas **+** y **-** para ajustar la fecha correcta y pulse **INTRODUCIR**.

La pantalla mostrará la hora y fecha correctas.

Precaución: Si no ha introducido un plan de riego en el programador, el programa de protección instalado en fábrica se activará en cada estación todos los días a las 05:00, durante 10 minutos. Para evitar un riego accidental, gire el dial en posición de apagado (**OFF**) o introduzca un programa de riego.

Determinar un plan de riego

Para facilitar la visualización de la mejor manera de programar el temporizador, puede escribir en un papel un plan de riego. Este plan le puede ayudar a establecer qué días y a qué hora desea que se produzca el riego.

1. Escriba, para cada estación (o válvula), la ubicación del riego, el tipo de aspersor y las plantas que deben ser regadas.
2. Esta lista le ayudará a determinar la duración del riego recomendada (para cada tipo de aspersor y vegetación que desea regar) y la frecuencia para cada estación.

Importante: Identifique cualquier restricción en el suministro de agua que pueda sufrir su zona.

3. Determine, según el paso 2, la opción ideal de riego para cada estación (día de la semana, intervalo de riego o días pares e impares).

De acuerdo con la información anterior, su programa de riego puede presentar el siguiente cuadro:

Estación	Programa	Opción de riego	Días	Hora de inicio	Duración en minutos	Ubicación	Aspersorio	Planta
1	A	Días de la semana	Lu, Mi, Sá	5:00 AM	15 min	Banda frontal	Cabezas de aspersión	Hierba
2	A	Días de la semana	Lu, Mi, Sá		15 min	Frontal, Norte	Cabezas de aspersión	Hierba
3	A	Días de la semana	Lu, Mi, Sá		15 min	Frontal, Sur	Cabezas de aspersión	Hierba
4	B	Par/Impar	Cada 2 días	6:45 AM	30 min	Posterior, Norte	Engranaje	Hierba
5	B	Par/Impar	Cada 2 días		30 min	Posterior, Sur	Engranaje	Hierba
6	C	Intervalo	Cada 5 días	9:00 PM	30 min	Frontal	Cabeza para arbusto	Arbustos y flores

A partir de la información proporcionada anteriormente, escriba su plan de riego en la etiqueta suministrada y colóquelo en el interior del programador.

Sección 3: Programación

Este programador de riego permite la flexibilidad de 3 programas individuales: A, B y C. Puede programar uno o los tres, según sus propias necesidades de riego.

1. Ajuste de las horas de inicio en los programas A, B o C

Nota: La hora de inicio del ciclo es la hora en que el programa comienza a regar la primera estación. Las horas de inicio del ciclo no corresponden con las estaciones específicas. Si introduce más de una hora de inicio del ciclo, todas las estaciones programadas para operar iniciarán de nuevo el riego (en secuencia).

La manera de ajustar la hora de inicio del ciclo es idéntica para todos los programas. Para ajustar las horas de inicio de ciclo para cada programa que usted utilice, siga los siguientes pasos:

- Ponga el dial selector en posición **HORA DE INICIO** en el programa que desee ajustar. Esta pantalla mostrará una A, B o C, según el programa que haya seleccionado. [Ilustración 5]

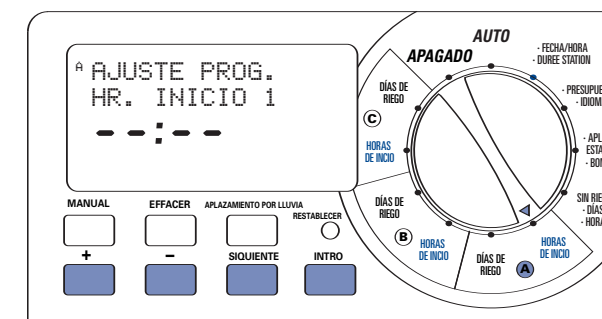


Ilustración 5: Ajuste de la hora de inicio

- Ajuste la hora (1) a la que desee iniciar el riego mediante las teclas **+** o **-**, y pulse **INTRODUCIR**. Para horas de inicio de ciclo adicionales, pulse el botón **SIGUIENTE** para avanzar a la siguiente hora de inicio y repita este procedimiento usando las teclas **+** y **-**; a continuación, pulse **INTRODUCIR**.

Importante: Las horas de inicio adicionales repiten el programa de riego. Generalmente, se requiere una sola hora de inicio del ciclo para cada programa (A, B o C).

Nota: No es posible ajustar una hora de inicio de ciclo para cada estación. Las estaciones pueden ser asignadas a los programas A, B o C. Cada programa puede tener hasta cuatro horas de inicio de ciclos. Las estaciones asignadas a un programa se activan en secuencia de acuerdo con las horas de inicio de ciclo indicadas.

2. Selección de la frecuencia de riego en el Programa A, B o C

Este programador de riego le permite seleccionar la frecuencia de riego según los días de la semana (Days of the week), intervalos (Intervals) de 1 a 32 días o según los días pares o impares (Odd/Even Days). Todas estas opciones están disponibles en los programas A, B y C.

Gire el dial en la posición **DÍAS DE RIEGO** (días de riego, en el programa A, B o C) para visualizar en la pantalla LCD las 3 opciones de riego. [Ilustración 6]

- **Mo Tu We Th Fr Sa Su** (lunes, martes, miércoles, jueves, viernes, sábado y domingo, respectivamente) se aplica a la opción de riego de los **días de la semana**
- **Odd Even** (Impar/Par) se aplica a la opción de riego en días **Pares o Impares**
- **Interval** (Intervalo) se aplica a la opción de riego en **intervalos**

OPCIÓN DE RIEGO "DÍAS DE LA SEMANA"

La opción "Días de la semana" le permite seleccionar días concretos de la semana para regar (por ejemplo: lunes, miércoles y sábado).

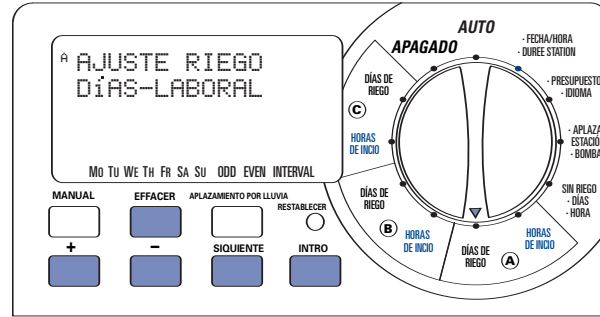


Ilustración 6: Selección de los días de riego

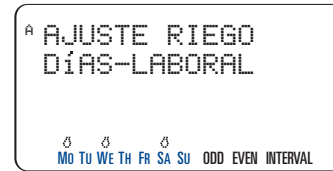


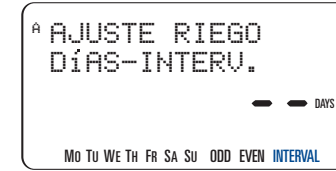
Ilustración 7: Selección de "Días de la semana"

Ajuste de la opción "Días de la semana:"

- Ponga el dial en posición **DÍAS DE RIEGO** en el programa A, B, o C
- Pulse **SIGUIENTE** hasta que el día de la semana deseado parpadee. Pulse **INTRODUCIR** para seleccionar el día. El día o los días seleccionados se acompañan de un ☼ un icono del día de la semana. Siga el mismo procedimiento para seleccionar los días que desee. [Ilustración 7]

Importante: **ODD** (impar), **EVEN** (par) e **INTERVAL** (intervalo) no son aplicables en la opción de riego Días de la semana

- Para borrar un día previamente seleccionado, pulse **SIGUIENTE** hasta que el día en concreto parpadee y pulse la tecla **EFFACER**.



Vea la Ilustración 8: Selección del Riego en intervalos

OPCIÓN DE RIEGO "INTERVAL" (INTERVALO)

El riego en intervalos se utiliza para regar en un intervalo de 1 a 32 días. Un intervalo de 1 día significa que se riega todos los días; un intervalo de 2 significa que se riega cada dos días, etc.

Ajuste del intervalo de riego "Interval":

- Ponga el dial en posición **DÍAS DE RIEGO** en el programa A, B, C.
- Pulse **SIGUIENTE** hasta que la palabra "INTERVAL" parpadee en la pantalla [Ilustración 8]
- Busque el número del "intervalo" deseado mediante las teclas **+** o **-** y pulse **INTRODUCIR**
- Para eliminar un intervalo previamente ajustado, continúe pulsando la tecla **SIGUIENTE** hasta que la palabra "INTERVAL" parpadee (en la esquina inferior derecha) y pulse **EFFACER**. Indique un nuevo intervalo o continúe pulsando la tecla **SIGUIENTE** para seleccionar un opción de riego distinta.

OPCIÓN DE RIEGO "ODD O EVEN" (PAR O IMPAR)

Puede ajustar el programador para que riegue solamente los días impares (Odd) o los días pares (Even). El programa de par/impar se basa en la fecha. También puede escoger un riego en días pares o impares con intervalos específicos.

Por ejemplo: si selecciona días impares con un intervalo de 2, su programador de riego regará cada dos días impares (es decir: cada 4 días)

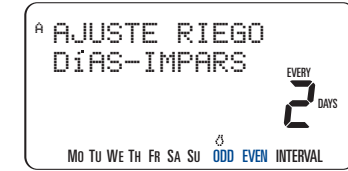


Ilustración 9: Selección del riego "Pares e impares"

Ajuste del riego en días impares:

- Ponga el dial en posición **DÍAS DE RIEGO** en el programa A, B, o C
- Pulse **SIGUIENTE** hasta que la palabra "ODD" parpadee en la pantalla. Si desea regar cada dos días impares, pulse **INTRODUCIR** para confirmar esta programación. [Ilustración 9]
- Si desea regar en días impares pero con menos frecuencia que cada dos días, ajuste el intervalo de riego de 1 a 5 mediante las teclas **+** o **-**

Por ejemplo: si selecciona días impares con un intervalo de 2, su programador de riego regará cada dos días impares (es decir: cada 4 días).

- Pulse **INTRODUCIR** para fijar el ajuste

Para ajustar un riego en días pares, siga los pasos descritos pero seleccionando "EVEN" en la pantalla.

Nota: Si la(s) hora(s) de inicio han expirado, el programador de riego NO riega el primer día en que se introdujo o se modificó el programa.

3. Ajuste de la duración del riego

Este programador de riego le permite 2 opciones de ajuste de la duración del riego (Watering duration) para cada estación.

CONMUTADOR DESLIZANTE

- Ponga cada conmutador en la hora deseada (de 2 a 120 minutos) para cada estación. [Ilustración 10]

AJUSTE DEL DIAL POR MINUTO

Puede fijar la duración del riego con incrementos de un minuto. Para ello, utilice la función de Ajuste del dial por minuto (Dial Set by Minute). La duración de la estación "Ajuste del dial por minuto" puede ser fijada para cada estación individualmente.

- Ponga el conmutador de duración del riego (**Watering Duration**) en posición **DIAL PARA AJUSTOR LOS MIN** para cada estación. [Ilustración 11]
- Ponga el dial en posición • **DUREE STATION**.
- Pulse el botón **APLAZAMIENTO POR LLUVIA** para acceder a la función **DUREE STATION**.
- En la pantalla LCD puede ajustar la duración del riego para la estación 1
- Introduzca la duración del riego con las teclas + y – para la estación 1 y, a continuación, pulse **INTRODUCIR** para guardar el ajuste
- Continúe el proceso e introduzca las duraciones de riego para el resto de estaciones
- Para suprimir la duración de riego de una estación determinada, pulse **INTRODUCIR** hasta que la estación aparezca en la pantalla y pulse **EFFACER**.

Importante: Si el conmutador deslizante no está en la posición **"DIAL PARA AJUSTOR LOS MIN"**, el programador no empleará la duración completa.

Nota: El ajuste de duración de duración se utiliza en los programas A, B y C. No es posible introducir distintas duraciones de riego para los programas A, B y C.

Consejo

- Para desactivar una estación, mueva el conmutador deslizante a la posición **DESACTIVAR MANUAL**.

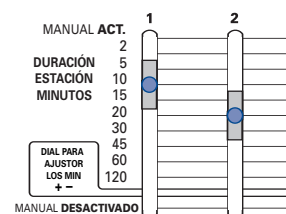


Ilustración 10: "Duraciones con el conmutador deslizante" fijadas en 10 minutos y 20 minutos

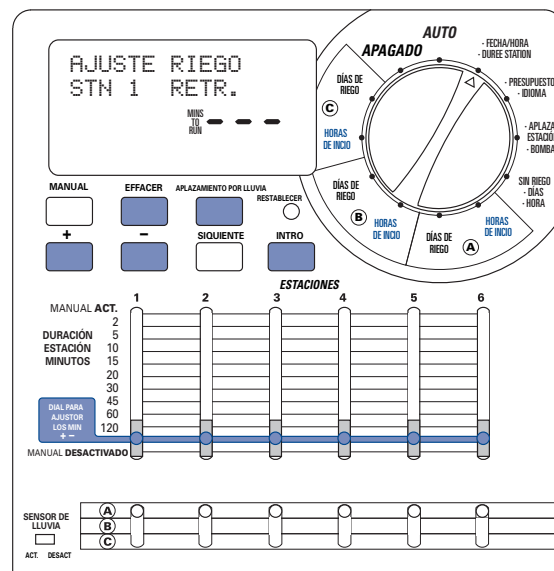


Ilustración 11: "Ajuste del dial por minuto"

CONMUTADORES DESLIZANTES DE PROGRAMACIÓN

Los **Conmutadores deslizantes de programación** le permiten seleccionar un programa (A, B o C) para las estaciones individualmente.

[Ilustración 12]

Con la información recogida en el apartado "Determinar un plan de riego", en la página 27, seleccione un programa "A", "B" o "C" para cada estación.



Ilustración 12: Ajuste de los "Conmutadores deslizantes de programación" en los programas A y B

REVISIÓN Y MODIFICACIÓN DEL PROGRAMA

El programador de riego Orbit® le permite revisar fácilmente su plan de riego. Por ejemplo: para revisar las horas de inicio del ciclo de riego para el programa "A", ponga el dial selector en posición **HORA DE INICIO** en el programa "A" y compruebe las horas introducidas. Con el botón **SIGUIENTE** puede revisar el programa sin preocuparse de alterar otro programa.

Si desea modificar las horas de inicio del ciclo, los días de riego o los intervalos de riego, simplemente siga las instrucciones para la modificación de dicho programa.

Tras revisar o cambiar un programa de riego, y desea que el programador de riego ejecute su programa, recuerde poner el dial selector en posición **AUTO**.

Sección 4: Operación automática y funciones de uso común

Precaución: Este aparato no debe ser utilizado por niños o personas minusválidas sin supervisión. Los niños deben estar bajo vigilancia para evitar que jueguen con el aparato.

Listo para la operación automática

Una vez completada la programación, ponga el dial selector en posición **AUTO**. El programador de riego está ya completamente progra-

mado y listo para funcionar en modo automático. En modo automático, cada estación funciona secuencialmente, comenzando con el Programa A.

IMPORTANTE: Este temporizador contiene un conmutador de derivación con sensor de lluvia. Si el conmutador con sensor de lluvia está activado ("on") y no se ha conectado ningún sensor, el programador de riego no funcionará.

Avance de estación

Con el programador de riego en funcionamiento, pulse **SIGUIENTE** para terminar el riego en la estación actual y pasar a la siguiente estación.

Programador apagado (OFF)

Evita que el programador riegue en modos Automático y Manual.

Aplazamiento por lluvia (Rain Delay)

El aplazamiento por lluvia le permite retrasar el riego durante un cierto período de tiempo. Los ajustes de aplazamiento son de 24, 48 y 72 horas y de 4 a 99 días.

ACTIVACIÓN DE LA FUNCIÓN "APLAZAMIENTO POR LLUVIA":

- Asegúrese de que el dial está en posición **AUTO**
- Pulse el botón **APLAZAMIENTO POR LLUVIA** para suspender el riego automáticamente durante 24 horas. [Figura 13]
- Si desea retrasar el riego por lluvia durante más tiempo, pulse las teclas + o – para aumentar o reducir el ajuste.
- Pulse **INTRODUCIR** o espere 30 segundos: el ajuste seleccionado de aplazamiento por lluvia comenzará.
- Pulse **EFFACER** para detener la función de aplazamiento por lluvia y activar de nuevo el riego programado

Al término del periodo de aplazamiento por lluvia, se reanuda el riego automáticamente.

Nota: El riego manual anula el aplazamiento por lluvia. Una vez completado el riego manual, se reanuda el aplazamiento por lluvia.

Mientras el dispositivo esté en modo aplazado, el programador de riego muestra las horas restantes. Excepto el botón **EFFACER**, no se acepta ningún otro botón mientras el programador de riego esté en modo de aplazamiento por lluvia.

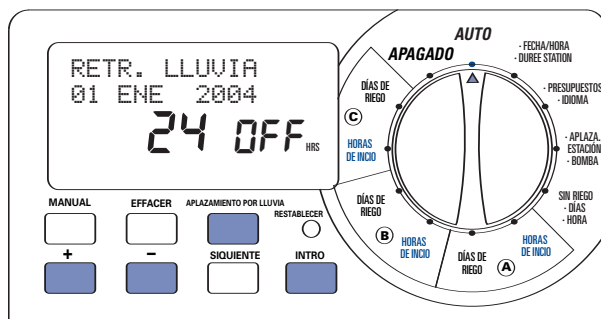


Ilustración 13: "Aplazamiento por lluvia" fijado en 24 horas

Estimación del agua (Water Budgeting)

La estimación del agua es una sencilla manera de ajustar la duración del riego para satisfacer las necesidades según la estación del año. Para estimar el agua se aumenta o disminuye la duración del riego para todas las estaciones en todos los programas. El margen de ajuste varía entre un 20% y un 200% en incrementos de 10%. El valor predeterminado es de 100%

PARA ESTABLECER LA ESTIMACIÓN:

1. Gire el dial a la posición • **PRESUPUESTO** [Ilustración 14]
2. Para aumentar o disminuir el porcentaje, pulse las teclas **+** o **-**.
3. Pulse **INTRODUCIR** para fijar el ajuste.

Sección 5: Operación manual

El programador de riego Orbit® le permite ajustar 2 opciones para operar el temporizador manualmente.

Una estación

Varias estaciones

Nota: Si se arranca un funcionamiento manual durante un ciclo de programa automático, éste ciclo será cancelado.

A. Una estación

Esta opción se utiliza normalmente para probar una estación específica o para el riego adicional de una estación específica. La operación manual se consigue mediante los **Conmutadores Deslizantes de Duración Del Riego**

Importante: Sólo se activa una estación a la vez. Se activará (riego) la última estación activada en posición **ACTIVAR MANUAL**

UNA ESTACIÓN – SIN DURACIÓN DE RIEGO

1. Asegúrese de que el dial está en posición **AUTO**.
2. Para activar la estación, ponga el interruptor de estación **Conmutadores Deslizantes de Duración Del Riego** en posición **ACTIVAR MANUAL**. La pantalla muestra **ACTIVAR MANUAL** y el número de la estación activada. [Figura 15]
3. Para desactivar el riego manual, ponga el **Conmutadores Deslizantes de Duración Del Riego** en posición **DESACTIVAR MANUAL**
4. Recuerde devolver el **Conmutadores Deslizantes de Duración Del Riego** a la posición previa para el funcionamiento automático

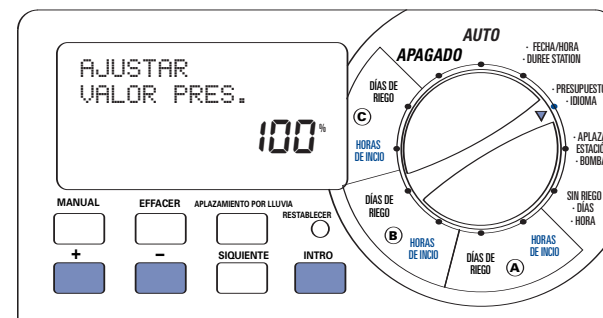


Ilustración 14: Ajuste de la "Estimación del agua"

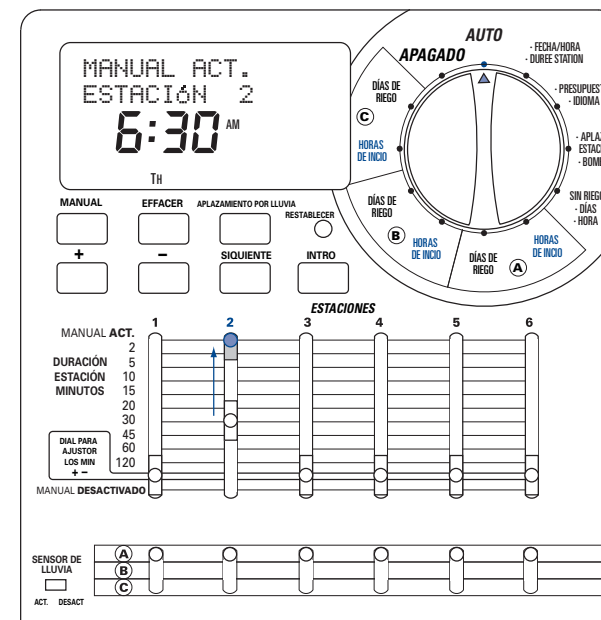


Ilustración 15: Riego manual en una estación

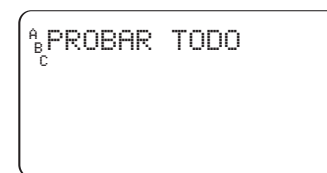


Ilustración 16: Pantalla – "Ciclo de prueba" seleccionado

UNA ESTACIÓN – CON DURACIÓN DE RIEGO

1. Siga los pasos 1 y 2 descritos
2. Ponga el **Conmutadores Deslizantes de Duración Del Riego** de la estación en la posición de duración de riego deseada
3. Una vez completado el riego, recuerde devolver el **Conmutadores Deslizantes de Duración Del Riego** a la posición previa para el funcionamiento automático.

B. Varias estaciones

Esta opción se utiliza normalmente en condiciones atmosféricas secas o excepcionalmente secas. Esta opción le permite regar manualmente sin ajustar ni reajustar los **Conmutadores Deslizantes de Duración Del Riego**.

PRUEBA MANUAL

Esta opción le permite operar cada estación durante 1 minuto para confirmar que todas las estaciones funcionan correctamente.

Para ejecutar un ciclo de prueba:

1. Asegúrese de que el dial está en posición **AUTO**
2. Pulse una vez el botón **MANUAL** [Ilustración 6]
3. Pulse **INTRODUCIR** para comenzar y **EFFACER** para detener el ciclo de prueba

Nota: Esta función activará todas las estaciones, incluso aquellas con el control deslizante en la posición off (apagado) manual.

VARIAS ESTACIONES - RIEGO DE TODAS LAS ESTACIONES A LA VEZ

Esta opción puede ser especialmente práctica si hace un calor inusual. En cada estación se riega una vez, en secuencia, según el ajuste de duración del riego de cada estación.

Nota: Los ajustes del programa (A, B o C) no se ven afectados si una estación riega o no. Si no desea regar con una estación, mueva el **Conmutadores Deslizantes de Duración Del Riego** a la posición **DESACTIVAR MANUAL**.

1. Asegúrese de que el dial está en posición **AUTO**
2. Pulse una vez la tecla **MANUAL**
3. Pulse el botón **SIGUIENTE** hasta que aparezca en la pantalla "A B C Extra TODO" [Ilustración 17]
4. Para activar el riego manual, pulse **INTRODUCIR** antes de que transcurran 30 segundos

5. Para activar o detener este ciclo, pulse la tecla **EFFACER**

Tras completar esta función, el programador de riego regresa a su plan de riego automático habitual.

Nota: Si arranca un funcionamiento manual durante un ciclo de programa automático, el programa automático será cancelado.

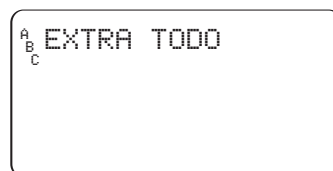


Ilustración 17:

Pantalla con el riego manual para todos los programas y todas las estaciones activas

VARIAS ESTACIONES – RIEGO SÓLO DE LAS ESTACIONES PARA UN SOLO PROGRAMA (A, B O C)

Para este ejemplo, regaremos todas las estaciones asignadas al programa B. Este procedimiento es igual para los programas A y C.

1. Asegúrese de que el dial está en posición **AUTO**
2. Pulse una vez la tecla **MANUAL**.
3. Pulse el botón **SIGUIENTE** hasta que aparezca en la pantalla “B Extra TODO” [Ilustración 18]
4. Para activar el riego manual, pulse **INTRODUCIR** antes de que transcurran 60 segundos.
5. Para activar o detener este ciclo, pulse la tecla **EFFACER**

Nota: En este ejemplo, las estaciones asignadas al programa “B” regarán una a una consecuentemente.

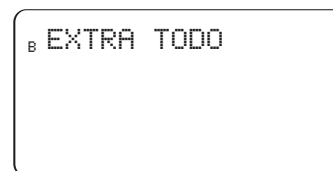


Ilustración 18:

Pantalla con riego manual seleccionado para las estaciones asignadas al programa B

Sección 6: Funciones adicionales

Sin riego (No watering)

La opción “sin riego” le permite indicar los días de restricción de riego y la duración (hora) de la restricción impuesta en su zona. Esta función evita que se produzca el riego durante los días y las horas en que hay restricción de riego.

DÍAS DE LA SEMANA “SIN RIEGO”

Una vez introducidos los días de restricción de agua, todos los programas de riego planificados para dicho día quedarán cancelados.

Para programar el “Día sin riego”:

1. Gire el dial hasta la posición **SIN RIEGO**
2. Pulse **SIGUIENTE** hasta que el día de la semana parpadee y pulse **EFFACER**. [Ilustración 19]

Nota: Los días indicados como días sin riego **NO** se acompañan de un icono

3. Repita el paso 2 hasta que el icono de la gota de agua desaparezca de todos los días restringidos.
4. Para eliminar una restricción de “Sin riego” de un determinado día, pulse la tecla **SIGUIENTE** hasta que dicho día parpadee y, a continuación, pulse **INTRODUCIR**.

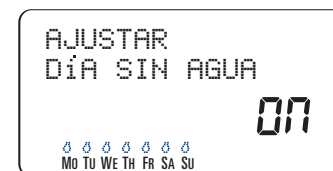


Ilustración 19: Pantalla – “Día sin agua”

“HORA/PERÍODO SIN RIEGO”

Cuando haya introducido un período de restricción, todos los programas comprendidos en ese período de restricción de agua cambiarán al día o la hora sin restricción.

Para programar “Hora/Período sin riego”

1. Gire el dial hasta la posición **SIN RIEGO**
2. Pulse el botón **APLAZAMIENTO POR LLUVIA** [Figura 20]
3. Indique la hora de inicio del “Período sin riego” mediante las teclas **+** y **-**, y pulse **INTRODUCIR** para aceptar el ajuste.
4. A continuación, indique la hora de fin del “Período sin riego” mediante las teclas **+** y **-**, y pulse **INTRODUCIR** para aceptar el ajuste.
5. Ponga el dial en posición **AUTO**.

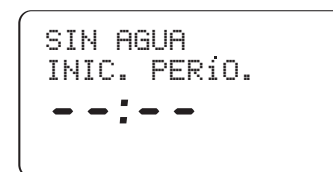


Ilustración 20: Pantalla – “SIN AGUA INIC. PERÍO”

Ajuste de la válvula maestra o inicio con bomba

Este programador de riego permite a cada estación funcionar con o sin bomba. Si una estación está programada para operar con bomba, ésta comenzará a funcionar dos segundos antes de que lo haga la estación.

Nota: Para que la bomba funcione, se requiere un relé de inicio con bomba. (de venta aparte)

PARA ACTIVAR EL “INICIO CON BOMBA” PARA CADA ESTACIÓN:

1. Gire el dial hasta la posición **BOMBA**.
2. Pulse el botón **APLAZAMIENTO POR LLUVIA** [Figura 21]
3. Si desea activar la bomba para la estación visualizada en pantalla, pulse **INTRODUCIR**
4. Si **NO** desea activar la bomba para la estación visualizada en pantalla, pulse **EFFACER**.
5. Pulse **SIGUIENTE** para avanzar hasta la siguiente estación.
6. Gire el dial para abandonar este ajuste

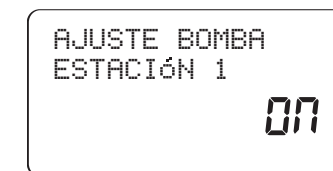


Ilustración 21: Pantalla – Inicio con bomba activo para la estación 1

Aplazamiento en estación (Station Delay)

Esta función se utiliza comúnmente junto con cisternas o pozos acuíferos. El retraso permite a las cisternas y a los pozos adecuar el tiempo de relleno.

Nota: Los aplazamientos entre las estaciones pueden ser programados desde 1 minuto hasta 9 horas.

PARA PROGRAMAR UN APLAZAMIENTO DE ESTACIÓN:

1. Gire el dial a la posición • **APLAZA. ESTACIÓN** [Ilustración 22]
2. Para aumentar o reducir el tiempo de retraso entre cada estación, pulse **+ o -**
3. Pulse **INTRODUCIR** para guardar el ajuste de retraso de la hora
4. Ponga de nuevo el dial en posición **AUTO**

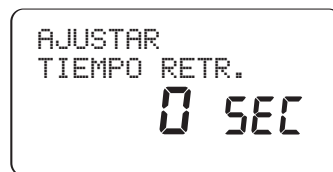


Ilustración 22: Pantalla – Aplazamiento en estación

Sección 7: Instalación del programador de riego en interiores

Antes de la instalación, tenga los siguientes objetos y herramientas disponibles:

- 2 pilas AA
- Un destornillador Phillips
- Pelador de cables

Instalación del programador de riego en 5 sencillos pasos:

1. Seleccionar un lugar
2. Montar el programador de riego

3. Instalar las pilas
4. Conectar el suministro eléctrico
5. Conectar los cables de la válvula en el programador de riego

Nota: Para la instalación de los **MODELOS DE EXTERIOR**, consulte el Apéndice A

1. Seleccionar un lugar

Seleccione una ubicación siguiendo los siguientes criterios:

- Cerca de una toma eléctrica (evite una toma de electricidad con interruptor)
- El espacio interior debe ser seco, donde la temperatura de operación no sea inferior a 0° C ni superior a 70° C (32° F - 158° F)
- Evite la luz directa del sol
- Accesibilidad al cable del programador (desde las válvulas)

2. Montar el programador de riego

- Con la plantilla de montaje (incluida), marque en la pared los puntos de fijación.
- Inserte un tornillo N° 8 (incluido) en la marca superior, dejando la cabeza del tornillo unos 3 mm (1/8") sobresaliendo de la pared. (En caso necesario, utilice las anclas de expansión en la pared de yeso o de mampostería)
- Cuelgue la ranura en forma de cerradura en la parte trasera del programador de riego del tornillo de expansión. [Figura 23]
- Inserte un tornillo N° 8 en ambos orificios detrás de las pilas, en el compartimento de las pilas.

3. Instalar las pilas

Para conservar el programa en la memoria durante un corte eléctrico, se requieren dos pilas alcalinas AA. Es recomendable cambiar las pilas anualmente.

- Extraiga la tapa del portapilas deslizándola hacia la izquierda. [Figura 24]
- Inserte dos pilas alcalinas AA

- Coloque de nuevo la tapa del portapilas

Nota: Las pilas no activan las válvulas en el sistema de riego. Deberá conectar un transformador de 24 voltios y disponer de corriente eléctrica para operar su sistema de riego normalmente.

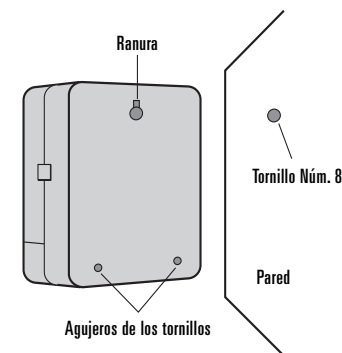


Ilustración 23: Ponga a cero el temporizador de riego

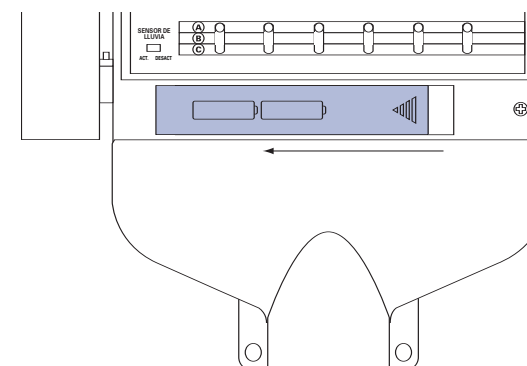


Ilustración 24: Compartimento de pilas

4. Conectar el transformador

- Sin la tapa, busque los dos orificios terminales marcados como "24VAC IN". [Ilustración 25]
- Asegúrese de que el transformador no esté conectado a la red; inserte uno o dos cables eléctricos (desde el transformador) en cada terminal

Nota: Es posible que tenga que abrir el terminal para poder insertar o extraer el cable. Para ello, levante la pestaña situada en la parte superior del terminal.

- Conecte el transformador.

Advertencia: No conecte dos o más programadores de riego en un solo transformador.

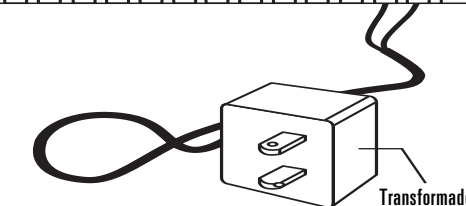
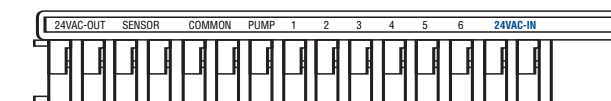


Ilustración 25: Conexión del transformador

Sección 8: Conexión de válvulas, programador de riego, inicio con bomba y válvulas maestras

1. Cableado de las válvulas eléctricas

Nota: Si la distancia entre el programador de riego y las válvulas es menor de 210 m (700'), utilice un cable de riego Orbit® o un cable de termostato con toma de plástico de 20 gauges (según la escala de diámetros americana AWG) para conectar el programador de riego con las válvulas. Si la distancia es mayor de 210 m (700'), use un cable de 16 gauges (según AWG).

- Sujete el cable del programador, pele 12 mm (1/2") del plástico aislante en el extremo de cada uno de los cables.
- Conecte un cable de cada válvula (no importa qué cable) con un cable del programador marcado como "Común" (normalmente blanco). [Ilustración 26]

Importante: todos los cables deben estar unidos mediante una tuerca para empalme, un soldador o cinta aislante. Para más protección de las conexiones resistentes al agua, puede utilizar un tapón de grasa Orbit®.

- Una el cable restante de cada una de las válvulas con un cable del programador de distinto color
- Para evitar peligros de electrocución, debe conectar una sola válvula en cada estación

Importante: Puede enterrar el cable en el suelo, aunque, para mayor protección, puede pasar los cables por un tubo de PVC y enterrar éste. Procure evitar enterrar los cables en tierra donde puedan ser perforados o trinchados en un futuro.

2. Conectar los cables de la válvula en el programador de riego

- Retire la tapa del compartimento terminal.
- Pele 6 mm (1/4") del plástico aislante por el extremo de cada cable.

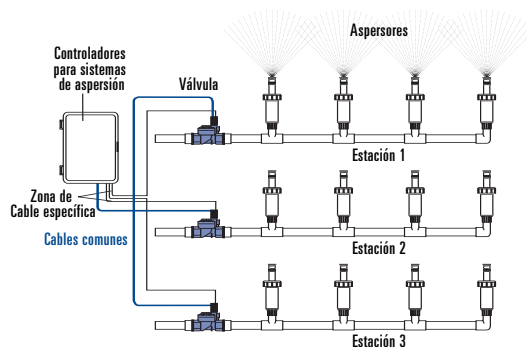


Figura 26: Conexión de los cables del programador en las válvulas

- Determine qué válvula desea conectar y en qué estación. Conecte cada cable del programador (excepto el cable "Común") en un terminal de estación individual (numerado sobre la pestaña azul). Para ello, inserte el trozo de cable pelado completamente en el orificio debajo de cada pestaña. [Figura 27].
- Es posible que tenga que abrir el terminal para poder insertar o extraer el cable. Para ello, simplemente levante la pestaña situada en la parte superior del terminal.
- Conecte el cable común en el terminal (de color blanco), marcado como "COMMON".

Nota: Inserte solamente un cable en cada terminal. Si requiere más de dos cables comunes, junte varios para formar un solo cable y que éste pase por cada uno de ambos terminales "Comunes". Proteja la junta de los cables con una tuerca de empalme.

3. Bomba de arranque y válvula maestra

Este programador de riego permite el funcionamiento de una válvula maestra o un relé de inicio con bomba, si la estación está activada.

Nota: Si activa una bomba desde este programador, necesitará utilizar un relé de bomba de arranque.

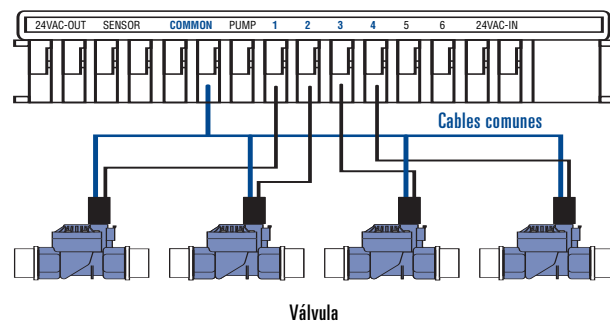


Ilustración 27: Conexión del cable del programador

Desde el relé de la bomba de arranque (o válvula maestra), conecte un cable en el terminal "PUMP" (bomba) y otro cable en el terminal "COMMON". [Figura 28]

Sección 9: Diagnósticos del interruptor de circuito

Sensor de fallos de diagnóstico Smart-Scan®

Un sensor de fallos de diagnóstico busca automáticamente la presencia de un solenoide defectuoso o un cable roto en una válvula durante cada secuencia de riego. Si se detecta una estación defectuosa, el programador de riego pasará a la siguiente estación. Smart-Scan® también detecta un cable deteriorado para la bomba o el control principal. Para la detección, se detiene el ciclo de riego.

Notificación de averías

- Estación defectuosa – en la pantalla aparece "FALLO STN" y el número de estación. Nota: Si se detectan varias estaciones defectuosas, sólo se mostrará la última estación averiada.
- Cable deteriorado para bomba o control principal – Aparece "FALLO BOMBA"

Corrección del fallo:

1. Primero, repare la rotura en el cable o recambie el solenoide defectuoso.
2. Pruebe la estación ejecutando una secuencia de riego manual.
3. Si, tras unos segundos, no se detecta un fallo, el mensaje error desaparecerá
4. Si el mensaje persiste, todavía existe un cable roto.

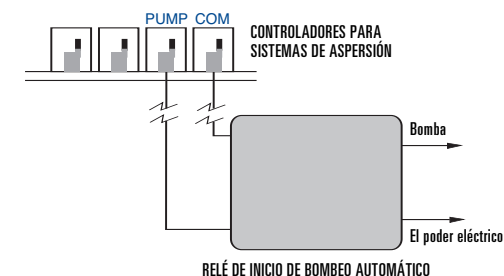


Ilustración 28:
Conexión de la bomba de arranque o de la válvula maestra

Interruptor de circuito electrónico interno de autorreajuste

El programa del riego dispone de un interruptor de circuito electrónico interno de reajuste automático.

Las causas posibles de un fallo en el interruptor de circuito son:

1. La luz se corta en su proximidad.
2. Cuando el suministro eléctrico sufre un pico.
3. Si una estación tiene un cable roto.

Si ocurre alguna de estas situaciones, el interruptor de circuito electrónico puede fallar, causando un fallo en la estación en el programador de riego que provocaría una parada momentánea. Las pilas continúan funcionando para almacenar la información del programa y activar la pantalla LCD. Tras unos momentos, el programador de riego comprueba automáticamente que la situación de fallo en el interruptor de circuito ha desaparecido. En tal caso, el interruptor de circuito se reajustará.

Sección 10: Solución de problemas

	Síntoma	Causa	Corrección
Pantalla LCD	REAJUS. ENC.	Variación eléctrica	Vea la página 25
	FALLO STN	Solenoid defectuoso	Recambie
		Cable de riego roto	Compruebe las conexiones del cable
	FALLO BOMBA	Cable de riego hacia la bomba deteriorado o roto	Compruebe que los cables del programador no estén deteriorados; recambie, en caso necesario
	SIN VCA	El transformador no está conectado (modelos de interior)	Asegúrese de que el transformador está bien conectado
		El cableado permanente no está (correctamente) conectado (modelos de exterior)	Vea la página 43
	Pantalla LCD (parcialmente) en blanco	No hay suministro de corriente central	Compruebe el interruptor de circuito o el fusible
Las pilas están gastadas, no hay pilas en el compartimento o no hay suministro eléctrico		Cambie las pilas y compruebe la corriente	
	El botón RESTABLECER debe ser accionado	Introduzca de nuevo los programas	
Problemas de riego	Una o más estaciones no están encendidas	Programación incorrecta	Vea la página 27
		La retención del control de flujo en la válvula está apagada	Controle la válvula
		El Conmutadores Deslizantes de Duración Del Riego está activado para apagado manual " DESACTIVAR MANUAL "	Deslice el conmutador a una posición de duración de riego
		El Conmutadores Deslizantes de Duración Del Riego está en posición de ajuste del dial por minuto " DIAL PARA AJUSTOR LOS MIN "	Indíquese una duración de riego (Vea la página 30) o deslice el conmutador a una posición de duración de riego
		Conmutadores Deslizantes de Duración Del Riego no corresponde al Programa (A, B, C)	Ponga el conmutador de programa en posición del programa correcto
		El cable de riego no está conectado en el programador o la válvula	Conecte el cable
		El dial no está en posición " Auto "	Ponga el dial en Auto
		El sistema de suministro de agua no entrega agua	Asegúrese de que la válvula principal está activada
	Las estaciones se activan cuando no deberían	Demasiada presión de agua	Monte un reductor de presión
		Ha programado más de una hora de inicio o existen horas de inicio o programas coincidentes	Revise la programación (Vea la página 27)
		El programa de restricción de agua bloquea el paso de agua	Vea la página 34
		La función de aplazamiento en estación APLAZA. ESTACIÓN está activada	Vea la página 36
	Una estación se desactiva	El Conmutador deslizante de Duración de riego está activado en modo manual " ACTIVAR MANUAL "	Deslice el conmutador deslizante de Duración de riego en la posición " DESACTIVAR MANUAL "
La pantalla LCD muestra el programa en ejecución, pero el riego no está activado	La válvula puede estar obturada por suciedad	Limpie la válvula	
	El interruptor de derivación con sensor de lluvia está encendido (ON) pero no hay ningún sensor de lluvia conectado	Apague el interruptor con sensor de lluvia (OFF)	

Ayuda Glosario de términos

TÉRMINO	DEFINICIÓN
Controlador	Vea el programador de riego.
Hora de inicio del ciclo	La hora en que el programa comienza el riego en la primera estación.
Válvula de irrigación, Automática	Utilizada junto con los programadores de riego; resulta una práctica manera de suministrar en huertos, plantas y jardines.
Válvula maestra	Una válvula que evita que el agua llegue a las "Válvulas de estación".
Diversas horas de inicio	Función que permite ejecutar un programa varias veces al día.
Programas superpuestos	Ocurren cuando se ajusta una "Hora de inicio" antes de haber completado el programa anterior.
Programa (A, B o C)	Consiste en una o más "Horas de inicio", una "Opción de riego" (Días de la semana, Intervalo o Días pares/impares) y el producto que las estaciones van a regar.
Aplazamiento por lluvia	Función que evita que el programador de riego ejecute su programa de riego planificado durante u cierto lapso de tiempo.
Solenoid	Parte eléctrica de un válvula de irrigación que abre y cierra la válvula.
Programador de riego	Dispositivo responsable de activar y desactivar un sistema de irrigación automático.
Estación	Un área donde la irrigación es controlada completamente por una sola válvula de control.
Válvula	Vea Válvula de irrigación.
Opción de riego	Consiste en la opción Días de la semana, Intervalo o Días pares/impares que se utiliza en la programación.
Programa de riego	Vea Programa
Restricción de riego	Días específicos u horas en que el organismo municipal competente prohíbe el riego en la zona.
Zonas	Vea Estación

Apéndice A: Instalación del programador de riego en interiores y exteriores

1. Seleccione un lugar

Seleccione una ubicación siguiendo los siguientes criterios:

- Cerca de una fuente eléctrica (con cable) o toma eléctrica (sólo con programadores de venta en los EE.UU.)
- El sitio debe ser seco, donde la temperatura de operación no sea inferior a 0° C ni superior a 70° C (32° F - 158° F).
- Un sitio donde queden, al menos, 18 cm (7") de espacio en el lateral izquierdo del programador de riego, para que se pueda abrir la puerta tras la instalación.

Nota: Los programadores de riego son resistentes al agua, de acuerdo con la normativa UL-50 y la lista ETL®, aunque no debe colocar el aparato en zonas donde un continuo contacto con el agua pueda causar daños.

- Evite la luz directa del sol
- Accesibilidad al cable del programador (desde las válvulas)

Precaución: No abra el programador de riego cuando esté lloviendo.

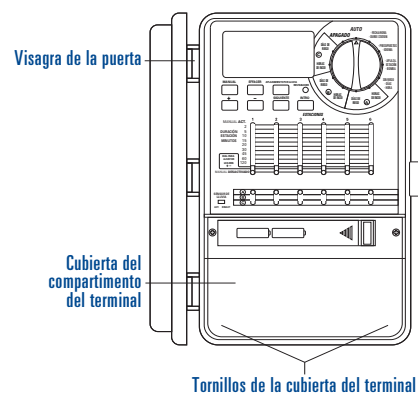


Ilustración A1: Tapa del terminal

2. Montaje del programador de riego

- Con la plantilla de montaje (incluida), marque en la pared los puntos de fijación.
- Inserte un tornillo N° 8 (incluido) en la marca superior, dejando la cabeza del tornillo unos 3 mm (1/8") sobresaliendo de la pared. (En caso necesario, utilice las anclas de expansión en la pared de yeso o de mampostería)
- Extraiga la "Tapa del terminal" destornillando los dos tornillos y empujando la tapa de plástico, descubriendo la "Placa inferior CA". [Ilustración A1]
- Extraiga el tapón de goma de la "Placa inferior CA". [Ilustración A2]
- Cuelgue la ranura en forma de cerradura en la parte trasera del programador de riego del tornillo. [Ilustración A3]
- Asegúrese de que el programador está nivelado, inserte un tornillo N° 8 (incluido) en la depresión central (situada en el orificio donde se encontraba el tapón de goma) y apriételo (sin pasarlo de rosca) hasta que la caja esté bien fija en la pared

Para facilitar la instalación, el programador de riego dispone de una puerta extraíble.

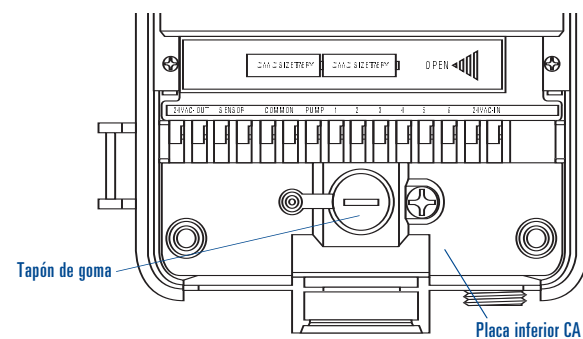


Ilustración A2: Placa inferior CA

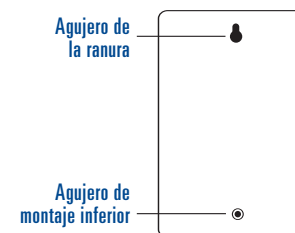


Ilustración A3: Parte trasera del programador de riego

3. Conexión a la toma eléctrica

Precaución: Para una instalación al aire libre, es recomendable que un electricista cualificado realice el cableado según los códigos eléctricos y las normativas. Cuando utilice este programador al aire libre, use un circuito con interruptor diferencial automático de seguridad (GFI).

Compruebe el número del modelo de su programador de riego: para cumplir los requisitos nacionales, algunos modelos se configuran de distinta manera. Puede leer el número del modelo en la parte trasera de la caja, además de información práctica.

ANOTE EL MODELO Y CONSULTE LA SECCIÓN CORRESPONDIENTE

Modelos 57396, 57392, 57384, 57386, 57388, 57382

- Siga en la siguiente sección: [Cable de conexiones](#).

Modelos 57606, 57012, 91016, 91012

- Para un montaje en interior, siga en la sección [Instalación del cable de conexiones](#)
- Para un montaje en exterior, siga en la sección [Preparación para un cableado permanente](#)

Modelos 57344, 57346, 57348, 57342, 94022, 94026, 94028

- Vaya a la sección ["Cableado permanente"](#)

INSTALACIÓN DEL CABLE DE CONEXIONES

- **Ubicaciones en interior** – Enchufe el cable en la toma eléctrica con interruptor diferencia automático de seguridad (GFI)

- **Ubicación en exterior** – Enchufe el cable en una toma eléctrica con interruptor diferencia automático de protección (GFI) conectada a un circuito GFI.
- Continúe en la página 37 de la Sección 8

PREPARATIVOS PARA EL CABLEADO PERMANENTE

- Extraiga la "Tapa del terminal" destornillando los dos tornillos y empujando la tapa de plástico, descubriendo la "Placa inferior CA". [Ilustración 30]
- Retire la "Tapa de la placa inferior CA" soltando el tornillo ubicado a la derecha del tapón de goma.
- Afloje el tornillo en el reductor de tensión del cable y los tres tornillos en el bloque del terminal y extraiga completamente el cable de conexión. [Ilustración A4]
- Introduzca los tres cables trenzados por la "boquilla de salida", por debajo del "reductor de cable" y por el bloque del terminal. Conecte los cables en el "bloque del terminal" de la siguiente manera:
 - Cable negro "trenzado" – Conectado en el terminal "L" (fase)
 - Cable blanco "trenzado" – Conectado en el terminal "N" (neutro)
 - Cable verde "trenzado" – Conectado en el terminal "E" (masa)
- Asegúrese de que los tornillos del terminal y el tornillo reductor de tensión están firmemente atornillados.
- Cambie la placa inferior CA y apriete el tornillo (no fuerce demasiado; cuando halle resistencia, compruebe que los cables no están aprisionados)
- Continúe en "Instalación con cableado permanente"

INSTALACIÓN CON CABLEADO PERMANENTE

Importante: El programador de riego dispone de un transformador que debe ser conectado a una fuente de corriente alterna (CA). Lea los requisitos eléctricos del programador de riego en la parte trasera de la caja. La construcción local y los códigos eléctricos requieren, normalmente, que un electricista certificado realice el cableado y las conexiones eléctricas necesarias para conectar el equipo montado en una pared exterior en una toma eléctrica. Verifique los códigos locales. De acuerdo con los requisitos del código eléctrico nacional (National Electrical Code) y otros eventuales códigos locales y estatales, toda conexión permanente debe ser realizada por un electricista certificado.

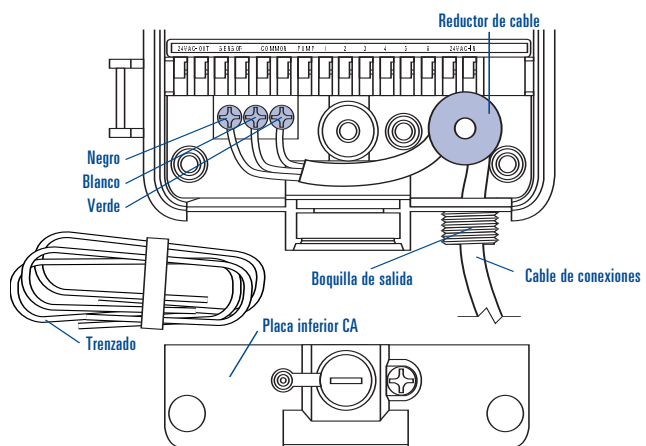


Ilustración A4: Extracción del "Cable de conexión"

Precaución: No conecte el programador de riego en una toma de una fase en un sistema eléctrico trifásico que utilice una bomba u otro equipo eléctrico.

Importante: Este programador de riego dispone de una conexión eléctrica externa con "boquilla de salida". Use esta boquilla NPT de 13 mm (1/2") para conectar el programador de riego en una caja de conexiones eléctricas normal (Lista UL o equivalente o según las normas CEI y EN o equivalentes).

- Corte el paso eléctrico en el interruptor de circuito eléctrico y bloquee de manera segura y adecuada. Verifique que no hay suministro eléctrico hacia el lugar de instalación; para ello, mida con un voltímetro de VCA.
- Use un cable de alimentación de 14 gauges (según AWG), como mínimo, con un margen de temperatura a partir de 68° C. (155° F)
- Instale el cableado y las conexiones correspondientes. Conecte el cable eléctrico en la fuente CA siguiendo los códigos y las normativas adecuados.
- Conecte la caja de uniones (no incluida) en la boquilla NPT. [Ilustración A5]

- Conecte el cableado de la fuente eléctrica en la toma de la caja de uniones, de acuerdo con los códigos adecuados.
- Conecte los cables de la fuente en los cables de alargo en el programador de riego
- Procure seguir el correcto código de color. Para EE.UU.: conecte el cable verde en masa (Ground), el negro en fase (Live) y el blanco en neutro (Neutral). A menudo, la conexión fuente a tierra puede ser un conductor de cobre pelado, en lugar del cable verde. Para Europa: Fase (Live) es marrón y neutro (Neutral) es azul; no se requiere conexión a tierra. Asegúrese de que todos los cables están conectados en el cable fuente adecuado
- Compruebe de que todas las conexiones se realizan con conectores aislados y codificados correctamente
- Coloque una junta resistente al agua y tape la caja de uniones.
- Continúe en la página 37 de la Sección 8

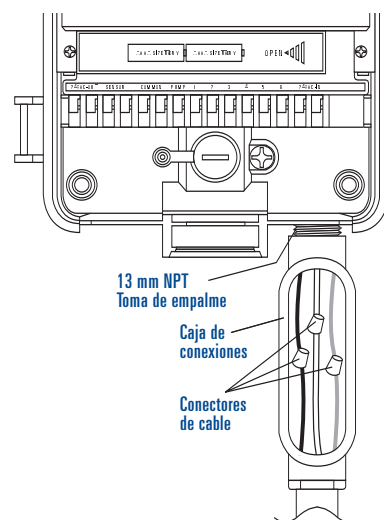


Ilustración A5: Uso de una caja de uniones

Apéndice B: Sensor de lluvia y conmutador de derivación del sensor de lluvia (Sensor de venta por separado)

Puede conectar en el controlador un sensor de lluvia u otro tipo de sensor atmosférico de microconmutación. El objetivo del sensor es detener el riego cuando la precipitación es suficiente.

CONEXIÓN DE UN SENSOR DE LLUVIA

- Conecte los cables del sensor de lluvia en los puertos terminales del cableado (de color amarillo) marcado como "Sensor". [Ilustración B1]

Nota: Para instrucciones específicas del cableado, consulte el manual de su sensor de lluvia.

- Para comenzar la operación, encienda el sensor con el interruptor ("on").

DERIVACIÓN DEL SENSOR DE LLUVIA

Este programador de lluvia dispone de un conmutador de encendido (on/off) para anular la función del sensor. Este conmutador se utiliza durante tareas de mantenimiento y reparación, de manera que el temporizador puede funcionar incluso si el sensor de lluvia está en modo activo.

IMPORTANTE: Si el conmutador con sensor de lluvia está activado ("on") y no se ha conectado ningún sensor, el programador de riego no funcionará. Para reanudar la función del controlador, ponga el conmutador en posición de apagado (off).

Terminales de salida de 24 voltios

Orbit® Irrigation ha equipado este programador de riego con terminales de salida de "24 VCA OUT". De este modo, se consigue una conexión de 24 voltios directa en el sensor, evitando así la necesidad de una fuente eléctrica aparte. No se trata de un terminal de entrada, por lo que no debe ser usada con un sensor ambiental.

Precaución:

1. Antes de conectar el sensor en los terminales de salida de 24 VAC, apague el suministro eléctrico del controlador.
2. Conecte solamente sensores de 24 voltios. Si conecta un dispositivo que no sea de 24 voltios, puede dañar el controlador y el sensor.
3. Consulte con el fabricante del sensor que está utilizando.

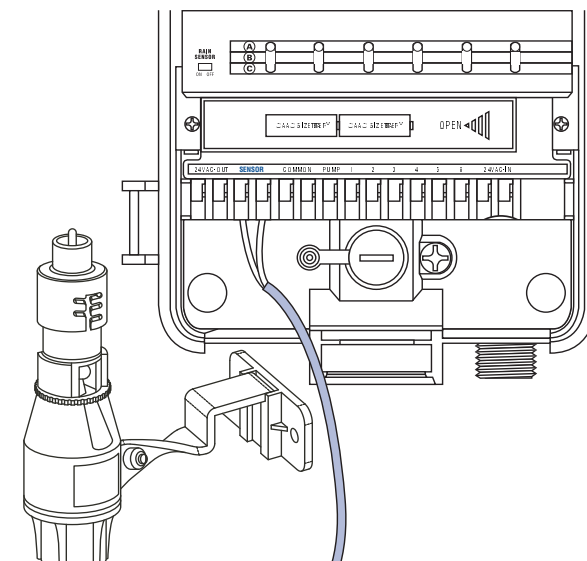
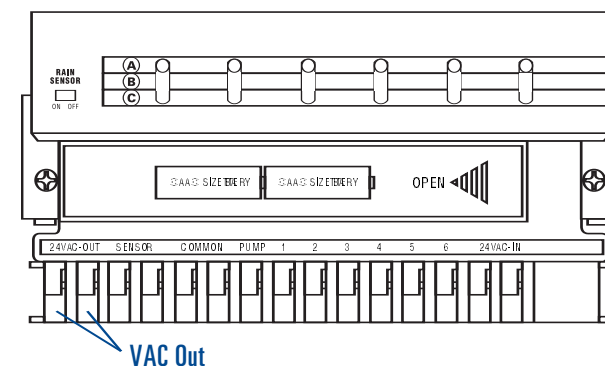


Ilustración B1: Conexión del sensor de lluvia



VAC Out

Consejo

Antes de devolver este controlador a la tienda, contacte con el Servicio técnico de Orbit® llamando al: 1-800-488-6156, 1-801-299-5555

Listados

El controlador ha sido probado según las normativas UL-1951 (Modelos 57004, 57006, 57008, 57122) y UL-50 (Modelos 57606, 57012) y aparece en la lista ETL®. Los modelos CSA® y CE® son modelos aprobados para uso internacional..

Nota sobre la marca comercial

Control Star® y Smart-Scan® son marcas comerciales registradas de Orbit® Irrigation Products, Inc. La información contenida en este manual sirve, en primera instancia, para que el usuario pueda establecer un plan de riego e introducir dicho plan en el programador. Este producto debe ser usado como controlador temporizador automático para activar válvulas de irrigación de 24 VCA, como se describe en este manual.


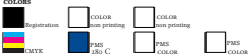
Garantía limitada de Orbit® Irrigation durante seis años

Orbit® Irrigation Products, Inc. garantiza a sus clientes que sus productos no sufrirá ningún fallo de material ni fabricación durante seis años a partir de la fecha de compra..

Hasta una período de seis años tras la fecha de compra (se requiere comprobante de compra), reemplazamos, sin costes, las piezas defectuosas durante un funcionamiento normal

Antes de recambiar la pieza, nos reservamos el derecho a inspeccionar la pieza defectuosa en cuestión. Orbit® Irrigation Products, Inc. no asume ninguna responsabilidad por daños o costes incidentales o derivados de un fallo del producto. La responsabilidad de Orbit® respecto a esta garantía se limita únicamente al recambio o la reparación de piezas defectuosas.

Para hacer uso de esta garantía, devuelva la unidad a su vendedor, con una copia del recibo de compra.

 <p>FLUID</p> <p>P 801.295.9820 F 801.951.5815 www.fluid-studio.net 1665 South 500 West Bountiful, Utah 84010</p>	PROOF NO: 1 DATE: 2.07.07 DES: RA SFCK: RA JOB NO: 07WTM002887 CLIENT: ORBIT SKN: 57004-24 UPC: NA FILE NAME: 07WTM002887 57004-24 rJ.qxd SOFTWARE: QUARK 6.5	DIMENSIONS: FLAT: W: 7.25 H: 6.25 FINISHED: W: 7.25 H: 6.25 D: XX COLORS: 	Printers are responsible for meeting print production requirements. Any changes must be approved by the client and Fluid Studio. Printed piece NOT MEET DESIGNATED SPECIFICATIONS ON THIS FORM.
	ADDITIONAL INSTRUCTIONS: .		

