

DAVEY EcoPure®

MAINTAIN A CLEAN
AND SAFE SWIMMING
ENVIRONMENT

APPLICATION

Ideal for in-ground and above ground swimming pools up to 200,000 litres.



ECOPURE HIGH PERFORMANCE CARTRIDGE FILTERS

- > Suitable for all pools and spas, fresh or salt water
- > Compact, durable A.B.S. tank with UV resistance for long service life
- > Easy access to cartridge element via heavy duty locking ring
- > Quick connect 40mm A.B.S. barrel unions supplied for ease of installation
- > Auto air bleed for removal of trapped air inside filter eliminating the need for manual bleeding
- > No backwashing of filter required
- > Quality pressure gauge makes it easy to see when element cleaning is required
- > Cartridge element constructed of Du Pont Reemay – recognised for its excellent filtration and long life



Depend on Davey

DAVEY

EcoPure

Cartridge Filters

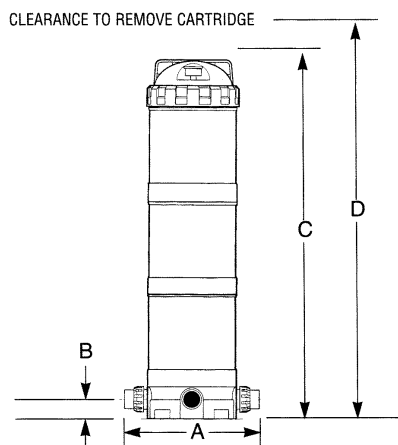


- Quality pressure gauge for monitoring of filtration performance
- Automatic air bleed purges trapped air during filtration
- High quality Du Pont polyester mesh with pleats for easy cleaning and long filtration cycles
- A.B.S. tank construction is robust, UV resistant and non-corrosive for long life
- A.B.S. barrell unions for quick connection and easy installation

PERFORMANCE DATA & MEDIA REQUIRED	Model	Filtration Area (m ²)	Filtration Area (ft ²)	Maximum Flow Rate (lpm)	6 Hour Turnover* (litres)	8 Hour Turnover** (litres)
	Q2203MN	9.29	100	400	144,000	192,000
Q2204MN	13.93	150	490	176,400	235,200	

* Figure based on 6 hour turnover @12.5m head. **Figure based on 8 hour turnover @12.5m head.

DIMENSIONS (mm)



Model	A	B	C	D	Inlet PVC	Outlet PVC
Q2203MN	410	50	715	1200	40/50*	40/50*
Q2204MN			895	1555		

*40/50mm tail on unions allow connection of a DN40 PVC pipe or into the socket/collar of a DN50 PVC pipe.

OPERATING LIMITS

Maximum water temperature	45°C
Maximum operating pressure	280kPa

REPLACEMENT FILTER

Model	Replacement Filter P/N
Q2203MN	Q2227
Q2204MN	Q2228

davey.com.au | daveynz.co.nz | daveyeurope.eu | daveyusa.com

This literature is not a complete guide to product usage. All images provided in this document are for illustration purposes only. Further information is available from your Davey Dealer, Davey Support Centre and from the relevant product Installation and Operating Instructions. Must be read in conjunction with the relevant product Installation and Operating Instructions and all applicable statutory requirements. Product specifications may change without notice. © Davey is a registered trademark of Davey Water Products Pty Ltd. © Davey Water Products Pty Ltd 2017.

DAVEY

Depend on Davey