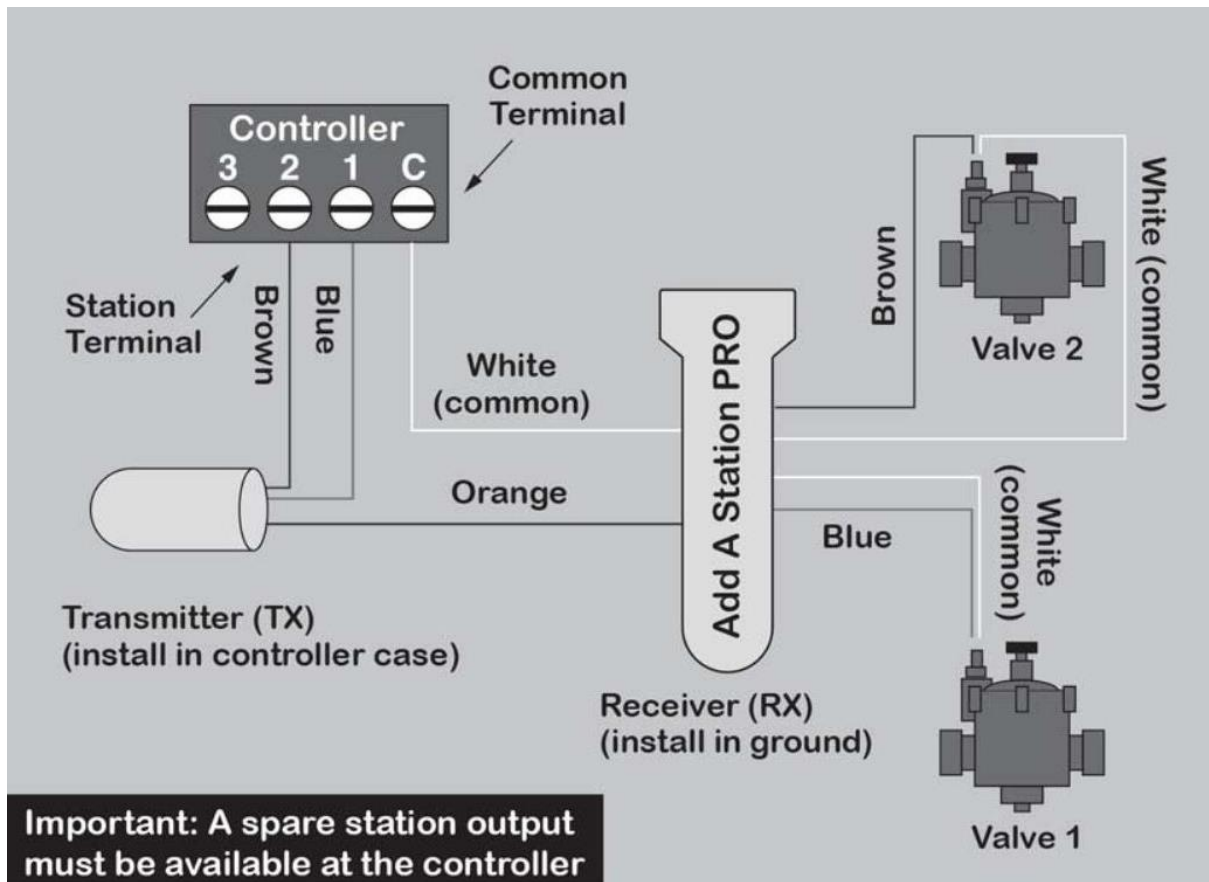


ADD-A-STATION



Installation Instructions: Transmitter

(TX) – (installs in controller cabinet)

1. Connect Blue (one-1) wire to existing station output.
2. Connect Orange (active) wire to existing field wire.
3. Connect Brown (two-2) wire to the unused station output.

Receiver (RX) – (bury in ground where convenient)

1. Connect Blue (one-1) wire to one valve.
2. Connect Brown (two-2) wire to second valve.
3. Connect White wires to exiting common wires.
4. Connect Orange (active) to existing field wire.

NOTE: If the Transmitter (TX) does not work on your controller, this will be because the electronic fuse settings & power output capacities can vary greatly from product to product.