

Metforge[®]

brassware

Y STRAINERS

WYS

Series

Specifications

- Working temperature 99°C
- Maximum operating temperature 0°C - 99°C
- Working pressure 2000kPa
- Mesh Size
 - 15MM-25MM 350 Micron
 - 32MM-50MM 500 Micron

Features

- DR Brass
- Watermarked
- Manufactured and tested in accordance with AS3688
- SS304 Filter

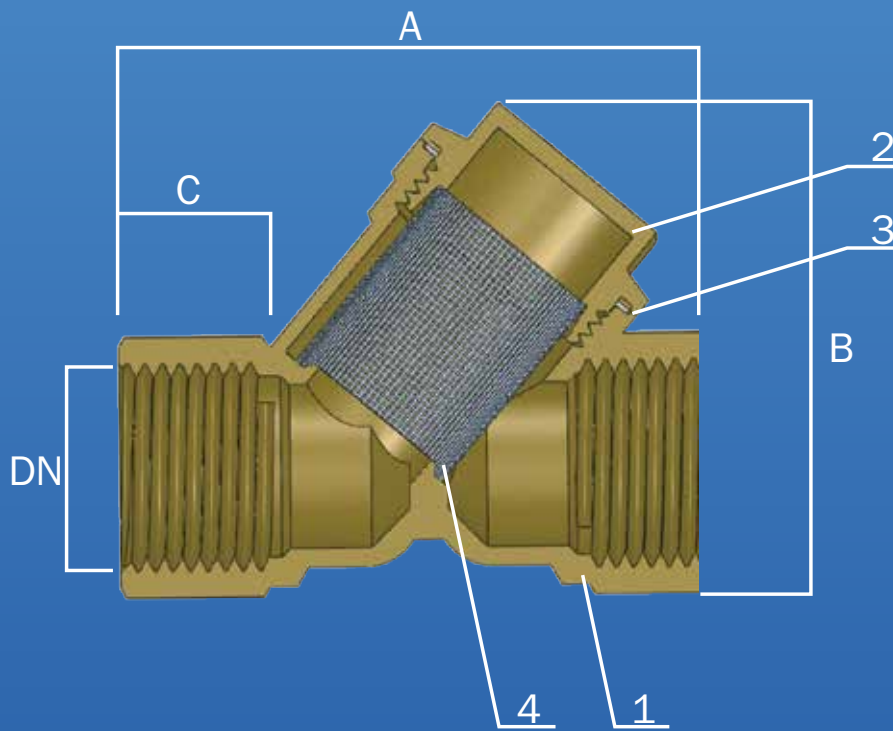


Austworld
PO Box 311
Ashmore City
QLD 4214

P: 1300 780 430
F: 1300 780 441
E: info@austworld.com.au
W: www.austworld.com.au



Y STRAINERS



Sizing Chart (MM)

Part	1/2"	3/4"	1"	1 1/4"	1 1/2"	2"
A	64	73	91	108	114.4	143
B	47.36	55.89	69.50	87.31	101.59	120.53
C	15.50	17	20.50	22.80	23	30

Material Chart

Number	Part	Material
1	Body	DR Brass
2	Cap	DR Brass
3	Washer	Fiber
4	Strainer	SS304